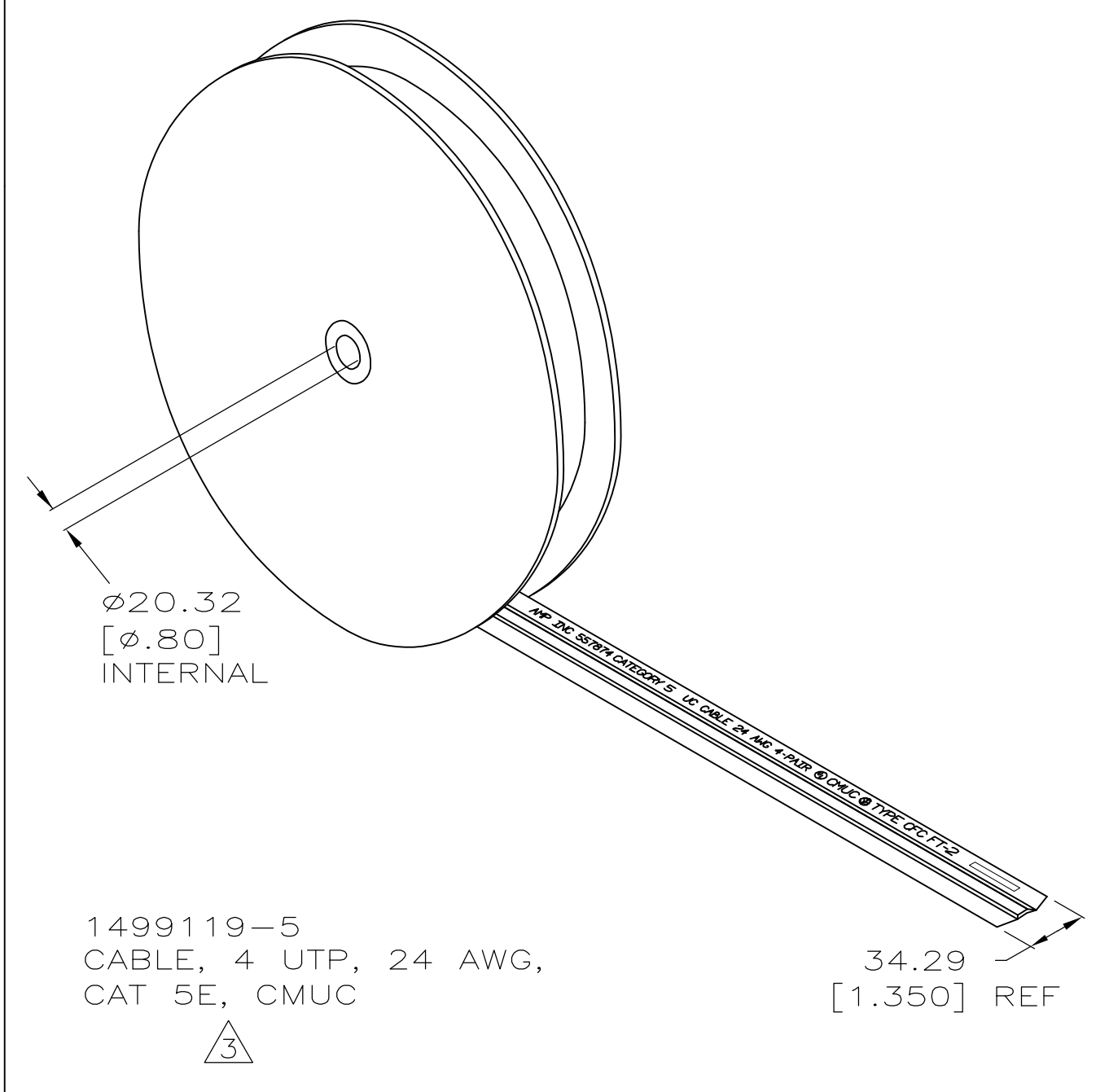
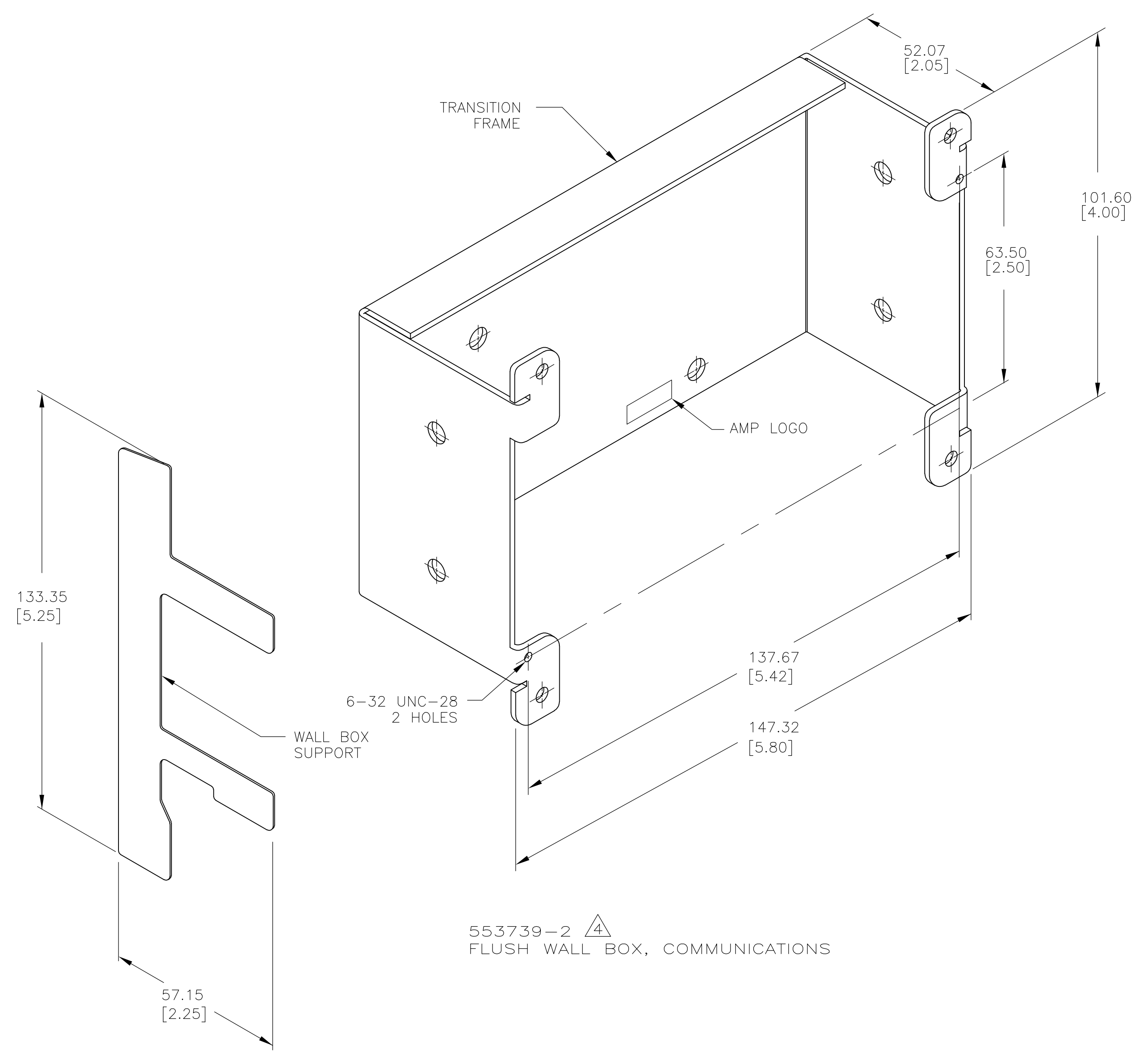
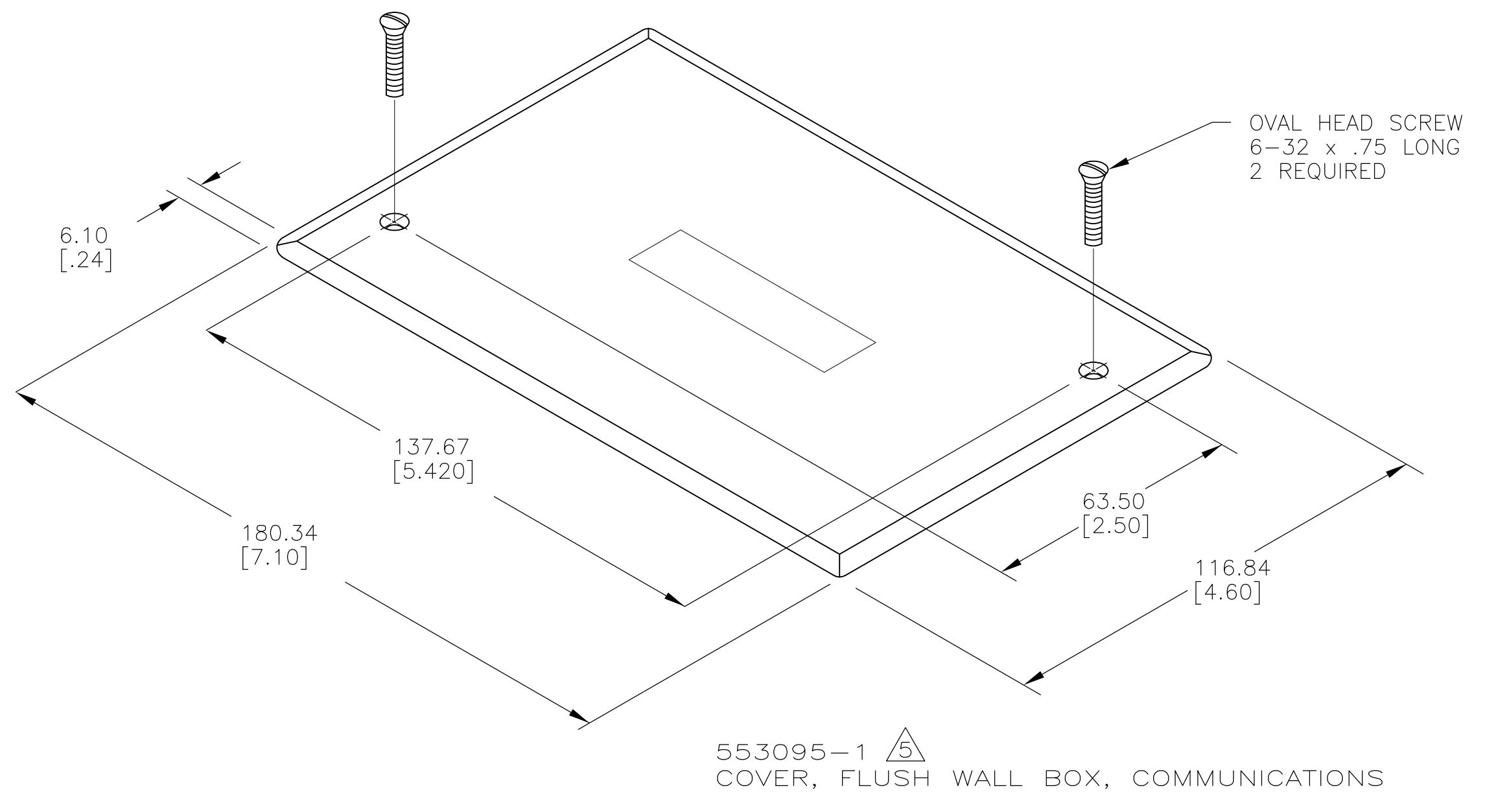


LOC	DIST	REVISIONS			
P	LR	DESCRIPTION	DATE	OWN	APPD
F2		REVISED PER ECO-12-008362	07MAY12	JB	JB



- 1 DIMENSIONS ARE FOR REFERENCE ONLY UNLESS OTHERWISE SPECIFIED.
- 2. KIT SHIPPED UNASSEMBLED
- 3 CATEGORY 5E CABLE:
OUTER JACKET-POLYVINYLCHORIDE, GRAY.
CONDUCTORS: COPPER, 24 AWG.
CONDUCTOR INSULATION: POLYETHELENE OR TEFLON, COLOR CODED.
- 4 FLUSH WALL BOX, COMMUNICATIONS:
FRAME AND SUPPORT- GALVANIZED CARBON STEEL.
- 5 FLUSH WALL BOX COVER COMMUNICATIONS:
COVER - CLEAR ANODIZED ALUMINUM ALLOY.
HARDWARE - ZINC PLATED STEEL.
- 6 FLUSH WALL BOX COVER:
COVER - POWDER COATED ALUMINUM ALLOY.
HARDWARE - ZINC PLATED STEEL.
- 7 FLUSH WALL BOX:
CARBON STEEL, PREGALVANIZED.
- 8 DATA KIT:
BRACKET - ABS, UL 94V-0 RATED.
HOUSING - POLYPHENYLENE OXIDE.
110 BLOCKS - POLYCARBONATE.
CONTACTS - GOLD OVER PHOSPHOROUS BRONZE.

(NOTES CONTINUED ON SHEET 2)

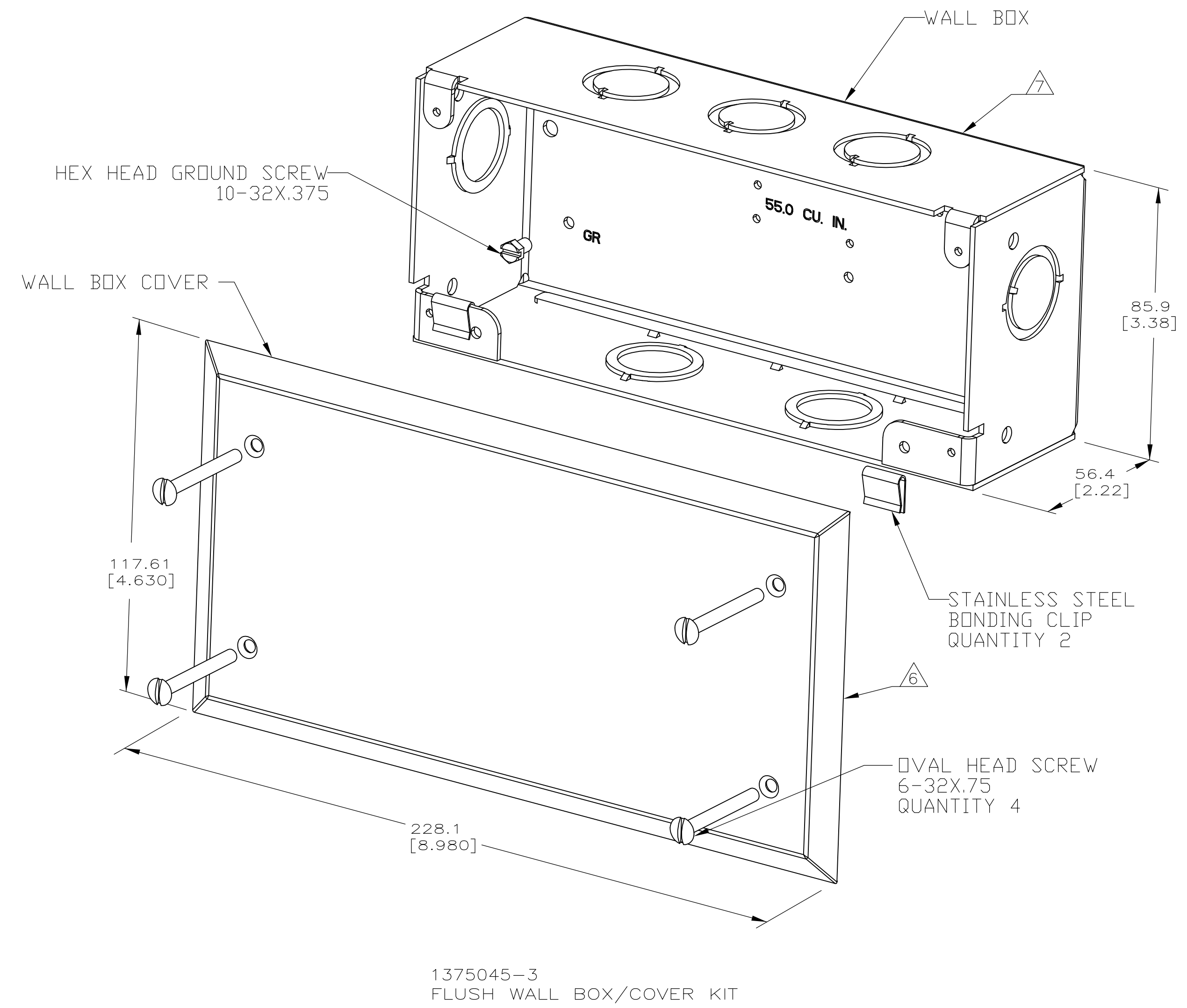
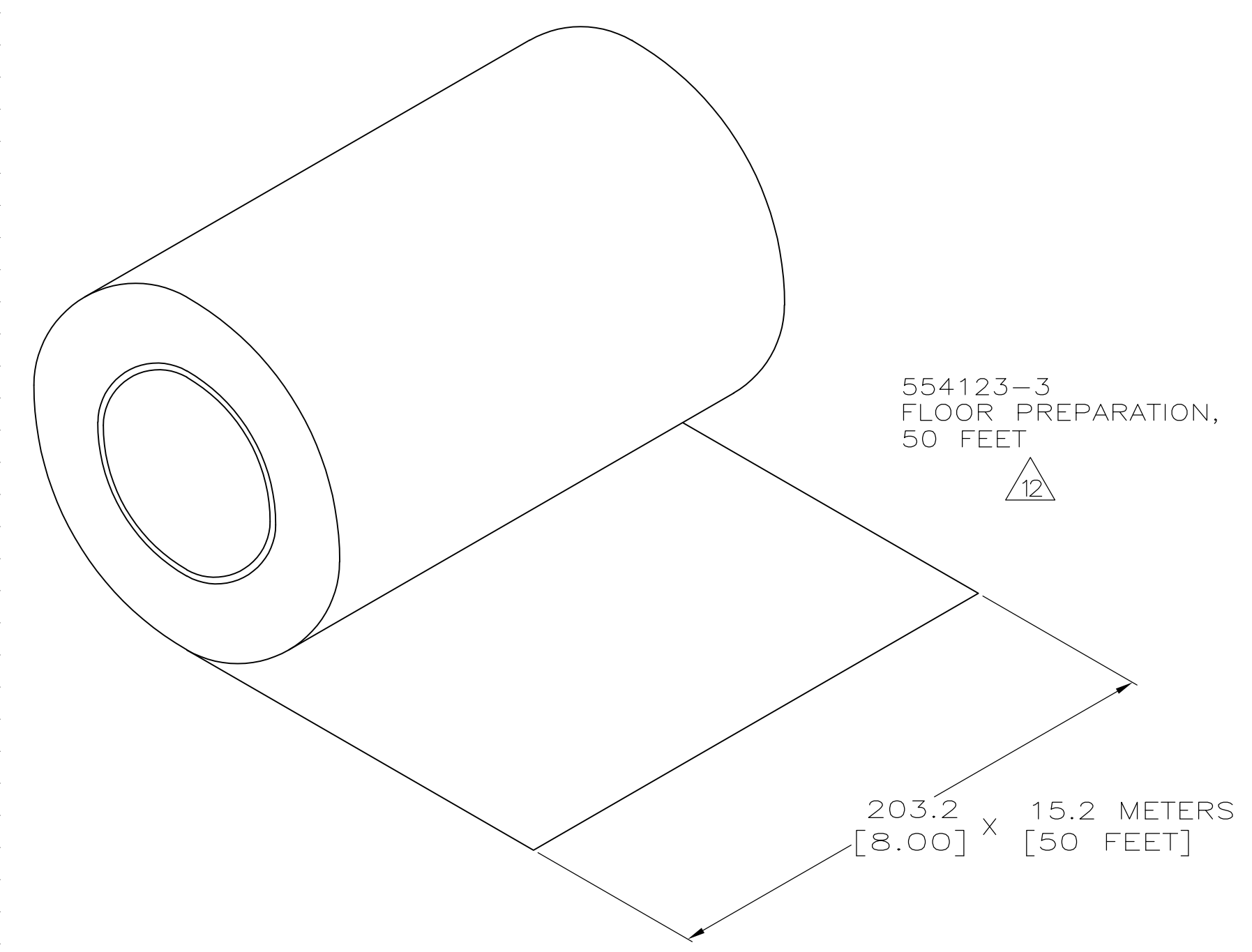


OBSOLETE

QTY	UNIT	DESCRIPTION	ITEM NO.
50'		A1 3-553239-3 FLAT WIRE, 5 COND, 12AWG	19
2		A1 553910-1 5C DCR ADAPTER, BLACK	18
2		A2 554186-1 5C DCR	17
-	1	A1 554142-1 FLOOR FITTING KIT	16
-	1	A1 554192-1 DUAL DUPLEX DCR	15
1	1	A2 555287-1 FLOOR FITTING KIT - 4 PORT	14
1	1	A3 6-553453-2 SPRAY ADHESIVE, CAN	13
50'	50'	A3 554123-3 FLOOR PREP	12
50'	50'	D 553536-3 TOP SHIELD	11
-	50'	A1 3-553079-3 FLAT WIRE, 3 COND, 12AWG, 50 FT EA	10
1	1	A1 554862-1 ASSY, POWER TRANSITION BLOCK	9
1	1	D 1375045-3 FLUSH WALL BOX/COVER KIT	7
4	2	A1 558054-1 KIT, DATA, 110 M/JK, EIA, CAT.5E	6
1	1	D 1479384-1 KIT, JUMPER BOARD, 110 BLOCK	5
1	1	A1 553095-1 KIT, COVER, WALL, FLUSH	4
1	1	D 553481-1 HOLD DOWN TAPE, ROLL	3
1	1	C 553739-2 KIT, FRAME, TRANS, FLUSH, WALL	2
100'	100'	D 1499119-5 CA,CAT5E,4UTP,24AWG,CMUC	1
1	-	DWG SIZE	1

THIS DRAWING IS A CONTROLLED DOCUMENT.

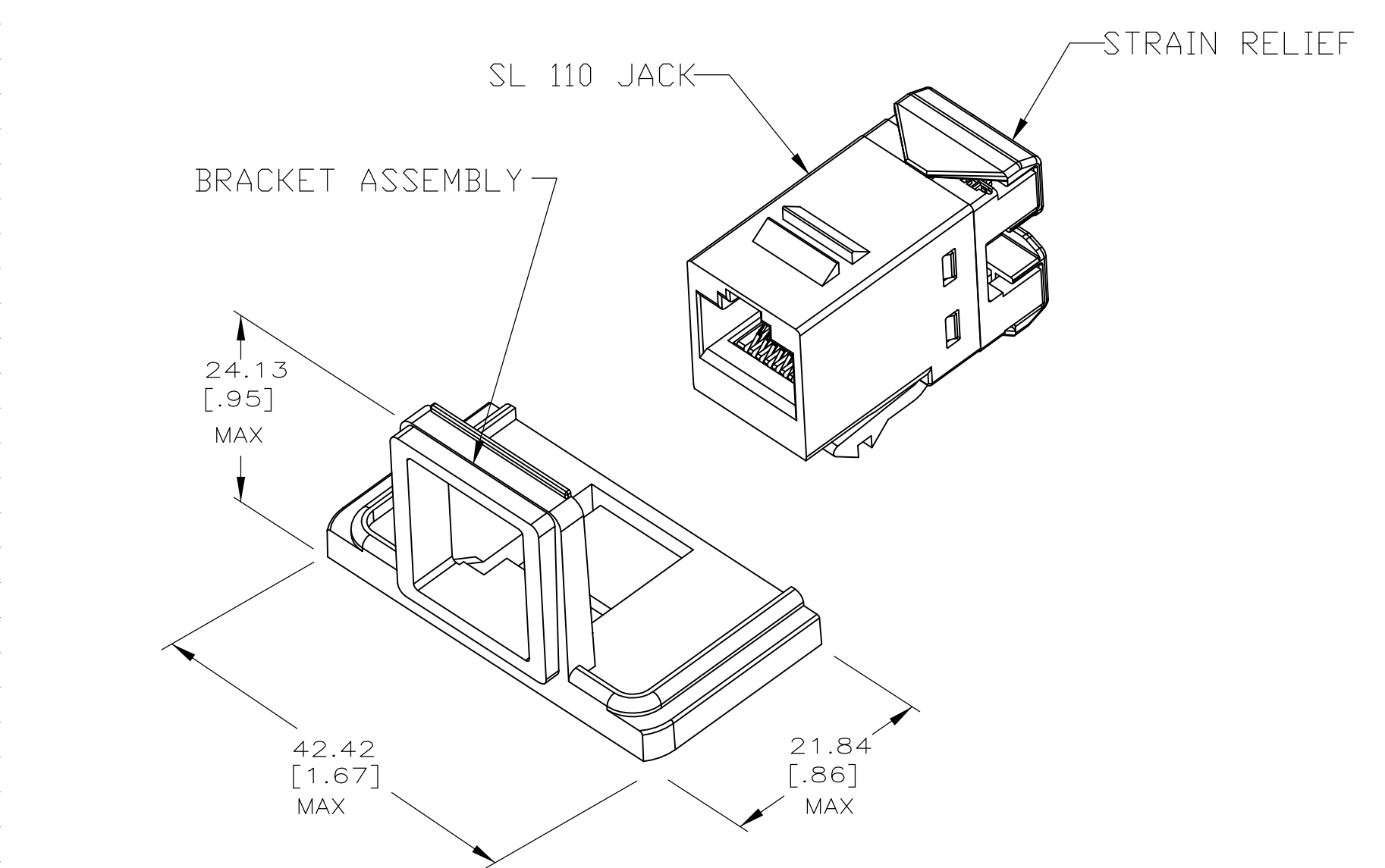
OWN: L. HALL	30JUL01	STE TE Connectivity
CHK: L. SMITH	27JUL01	
APVD: F. LINCOLN	30JUL01	NAME: CONFERENCE ROOM KIT, UNDERCARPET, CATEGORY 5E
DIMENSIONS: mm [INCHES]		PRODUCT SPEC: -
TOLERANCES UNLESS OTHERWISE SPECIFIED:		APPLICATION SPEC: -
0 PLC ± .1	1	SIZE: A1
2 PLC ± .1	1	CAGE CODE: 00779
3 PLC ± .1	1	DRAWING NO: 1479050
4 PLC ± .1	1	RESTRICTED TO: -
ANGLES ± .1	1	WEIGHT: -
MATERIAL: 3	THRU: 17	SCALE: NONE
FINISH: 3		SHEET 1 OF 4
CUSTOMER DRAWING		REV: F2



LOC	DIST	REVISIONS			
P	LR	DESCRIPTION	DATE	OWN	APVD
HM	00	SEE SHEET 1			

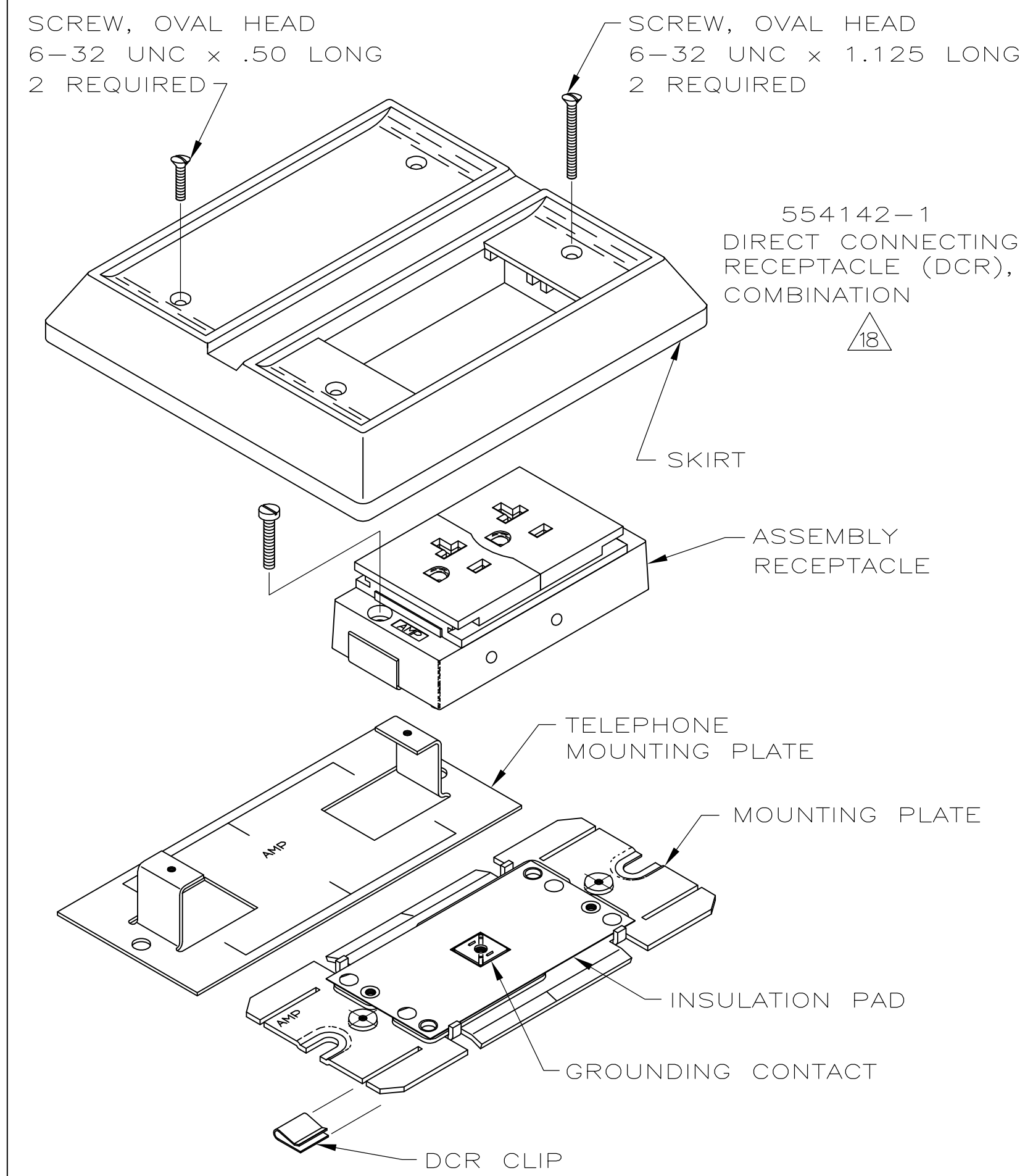
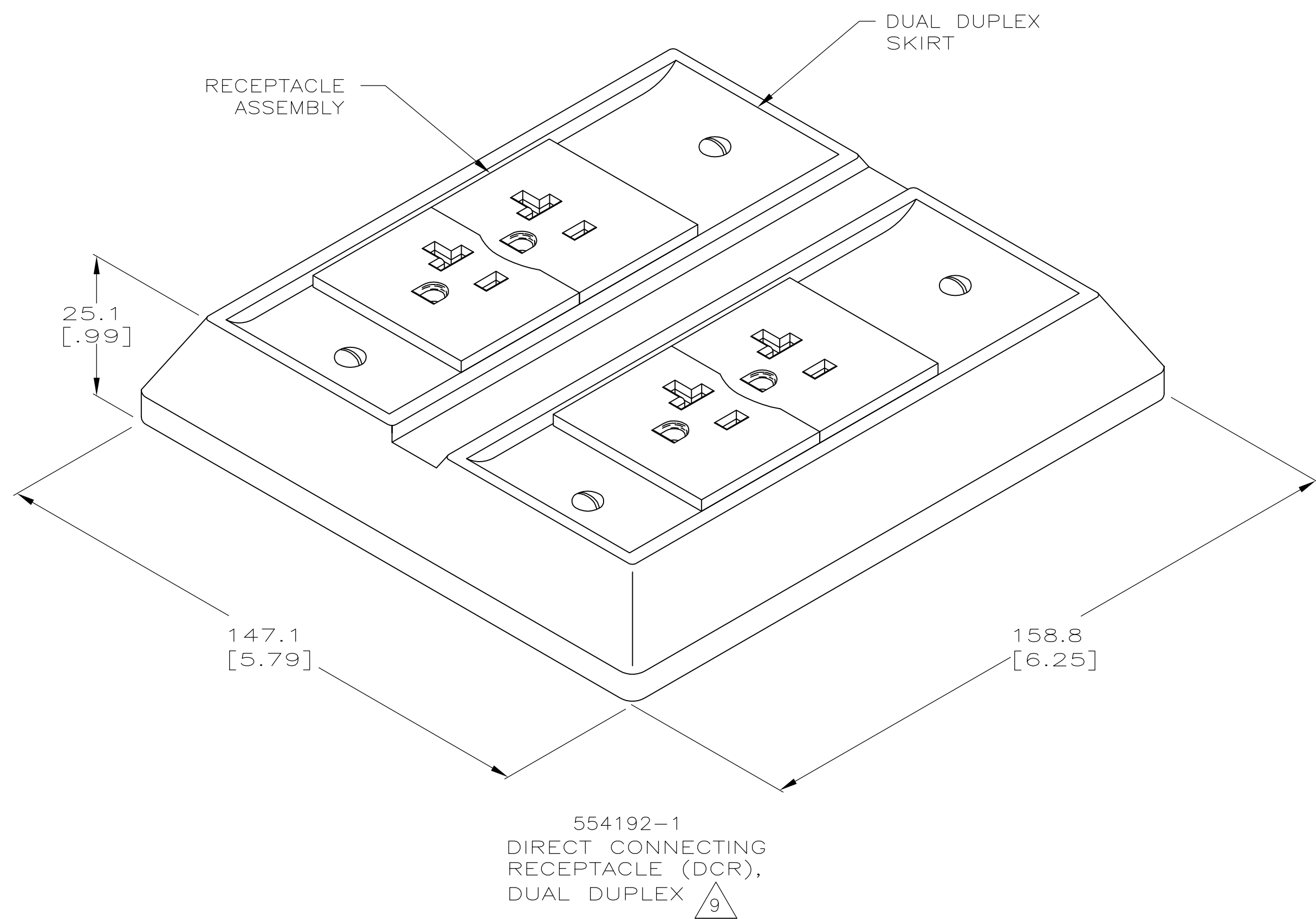
- 9 DUAL DUPLEX KIT, DIRECT CONNECTING RECEPTACLE: SKIRT - FLAME RETARDANT PLASTIC. RECEPTACLE - THERMOPLASTIC. HARDWARE - ZINC PLATED STEEL. TERMINALS AND GROUND DISC - COPPER ALLOY. INSULATION PAD - VULCANIZED FIBRE. MOUNTING PLATES - GALVANIZED CARBON STEEL. GND. CLIP - STAINLESS STEEL.
- 10 POWER TRANSITION BLOCK: UPPER ASSEMBLY - POLYESTER MOLDING COMPOUND. LOWER ASSEMBLY - CARBON STEEL, PREGALVANIZED, G90 PLATING. TERMINAL SCREWS - BRASS. ASSEMBLY SCREWS - ZINC PLATED STEEL. TERMINALS - COPPER ALLOY. WASHERS - FIBER.
- 11 CATEGORY 5E TRANSITION BLOCK: PRINTED CIRCUIT BOARD - LAMINATED PLASTIC SHEET, 1.57[.062] THICK. 110 BLOCK - POLYMER MOLDING COMPOUND, IVORY. TERMINALS - PHOSPHOR BRONZE PLATED WITH 3.81 μm[.000150] MINIMUM THICK TIN-LEAD OVER 1.27 μm[.000050] MINIMUM THICK NICKEL UNDERPLATE. MOUNTING TRACK - POLYMER MOLDING COMPOUND, BLACK.
- 12 FLOOR PREPARATION: POLYVINYL CHLORIDE SHEET, YELLOW, 0.25 [.010] THICK.
- 13 FLAT CABLE FILM - POLYESTER. CONDUCTORS - COPPER. SHIELD - POLYVINYL CHLORIDE.
- 14 MULTI-PURPOSE TAPE: ADHESIVE BACKED POLYETHYLENE COATED COTTON CLOTH, BLACK, 0.33 [.013] THICK

(NOTES CONTINUED ON SHEET 3)



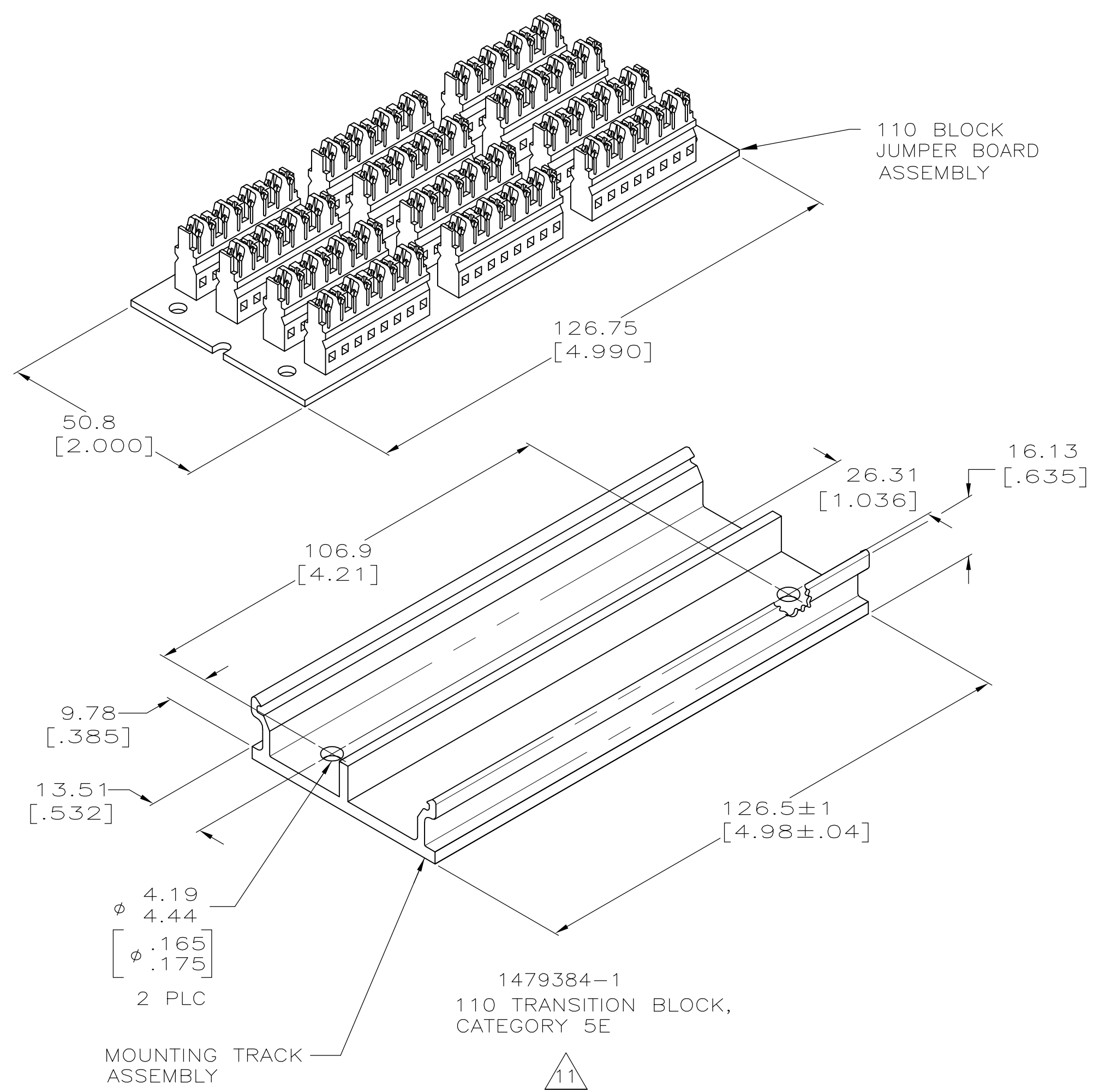
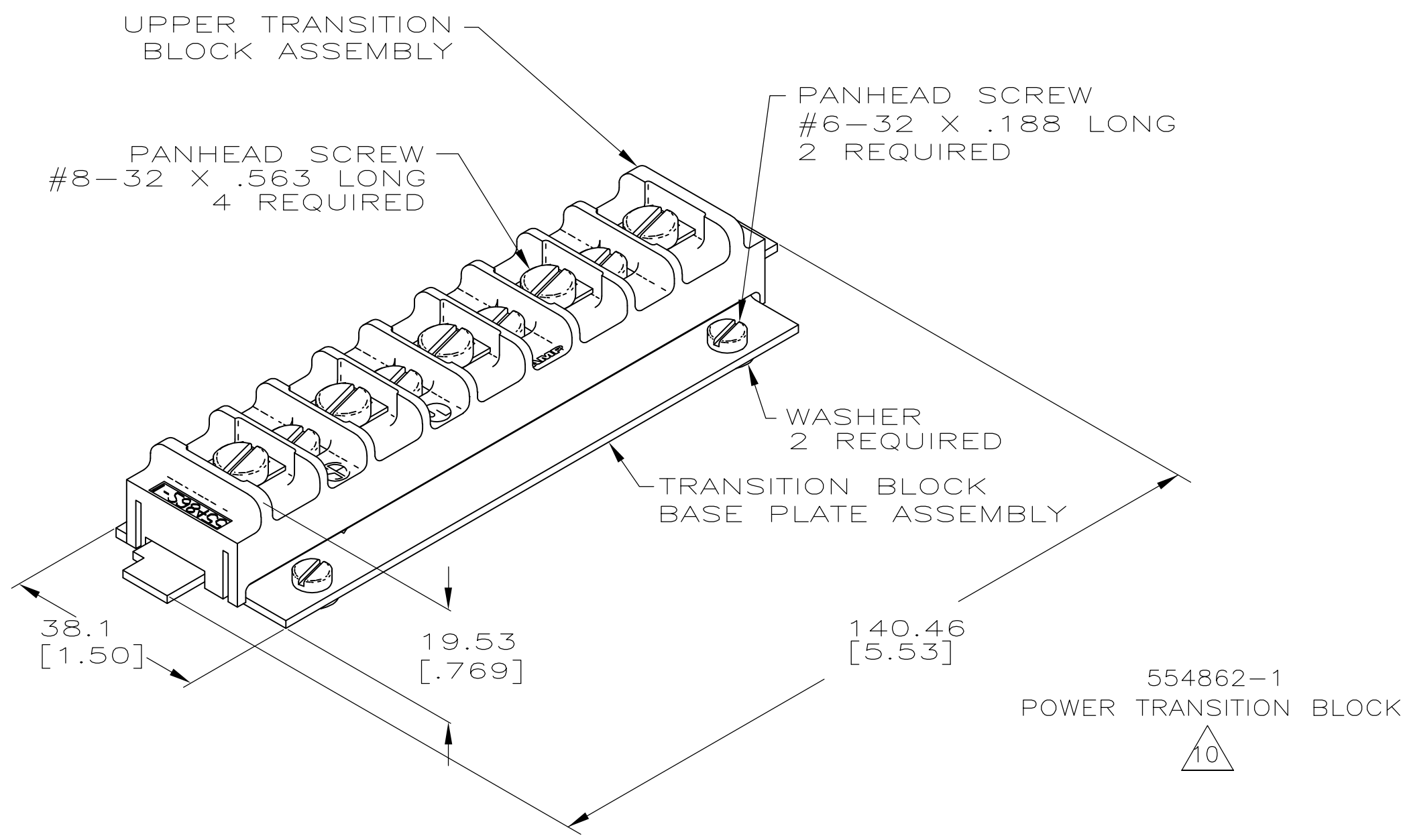
558054-1
DATA KIT, 110 JACK,
CATEGORY 5E

THIS DRAWING IS A CONTROLLED DOCUMENT.		OWN L. HALL 30JUL01	STE TE Connectivity	
DIMENSIONS: mm [INCHES]		CHK L. SMITH 27JUL01	KIT, POWER/DATA, UC	
TOLERANCES UNLESS OTHERWISE SPECIFIED:		APVD E. LINCOLN 30JUL01	PRODUCT SPEC	
0 PLC ± .1	1 PLC ± .1	APPLICATION SPEC		
2 PLC ± .1	3 PLC ± .1	MATERIAL		
4 PLC ± .1	ANGLES ± .1	FINISH		
MATERIAL		WEIGHT		RESTRICTED TO
CUSTOMER DRAWING		SCALE NONE	SHEET 2 OF 4	REV F2



LOC	DIST	REVISIONS			
P	LTR	DESCRIPTION	DATE	OWN	APVD
HM	00	SEE SHEET 1			

- $\triangle 15$ TOP SHIELD: STAINLESS STEEL, 0.25 [.010] THICK.
- $\triangle 16$ FLOOR PREPARATION ADHESIVE: 24 FLUID OUNCES.
- $\triangle 17$ FLOOR FITTING KIT, DUAL, BLANK, 4 PORT: SKIRT-FLAME RETARDANT PLASTIC. HARDWARE-ZINC OR BLACK OXIDE PLATED CARBON STEEL. MOUNTING PLATE-GALVANIZED CARBON STEEL.
- $\triangle 18$ FLOOR FITTING KIT: SKIRT - FLAME RETARDANT PLASTIC. RECEPTACLE - THERMOPLASTIC. HARDWARE - ZINC PLATED STEEL. TERMINALS AND GROUND DISC - COPPER ALLOY. INSULATION PAD - VULCANIZED FIBRE. MOUNTING PLATES - GALVANIZED CARBON STEEL. DCR CLIP - STAINLESS STEEL.

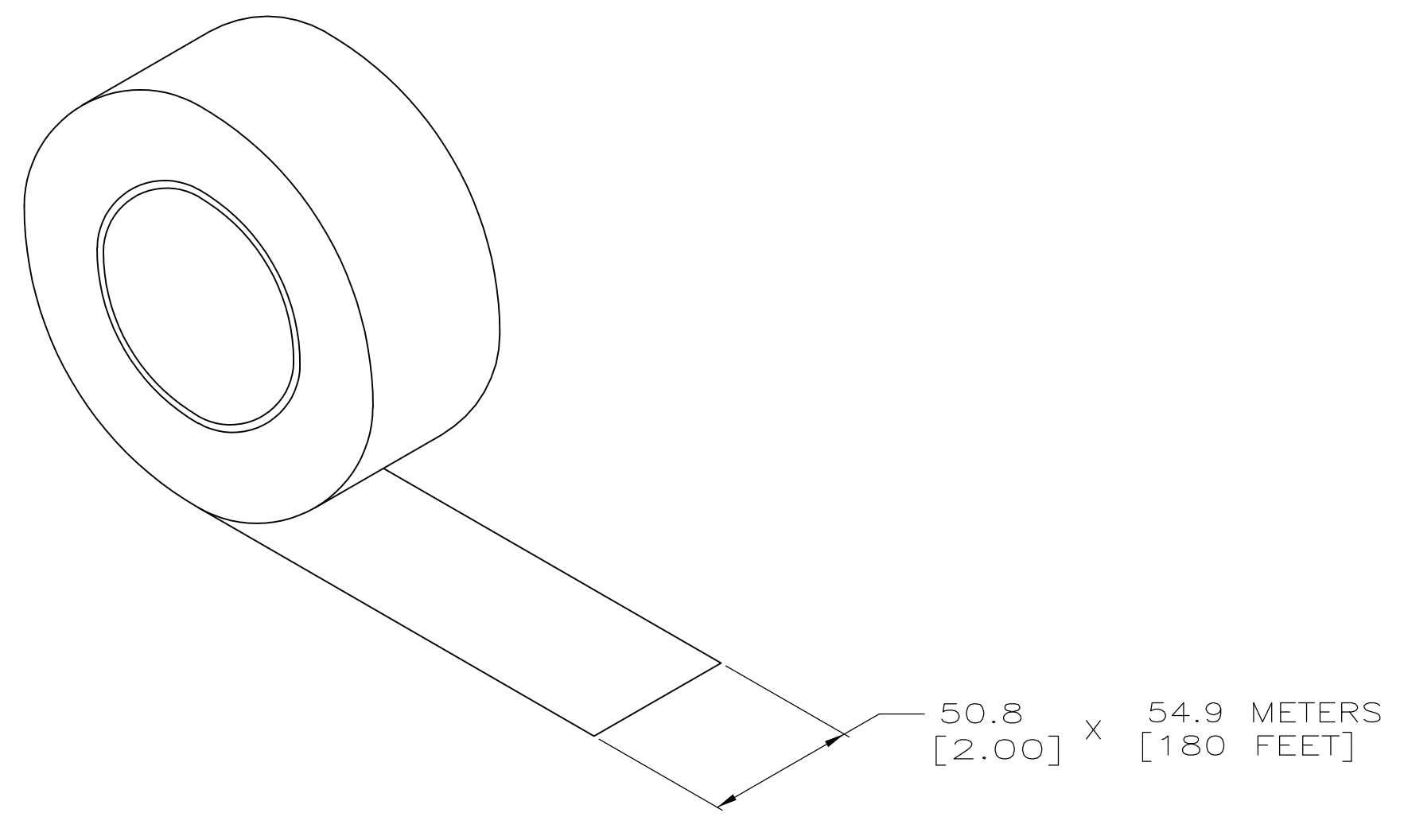


THIS DRAWING IS A CONTROLLED DOCUMENT.

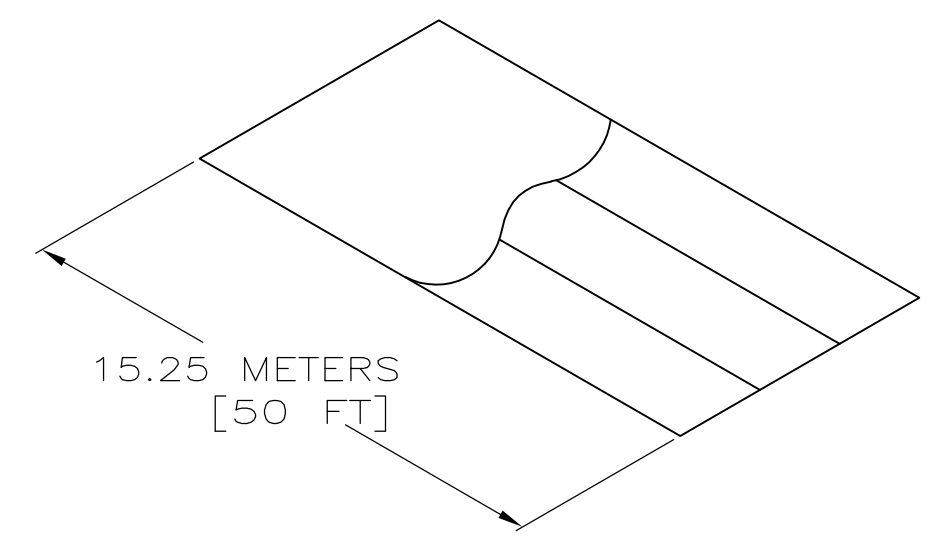
OWN: L. HALL 30JUL01	 TE Connectivity	NAME: KIT, POWER/DATA, UC
CHK: L. SMITH 27JUL01		PRODUCT SPEC: -
APVD: F. LINCOLN 30JUL01		APPLICATION SPEC: -
		WEIGHT: -
DIMENSIONS: mm [INCHES]	TOLERANCES UNLESS OTHERWISE SPECIFIED:	SIZE: A1
0 PLC ± -	$\triangle 1$	CAGE CODE: 00779
1 PLC ± -		DRAWING NO: 1479050
2 PLC ± -		RESTRICTED TO: -
3 PLC ± -		SCALE: NONE
4 PLC ± -		SHEET 3 OF 4
ANGLES ± -		REV F2
MATERIAL: -	FINISH: -	CUSTOMER DRAWING

LOC		DIST		REVISIONS			
P	LR	DESCRIPTION	DATE	OWN	APVD		
-	-	SEE SHEET 1	-	-	-		

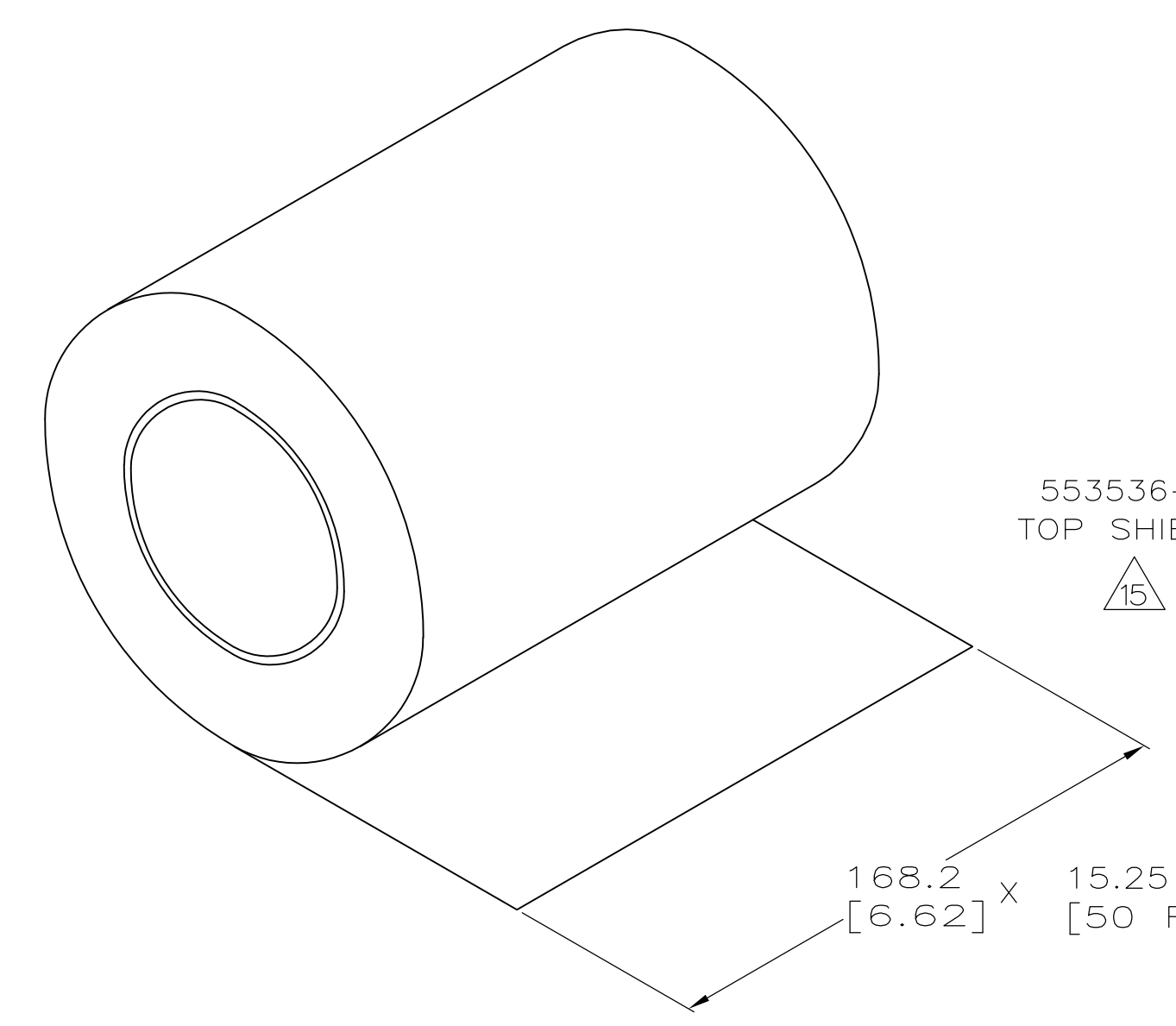
THIS DRAWING IS UNPUBLISHED. RELEASED FOR PUBLICATION. ALL RIGHTS RESERVED.



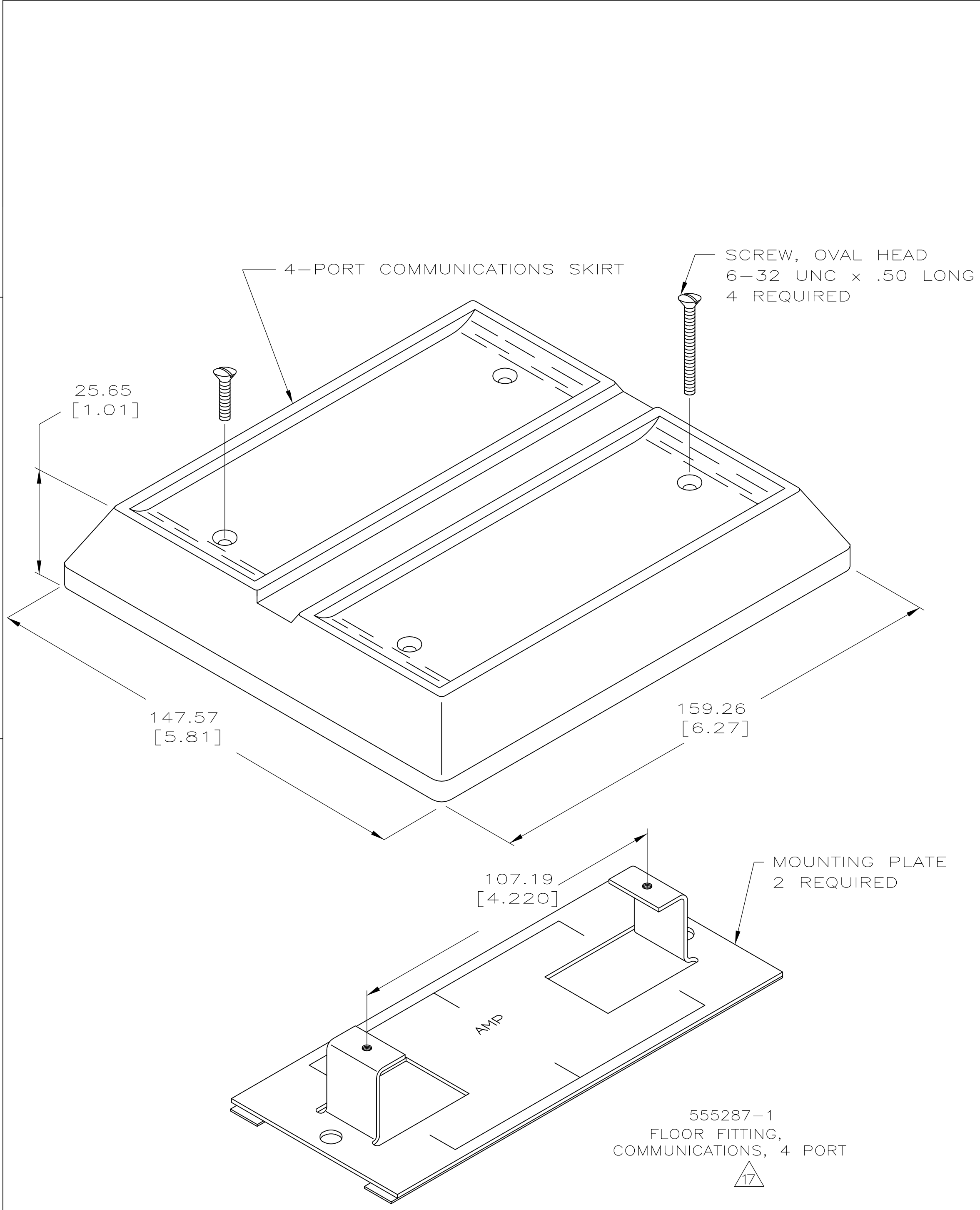
553481-1 HOLD DOWN TAPE, ROLL



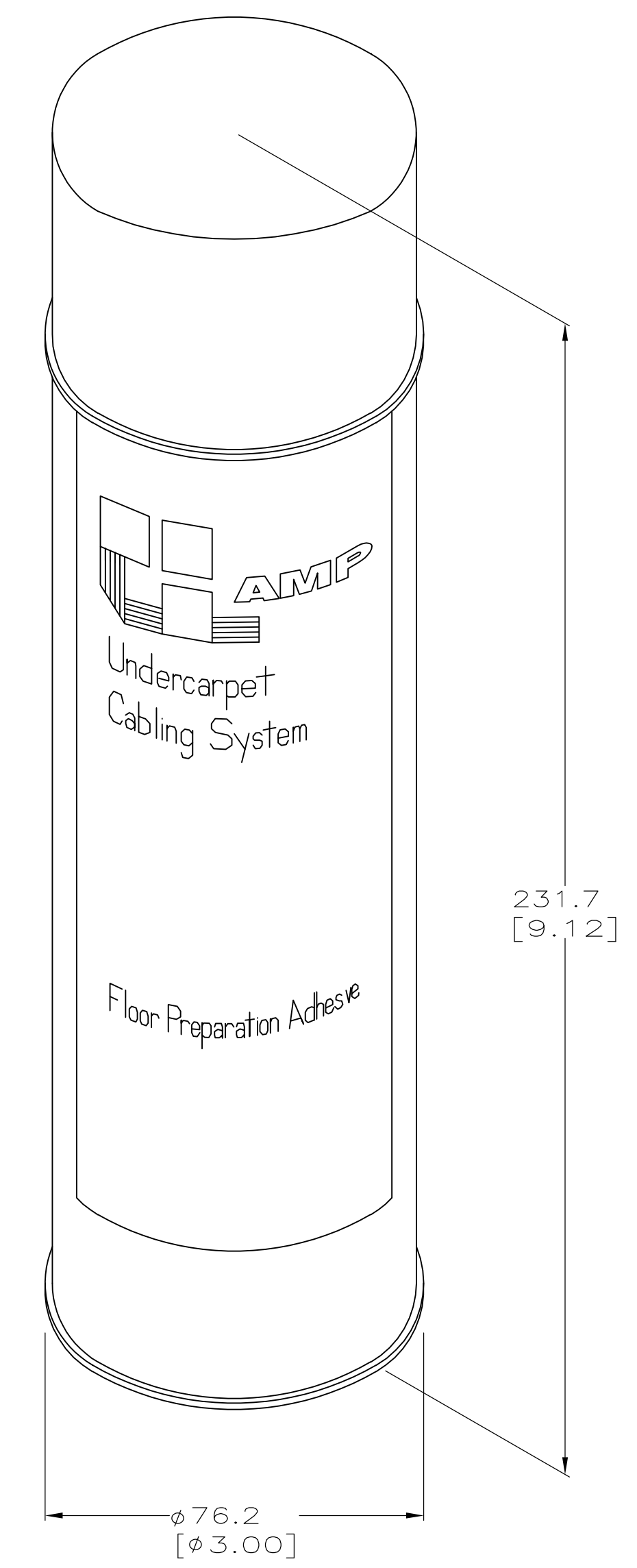
3-553079-3 FLAT CONDUCTOR CABLE (TYPE FCC), 3 CONDUCTOR, 12 AWG



553536-3 TOP SHIELD



555287-1 FLOOR FITTING, COMMUNICATIONS, 4 PORT



6-553453-2 SPRAY ADHESIVE CAN

THIS DRAWING IS A CONTROLLED DOCUMENT.		OWN: L. HALL 30JUL01	TE Connectivity
		CHK: L. SMITH 27JUL01	
DIMENSIONS: mm [INCHES]		APVD: F. LINCOLN 30JUL01	NAME: KIT, POWER/DATA, UC
TOLERANCES UNLESS OTHERWISE SPECIFIED:		PRODUCT SPEC	SIZE: A1
0 PLC	± .1	APPLICATION SPEC	CAGE CODE: 00779
1 PLC	± .1		DRAWING NO: 1479050
2 PLC	± .1		RESTRICTED TO:
3 PLC	± .1		SCALE: NONE
4 PLC	± .1		SHEET 4 OF 4
ANGLES	± .1		REV F2
MATERIAL:	FINISH:	WEIGHT:	CUSTOMER DRAWING