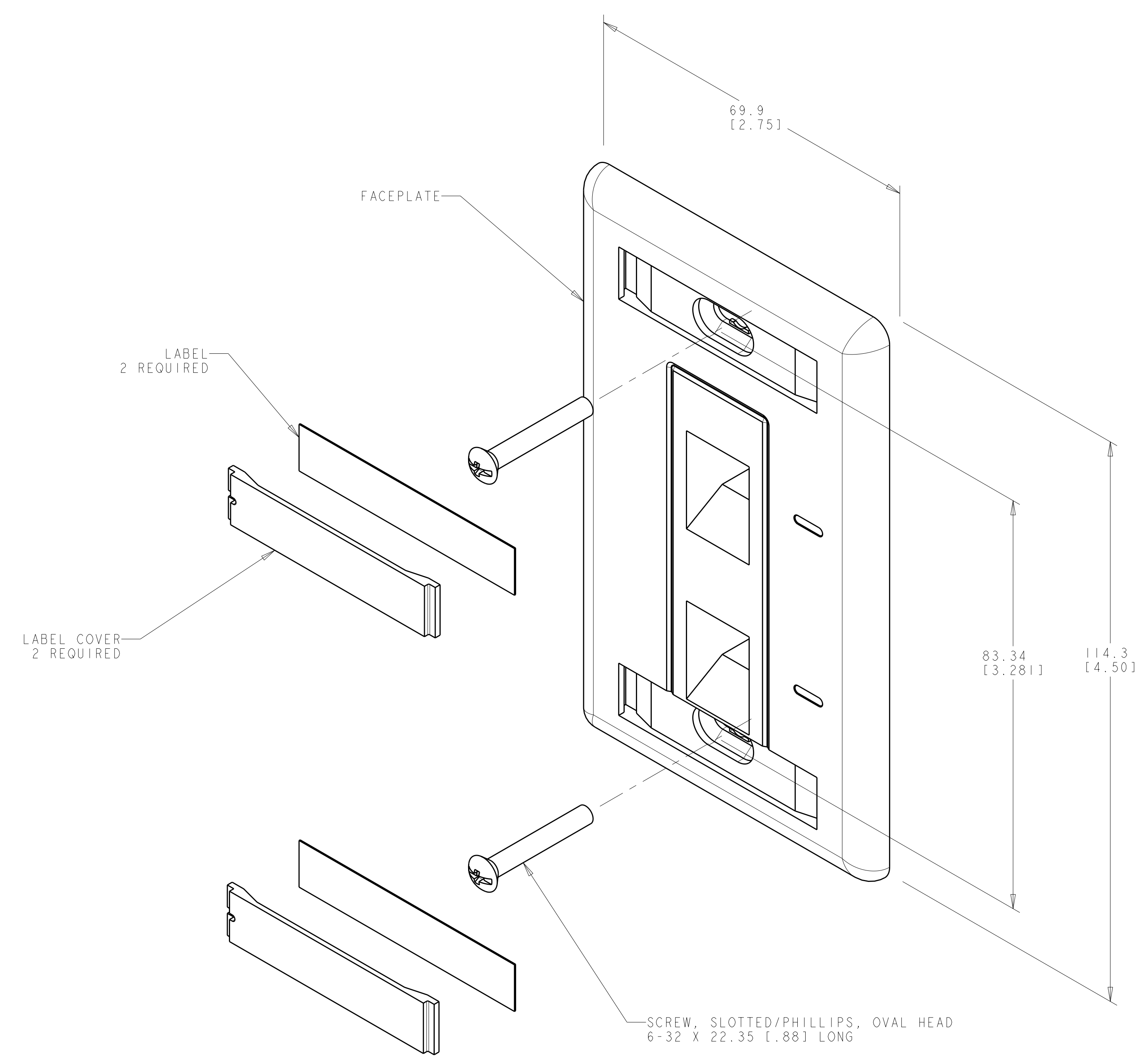


LOC	DIST	REVISIONS			
REV	LTG	DESCRIPTION	DATE	DWN	APVD
B		REV ECO-11-000935	14JAN2011	LH	RA
C		REV ECO-11-010380	20MAY2011	LH	RA

1. MATERIAL: FACEPLATE - POLYCARBONATE MOLDING COMPOUND.
 SEE TABLE FOR COLOR.
 LABEL COVER - POLYCARBONATE MOLDING COMPOUND, CLEAR.
 LABEL - WHITE INDEX PAPER.
 SCREW - ZINC PLATED CARBON STEEL.
 2. THIS KIT SHIPPED NOT ASSEMBLED.



1-1375155-3	ALPINE WHITE
1-1375155-1	ELECTRIC IVORY
1375155-4	NEMA GRAY
1375155-3	WHITE
1375155-2	BLACK
1375155-1	LIGHT ALMOND
PART NO	COLOR

THIS DRAWING IS A CONTROLLED DOCUMENT.

DIMENSIONS: MM [INCHES]	TOLERANCES UNLESS OTHERWISE SPECIFIED:	0 PLC ±	1 PLC ±	2 PLC ±	3 PLC ±	4 PLC ±	ANGLES ±	FINISH
		0.25	0.25	0.25	0.25	0.25	0.25	

OWN: T. PITTS	DATE: 07FEB02	TE Connectivity
CHK: L. SMITH	DATE: 03MAY02	
APVD: G. ROWMAN	DATE: 03MAY02	NAME: KIT, FACEPLATE, ANGLED, 2 PORT
PRODUCT SPEC		SIZE: CAGE CODE DRAWING NO
APPLICATION SPEC		RESTRICTED TO
408-3282		A100779C=1375155
WEIGHT		SCALE: 2:1 SHEET 1 OF 1 REV C
CUSTOMER DRAWING		