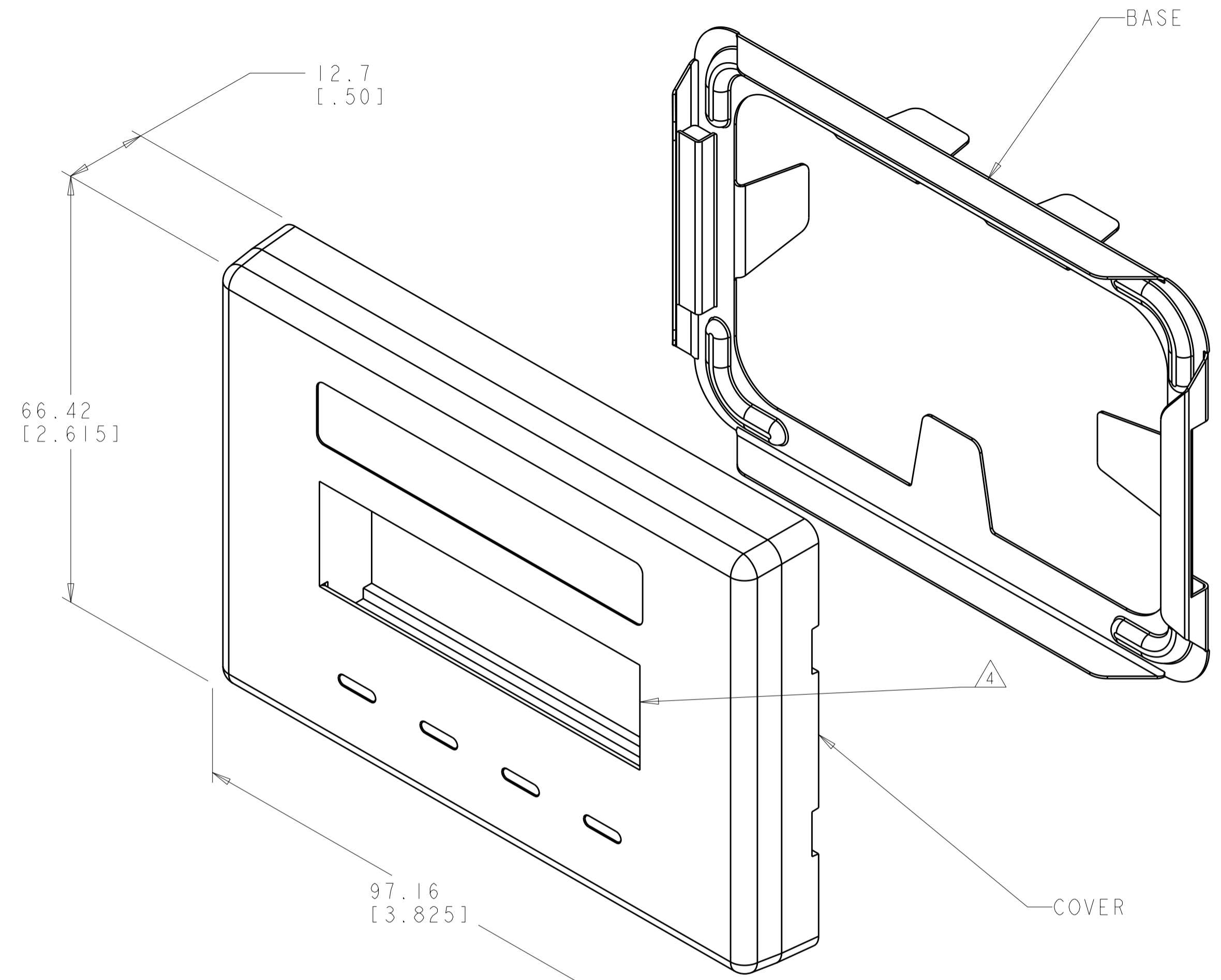
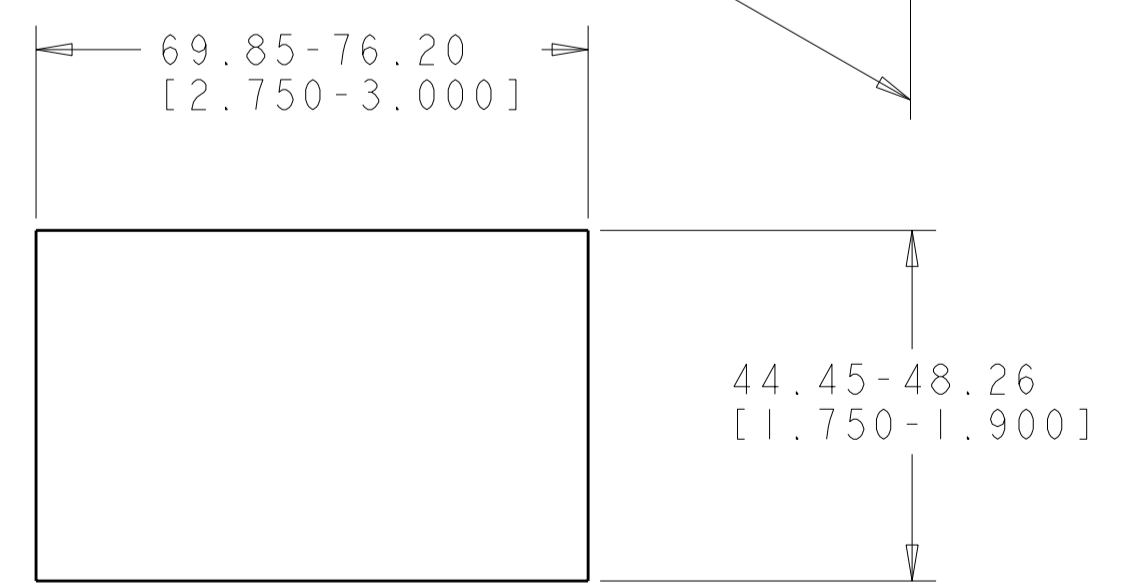


THIS DRAWING IS UNPUBLISHED. RELEASED FOR PUBLICATION 20  
 © COPYRIGHT 20 BY TYCO ELECTRONICS CORPORATION. ALL RIGHTS RESERVED.

LOC	DIST	REVISIONS					
HM	00	P	LTR	DESCRIPTION	DATE	DWN	APVD
		O		REV; 0B40-0197-00	23AUG2000	LH	GB
		A		OBS REV ECO-09-011005	04AUG2009	LH	RA
		B		REV; ECO-10-004833	08MAR2010	GG	RA
		C		REV ECO-10-011451	01JUN2010	LH	RA



- 1. MATERIAL: COVER - ABS MOLDING COMPOUND, SEE TABLE FOR COLOR. BASE - GALVANIZED CARBON STEEL.
- 2. KIT SHIPPED UNASSEMBLED.
- 3. DIMENSIONS SHOWN ARE NOMINAL UNLESS OTHERWISE SPECIFIED.
- 4. COVER WILL ACCEPT A COMBINATION OF FOUR SL TOOLLESS JACKS, MT-RJ FIBER OPTIC JACKS OR MULTIMEDIA INSERTS.
- 5. REFER TO INSTRUCTION SHEET 408-8397 FOR INSTALLATION PROCEDURES.



SUGGESTED PANEL CUTOUT

NEMA GRAY	1375006-4
WHITE	1375006-3
BLACK	1375006-2
LT ALMOND	1375006-1
COLOR	PART NUMBER

THIS DRAWING IS A CONTROLLED DOCUMENT FOR TYCO ELECTRONICS CORPORATION. IT IS SUBJECT TO CHANGE AND THE CONTROLLING ENGINEERING ORGANIZATION SHOULD BE CONTACTED FOR THE LATEST REVISION.		DWN L. HALL 23AUG2000	Tyco Electronics Harrisburg, PA 17105-3608	
DIMENSIONS: mm [ INCHES ]		CHK G. BOWMAN 23AUG2000	NAME ASSEMBLY, FURNITURE OUTLET, LARGE BASE	
TOLERANCES UNLESS OTHERWISE SPECIFIED: 0 PLC ± 1 PLC ± 2 PLC ± 3 PLC ± 4 PLC ± ANGLES ± FINISH ±		APVD G. BOWMAN 23AUG2000	RESTRICTED TO	
MATERIAL		PRODUCT SPEC	SIZE A2	CAGE CODE 00779
		APPLICATION SPEC 408-8397	DRAWING NO 1375006	REV C
		WEIGHT	SCALE 2:1 SHEET 1 OF 1	
		CUSTOMER DRAWING		