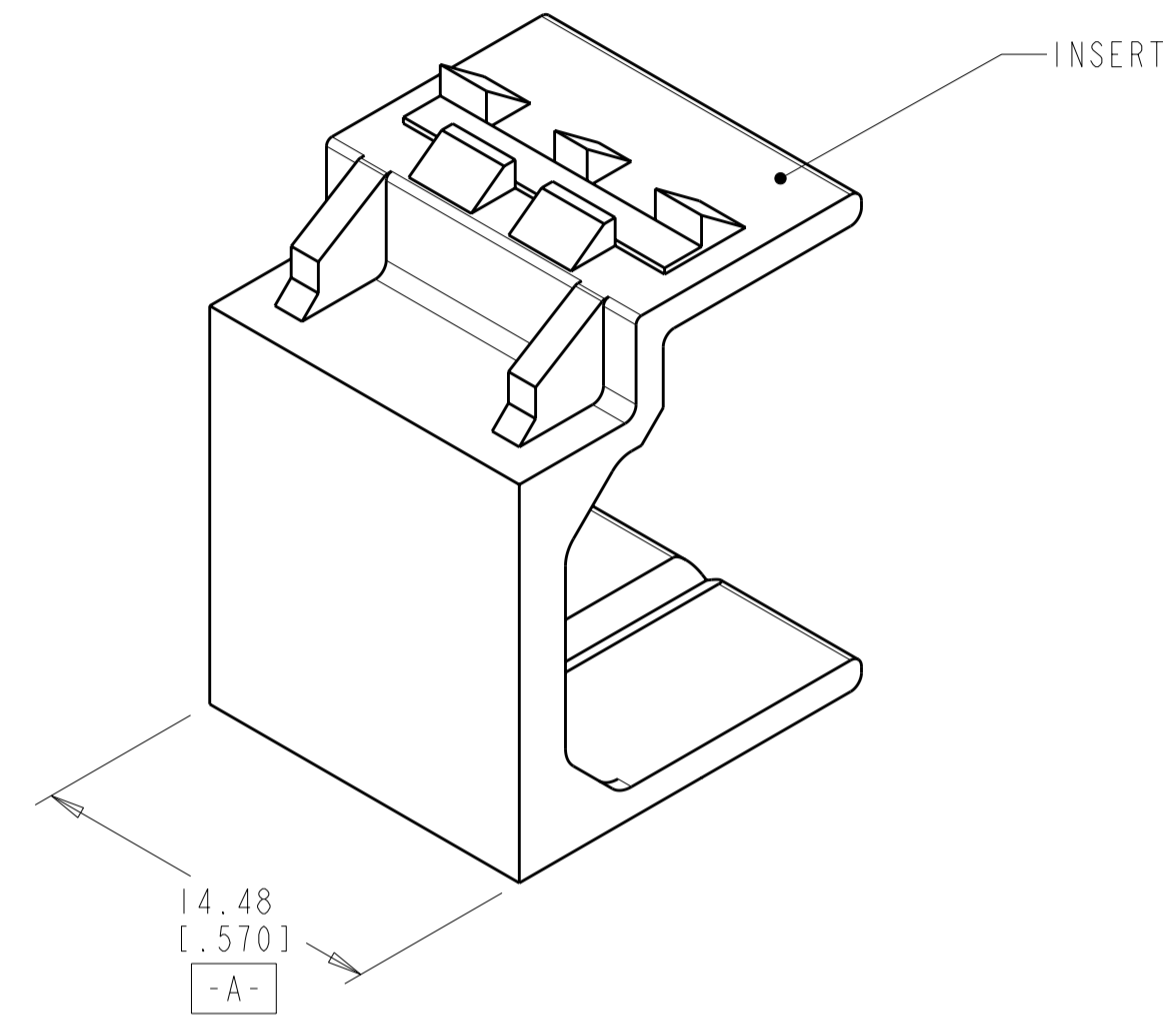


THIS DRAWING IS UNPUBLISHED. RELEASED FOR PUBLICATION
 © COPYRIGHT 20 BY TYCO ELECTRONICS CORPORATION. ALL INTERNATIONAL RIGHTS RESERVED.

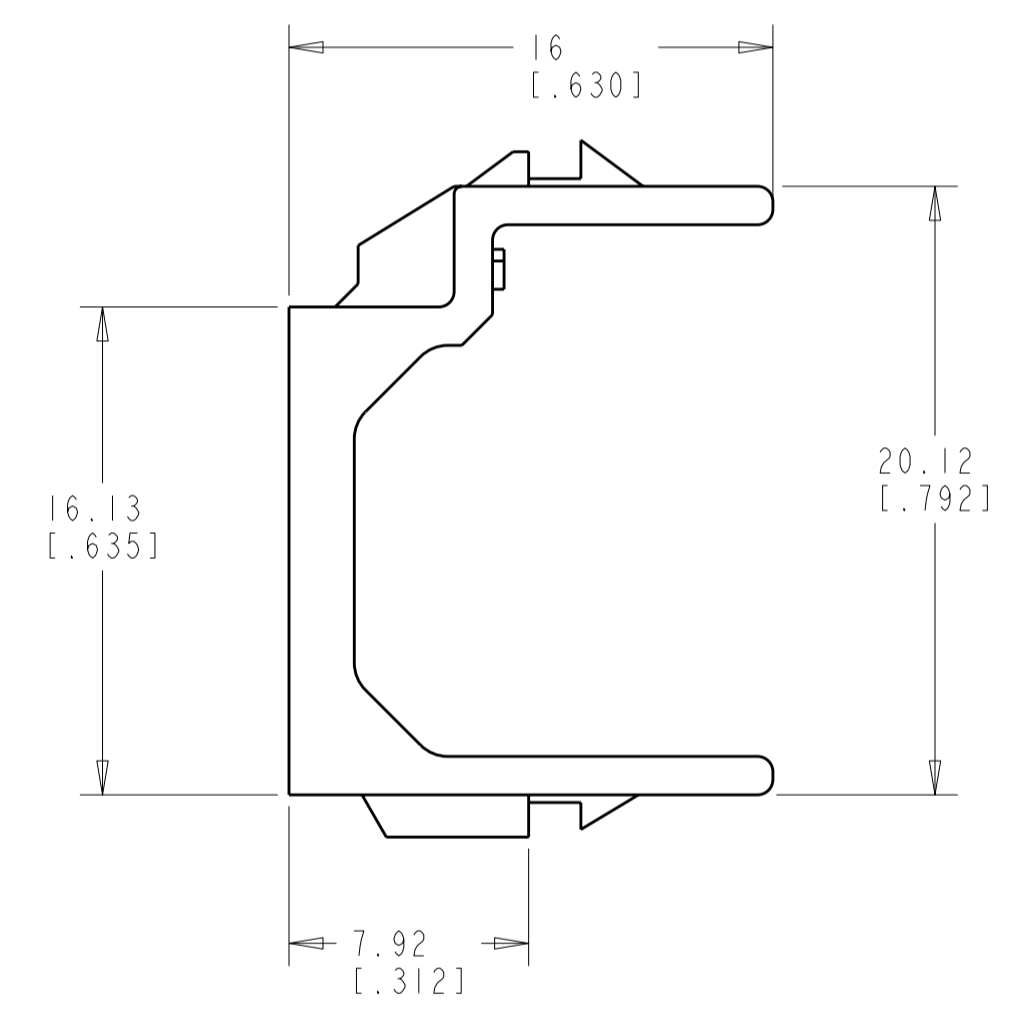
LOC	DIST	REVISIONS					
		P	LTR	DESCRIPTION	DATE	DWN	APVD
HM	00		A	REV; EC 0B40-0083-01	18MAY01	LH	GB
			B	REV; ECO-09-016916	22JULY09	JB	RA
			C	REV; ECO-10-003464	18FEB2010	GG	RA
			D	REV; ECO-10-010362	04JUN2010	GG	RA

1. MATERIAL:
 INSERT: POLYCARBONATE MOLDING COMPOUND.
 SEE TABLE FOR COLOR.

2. DIMENSIONS SHOWN FOR REFERENCE ONLY.



SCALE 4:1



ALPINE WHITE	1-1116412-3
ELEC IVORY	1-1116412-1
NEMA GRAY	1116412-4
WHITE	1116412-3
BLACK	1116412-2
LT ALMOND	1116412-1
COLOR	PART NO

THIS DRAWING IS A CONTROLLED DOCUMENT FOR TYCO ELECTRONICS CORPORATION. IT IS SUBJECT TO CHANGE AND THE CONTROLLING ENGINEERING ORGANIZATION SHOULD BE CONTACTED FOR THE LATEST REVISION.		DWN T. PITTS 15SEP99	Tyco Electronics Harrisburg, PA 17105-3608	
DIMENSIONS: mm [INCHES]		CHK R. MARTIN 18NOV99	NAME INSERT, BLANK, TOOL-LESS, SL SERIES	
TOLERANCES UNLESS OTHERWISE SPECIFIED: 0 PLC ± 1 PLC ± 2 PLC ±.13 [.005] 3 PLC ± 4 PLC ± ANGLES ± FINISH		APVD R. MARTIN 09DEC99	PRODUCT SPEC -	
MATERIAL		APPLICATION SPEC -	SIZE A2	CAGE CODE 00779
CUSTOMER DRAWING		WEIGHT -	DRAWING NO C-1116412	RESTRICTED TO -
		SCALE 4:1	SHEET 1	REV D