

4

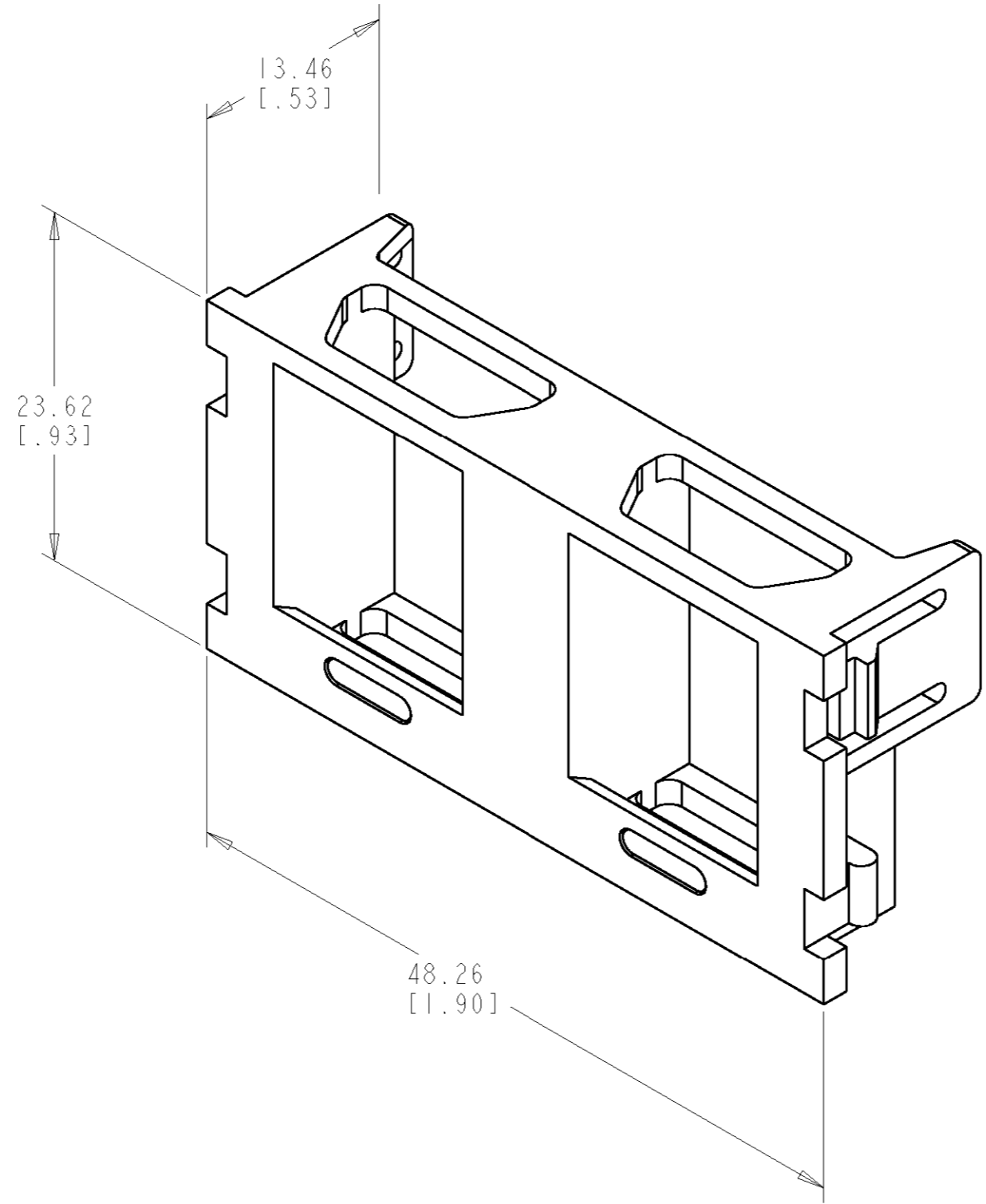
3

2

1

THIS DRAWING IS UNPUBLISHED. RELEASED FOR PUBLICATION
 © COPYRIGHT 19 BY TYCO ELECTRONICS CORPORATION. ALL RIGHTS RESERVED.

LOC	DIST	REVISIONS					
		P	LTR	DESCRIPTION	DATE	DWN	APVD
HM	00		O	RELEASED, NPR PT99-006	14SEP99	TLP	RM
			A	REV; EC 0B40-0073-00	20MAR00	GG	GB
			B	REV; EC 0B40-0208-00	30APR2001	GG	GB
			C	REV; EC 0B40-0077-01	30APR01	LH	GB



- 1 MATERIAL:
MODULE: ABS MOLDING COMPOUND.
SEE TABLE FOR COLOR.
- 2 DIMENSIONS ARE NOMINAL UNLESS OTHERWISE SPECIFIED.
- 3. MODULE WILL ACCEPT 110 CONNECT AND SL SERIES TOOLLESS MODULAR JACKS AND INSERTS.
- 4. REFER TO INSTRUCTION SHEET 408-8398 FOR INSTALLATION PROCEDURES.

ELEC IVORY	1-1116409-1
NEMA GRAY	1116409-4
WHITE	1116409-3
BLACK	1116409-2
LT ALMOND	1116409-1
COLOR	PART NO

THIS DRAWING IS A CONTROLLED DOCUMENT FOR TYCO ELECTRONICS CORPORATION. IT IS SUBJECT TO CHANGE AND THE CONTROLLING ENGINEERING ORGANIZATION SHOULD BE CONTACTED FOR THE LATEST REVISION.		DWN I. PITTS 14SEP99	AMP Incorporated Harrisburg, PA 17105-3608																			
DIMENSIONS: mm (INCHES)		CHK R. MARTIN 10NOV99	NAME MODULE, TWO PORT, 1 UNIT HIGH, SL SERIES																			
TOLERANCES UNLESS OTHERWISE SPECIFIED:		APVD R. MARTIN 09DEC99																				
<table border="1"> <tr><td>0 PLC</td><td>±</td><td></td></tr> <tr><td>1 PLC</td><td>±</td><td>2</td></tr> <tr><td>2 PLC</td><td>±</td><td></td></tr> <tr><td>3 PLC</td><td>±</td><td></td></tr> <tr><td>4 PLC</td><td>±</td><td></td></tr> <tr><td>ANGLES</td><td>±</td><td></td></tr> </table>		0 PLC	±		1 PLC	±	2	2 PLC	±		3 PLC	±		4 PLC	±		ANGLES	±		PRODUCT SPEC -	SIZE A2	CAGE CODE 00779
0 PLC	±																					
1 PLC	±	2																				
2 PLC	±																					
3 PLC	±																					
4 PLC	±																					
ANGLES	±																					
MATERIAL -		APPLICATION SPEC -	DRAWING NO 1116409	RESTRICTED TO -																		
FINISH -		WEIGHT -	SCALE 3:1 SHEET 1 OF 1 REV C																			
		CUSTOMER DRAWING																				