

4

3

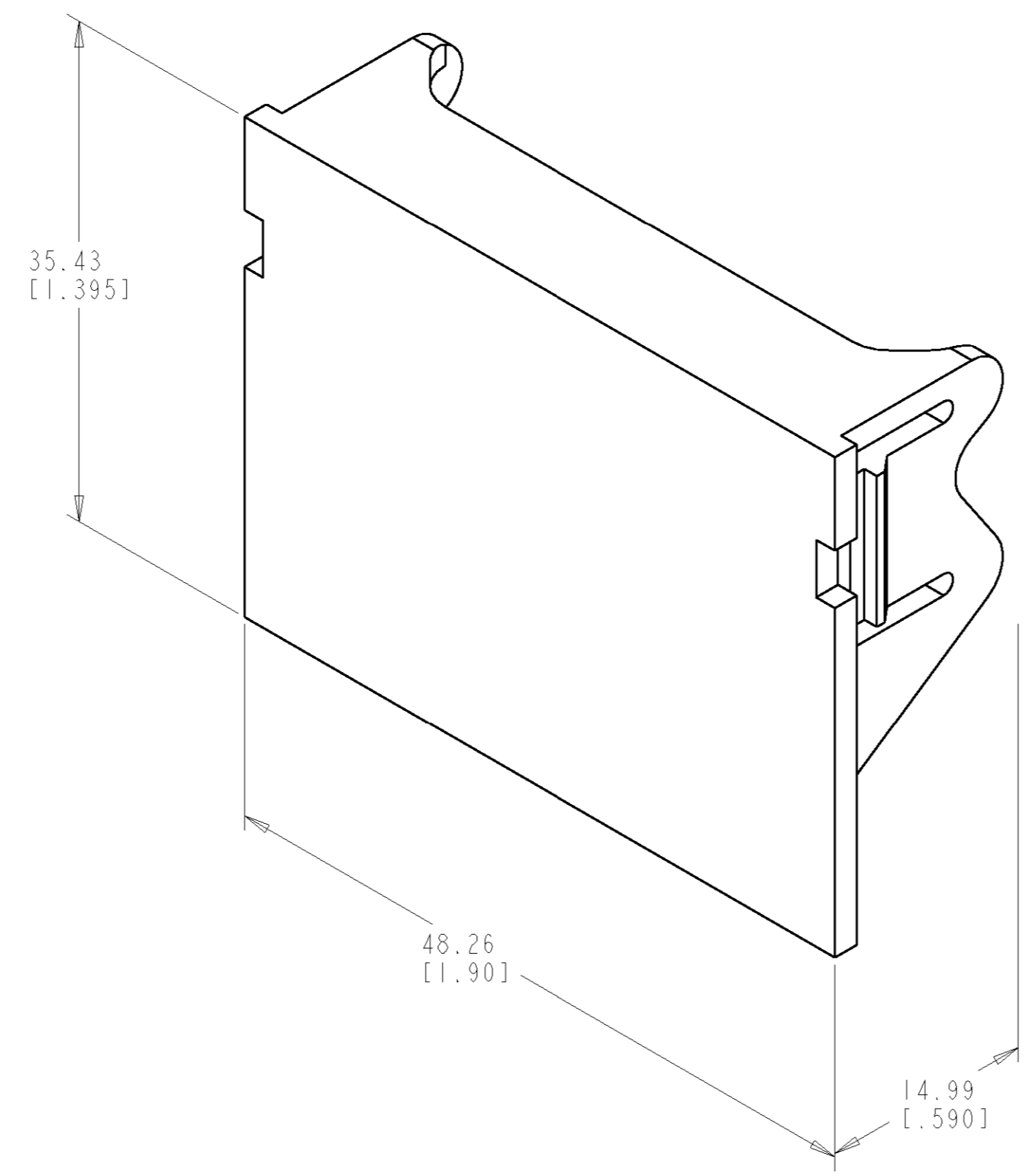
2

1

THIS DRAWING IS UNPUBLISHED. RELEASED FOR PUBLICATION
 © COPYRIGHT 19 BY TYCO ELECTRONICS CORPORATION. ALL RIGHTS RESERVED.

LOC	DIST	REVISIONS					
HM	00	P	LTR	DESCRIPTION	DATE	DWN	APVD
			O	RELEASED NPR PT99-006	14SEP99	TLP	RM
			A	REV; EC 0B40-0208-00	09OCT2000	GG	GB

- 1 MATERIAL:
MODULE: ABS MOLDING COMPOUND.
SEE TABLE FOR COLOR.
- 2 DIMENSIONS ARE NOMINAL
UNLESS OTHERWISE SPECIFIED.
- 3. REFER TO INSTRUCTION SHEET 408-8398
FOR INSTALLATION PROCEDURES.



ELECTRIC IVORY	1-1116407-1
NEMA GRAY	1116407-4
WHITE	1116407-3
BLACK	1116407-2
LIGHT ALMOND	1116407-1
COLOR	PART NUMBER

<small>THIS DRAWING IS A CONTROLLED DOCUMENT FOR TYCO ELECTRONICS CORPORATION IT IS SUBJECT TO CHANGE AND THE CONTROLLING ENGINEERING ORGANIZATION SHOULD BE CONTACTED FOR THE LATEST REVISION.</small>		DWN I.PITTS 14SEP99 CHK R.MARTIN 09NOV99 APVD R.MARTIN 09DEC99	AMP AMP Incorporated Harrisburg, PA 17105-3608
DIMENSIONS: mm(INCHES)	TOLERANCES UNLESS OTHERWISE SPECIFIED:	PRODUCT SPEC APPLICATION SPEC WEIGHT	NAME MODULE, BLANK, 1.5 UNITS HIGH, SL SERIES
0 PLC ± 1 PLC ± 2 PLC ± 3 PLC ± 4 PLC ± ANGLES ± FINISH -	± ± ± ± ± ±	- - -	SIZE A2 CAGE CODE 00779 DRAWING NO. G-1116407 RESTRICTED TO -
MATERIAL -		CUSTOMER DRAWING	SCALE 3:1 SHEET 1 OF 1 REV A