



# Inline Aggregating Tap Solutions

## Non-filter and filtering taps

### Network taps at a glance

- Copy traffic running through a network and send that traffic to analyzers and probes that improve network efficiency and security.
- Found in large data networks in virtually every industry vertical.
- Provide permanent ports for network, application and security analysis solutions.
- Improve the performance of network, application and security solutions.
- Decrease the MTTR thru faster resolution of network, application and security issues.
- Increase the ROI of traffic analyzers and probes.
- Decrease the reliance on switch and router resources for network traffic visibility.
- Are remarkably reliable.
- Suitable for numerous IT groups
  - o Network operations
  - o Network engineering
  - o Information security
  - o Quality assurance
  - o Web analytics
  - o Application analysis
- Available in numerous configurations to support all network access strategies and objectives
  - o Inline taps
  - o Inline aggregation taps
  - o Span taps
  - o Combination inline and span taps



### Inline aggregating taps

Inline taps are installed between two network devices. Network devices include switches, routers, firewalls, servers and hosts. Network, application, or security analyzers then attach to the tap. The tap provides a copy of the network traffic for real-time monitoring and analysis.

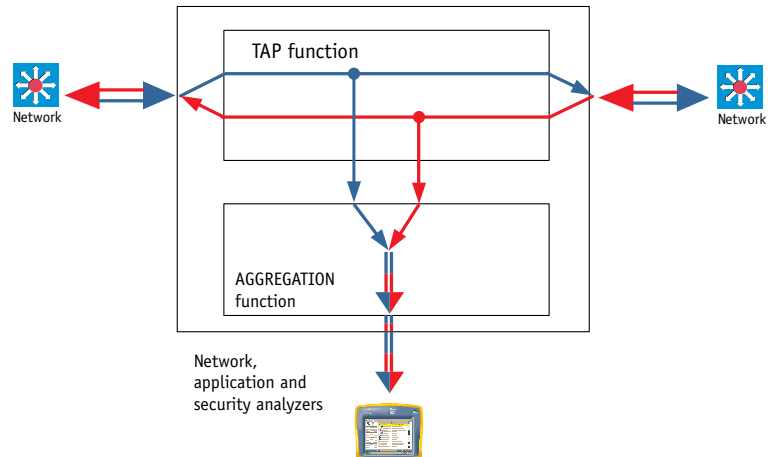
Aggregating inline taps provide access to critical links and meshed network traffic by combining full-duplex and multi-link traffic into a single data stream. All aggregating inline taps regenerate the signal so multiple analysis and monitoring devices can share the tapped connection simultaneously. Once the tap is installed, network monitoring and analysis solutions gain clear, unobstructed visibility of traffic and events by simply plugging into the tap. For mixed media environments, users can choose a tap that converts the signal from SX or LX fiber to BASE-T, or vice versa.

Certain models support multi-path analysis, a common requirement on today's redundant networks. These taps ensure that even a link failover will not cause loss of network traffic or application visibility. Aggregating taps are typically used with network and application analyzers, intrusion detection systems (IDS), traffic probes and web content monitoring solutions.

### Benefits:

- Full-duplex and multi-link visibility for single interface analysis solutions.
- Signal regeneration to support multiple analysis devices on the same tap.
- Plug-and-play simplicity for fast analysis and deployment.
- Media conversion to expand the ROI of existing analysis solutions.
- Eliminates the need for port mirroring which can degrade switch performance.

### Inline aggregating copper tap



## Non-filter and filtering taps



### Inline aggregating filter taps

A tap's ability to aggregate full-duplex and multiple link traffic is a great benefit to IT management because it maximizes visibility and extends the ROI of analysis and monitoring equipment. However, when traffic from multiple links and full-duplex connections exceeds the capacity of a gigabit output connection, events can be dropped or monitoring solutions can become over saturated with data. Hardware-based filtering link aggregation taps eliminate traffic not of concern for analysis or monitoring.

Filtering is based on IP addresses, VLAN ID, application port numbers, MAC addresses or byte/bit pattern. By focusing on only certain packet types, network managers can eliminate oversubscription to aggregation ports and increase the processing capability of monitoring and analysis devices. Replication of traffic to multiple monitoring ports reduces

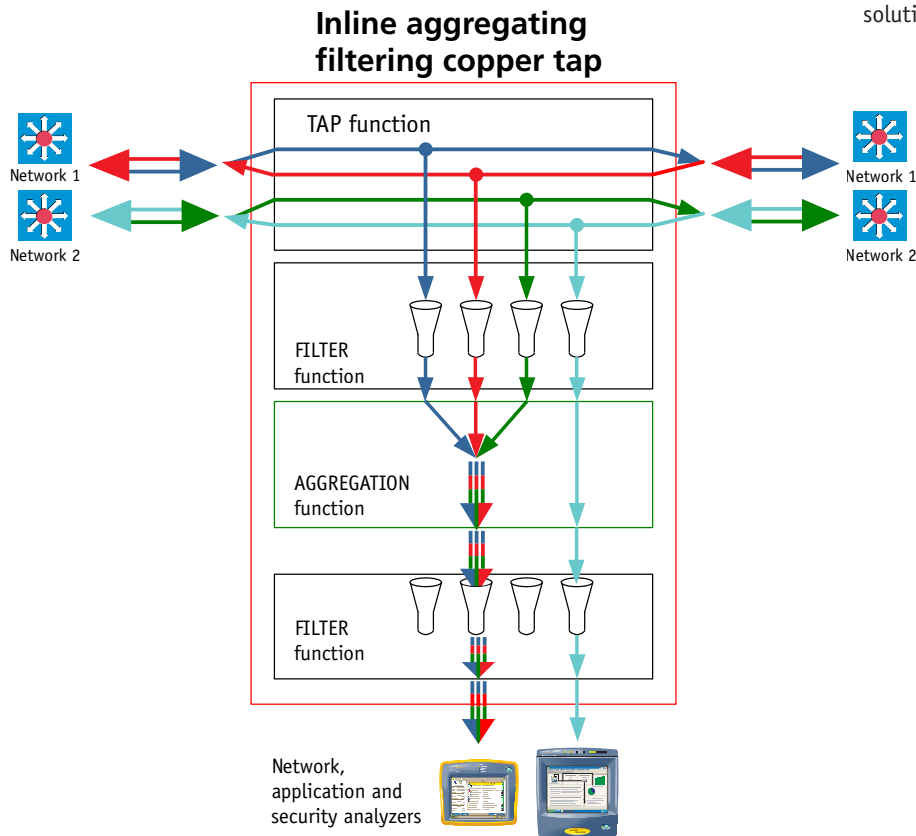
the number of network access points needed and extends management access for greater ROI.

FlowControl is the versatile configuration and monitoring utility bundled with each inline aggregating filter tap. Use the FlowControl software utility to administrate, filter, aggregate, monitor, and log network traffic. FlowControl facilitates centralized management and ease of access from a remote location.

#### Benefits:

- Increase the visibility and performance of network monitoring and analysis devices.
- Share information between multiple departments.

- Reduce the number of monitoring and analysis devices needed to effectively manage your network.
- Gain access to full-duplex and meshed network traffic for multiple analysis devices.
- Improve the performance of network analysis solutions using hardware-based filtering within the tap.
- Eliminate the possibility of dropped packets by filtering for only relevant traffic.
- Speed troubleshooting with instant plug-and-play access to critical network segments.
- Decrease the cost associated with network access for network, application and security analysis solutions





Model	ATAP-102	ATAP-100	FATAP-2000BT	FATAP-2000BT/ SX	FATAP-2000BT/ LX	FATAP-2000SX	FATAP-2000LX
Inline	✓	✓	✓	✓	✓	✓	✓
Aggregation	✓	✓	✓	✓	✓	✓	✓
Filter			✓	✓	✓	✓	✓
Port Steering			✓	✓	✓	✓	✓
Speed	10 100	10 100	10 100 1000	10 100 1000	10 100 1000	10 100 1000	10 100 1000
Dedicated network (input) ports	2	2	4	4	4	4	4
Dedicated network (input) media	RJ45	RJ45	RJ45	RJ45 or 1000SX LC	RJ45 or 1000LX LC	1000SX LC	1000LX LC
Fiber				✓	✓	✓	✓
Split ratio (if fiber)				50/50	50/50	50/50	50/50
Monitor ports	2 max	2 max	4 max	4 max	4 max	4 max	4 max
Monitor port media	RJ45	RJ45	4xRJ45 or 4xSFP	4xRJ45 or 4xSFP	4xRJ45 or 4xSFP	4xRJ45 or 4xSFP	4xRJ45 or 4xSFP
Injection		✓					
Pass PoE	✓						
Redundant power	✓		✓	✓	✓	✓	✓
Management port			✓	✓	✓	✓	✓
Management via FlowControl			✓	✓	✓	✓	✓
Rack mount kit	RMK-3	RMK-3					
Dimensions (HxWxD)	1.07 x 5.00 x 5.00 in		1.75 x 19.00 x 11.75 in				
	2.7 x 12.7 x 12.7 cm		4.45 x 48.26 x 29.85 cm				
Weight	0.75 lb		7.00 lb				
	0.34 kg		3.18 kg				
Operating Temperature	32° to 104°F (0° to 40°C)						
Storage Temperature	-22° to 149°F (-30° to 65°C)						
Humidity	5 to 90% non-condensing						

**NETWORK SUPERVISION**

Fluke Networks  
P.O. Box 777, Everett, WA USA 98206-0777

Fluke Networks operates in more than 50 countries worldwide. To find your local office contact details, go to [www.flukenetworks.com/contact](http://www.flukenetworks.com/contact).

©2009 Fluke Corporation. All rights reserved.  
Printed in U.S.A. 9/2009 3539567A D-ENG-N