

## Mounting Hardware

### Mounting Foot Kits



Available in stainless steel or composite material. Kit includes four feet and mounting hardware for all ACCESSPLUS®, D-BOX™, L-BOX® and COMLINE® cabinets.

Bulletin: A80

Catalog Number	Material
CMFK	Steel
CMFKSS	Stainless Steel
CMTGFT	Composite

### Screw Packages



Screw Packages are for mounting rack panels and equipment to rack angles.

Bulletin: A80, DACCY, X20

Catalog Number	Color	Description	Pkg. Qty.
ES1224	Silver	12-24 x 5/8 in. combo head	20
ES1224250	Silver	12-24 x 5/8 in. combo head	250
ES1224B	Black	12-24 x 5/8 in. combo head	20
ES1224B250	Black	12-24 x 5/8 in. combo head	250
ASM5	Silver	M5 x 20 mm Combo Head	20
ASM6	Silver	M6 x 16 mm combo head	20
ASM5T	Silver	M5 x 12 mm thread-forming Phillips hex head screws	20
ASM6250	Silver	M6 x 16 mm combo head	250
AS1032	Silver	10-32 x 5/8 in. combo head	20
AS1032250	Silver	10-32 x 5/8 in. combo head	250
AS1032B	Black	10-32 x 5/8 in. combo head	20

Use ASM5T on PROLINE® frame or Net Series extruded holes.

### Cage Nut Package

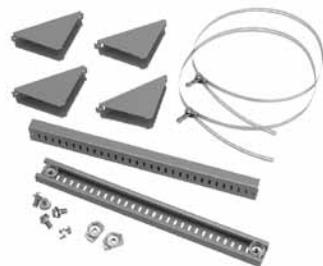


Cage Nut Packages are for use with square-hole rack angles. Cage nuts are plated steel.

Bulletin: DACCY, P20

Catalog Number	Color	Description	Pkg. Qty.
PM5CN	Silver	M5 cage nut	20
PM6CN	Silver	M6 cage nut	20
PM6CN250	Silver	M6 cage nut	250
P1032CN	Silver	10-32 cage nut	20
P1032CN250	Silver	10-32 cage nut	250
P1224CN	Silver	12-24 cage nut	20
P1224CN250	Silver	12-24 cage nut	250

### Pole Mounting Kits



Enable COMLINE®, CONCEPT®, ACCESSPLUS®, D-BOX™ and L-BOX® enclosures to be mounted to poles of various sizes and shapes. Simply attach the galvanized steel channel bar to the mounting holes at the back of the enclosure, then wrap the stainless steel strap around the pole and through the bar. Kit includes two mounting channels, two straps suitable for up to 12-in. diameter pole, and mounting hardware.

Bulletin: CWY

Catalog Number	Fits Enclosure
CPMK12	when B = 12.00 (305)
CPMK16	when B = 16.00 (406)
CPMK20	when B = 20.00 (508)
CPMK24	when B = 24.00 (610)
CPMK30	when B = 30.00 (762)

## Mounting Hardware

### PROLINE® Fastener Packages



Use to fasten components to the grid system. PGF Packages include 20 front-loading clip nuts (M6) and 20 combination-drive washer-head bolts (M6).

Grounding Package is used with the rectangular holes in the PROLINE® frame to provide electrical continuity between the frame and the grid system. ASM5T Package is used with PROLINE frames having round holes. Package includes 20 M5 self-tapping screws.

Bulletin: DACCY, P20

Catalog Number	Description	Use in	Pkg. Qty.
ASM5T	M5 x 12 mm thread-forming Phillips hex head screws	Round holes	20
PGFM6	Standard Package - M6 cage nuts and bolts	Rectangular holes	20
PGFGM6	Grounding Package - M6 grounding cage nuts and bolts	Tapped holes	20

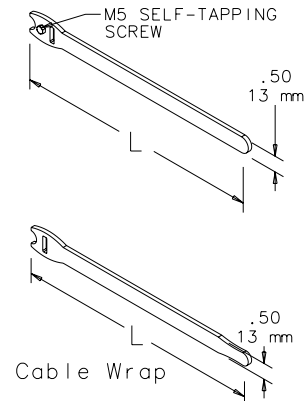
### VELCRO® Cable Wrap



Securely holds cable to cable manager and unfastens easily for cable maintenance. VELCRO® is 0.5-in. (12.7-mm) wide. Available in 8- and 12-in. (203- and 305-mm) lengths in both screw fastener and wrap styles. M5 self-tapping screw is used on Net Series or PROLINE® frames.

VELCRO is a trademark of Velcro Industries B.V.

Bulletin: DACCY



Catalog Number	Description	L (in.)	L (mm)	Color	Pkg. Qty.
ECWTD8B	Screw fastener style. Includes M5 mounting screw.	8.00	203	Black	10
ECWTD12B	Screw fastener style. Includes M5 mounting screw.	12.00	305	Black	10
ECW8B	Wrap style	8.00	203	Black	10
ECW8R	Wrap style	8.00	203	Red	10
ECW8BL	Wrap style	8.00	203	Blue	10
ECW8Y	Wrap style	8.00	203	Yellow	10
ECW12B	Wrap style	12.00	305	Black	10
ECW12R	Wrap style	12.00	305	Red	10
ECW12BL	Wrap style	12	305	Blue	10
ECW12Y	Wrap style	12	305	Yellow	10