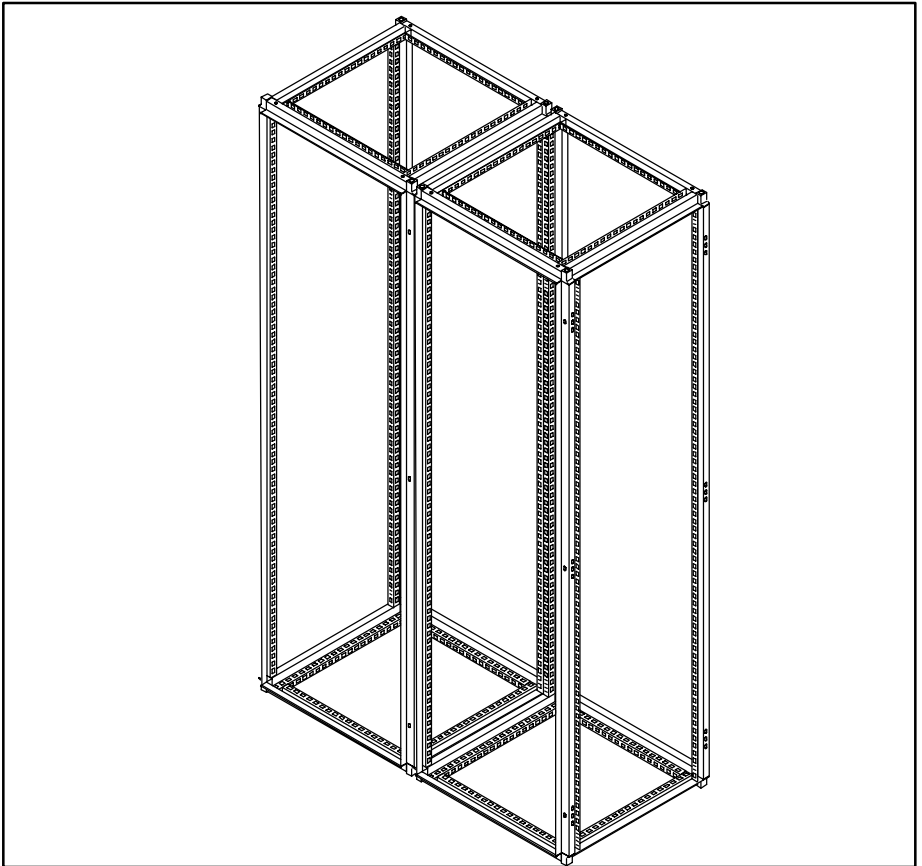
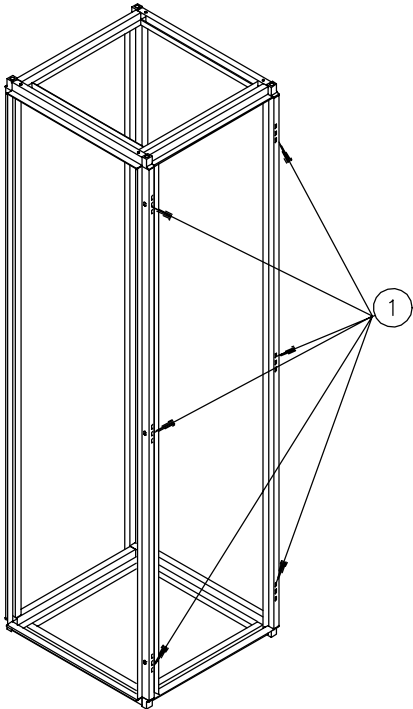
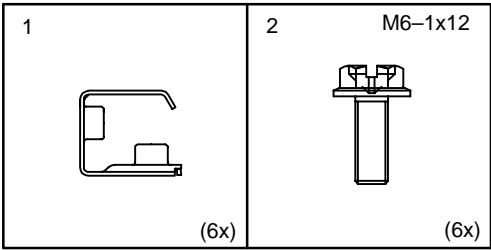
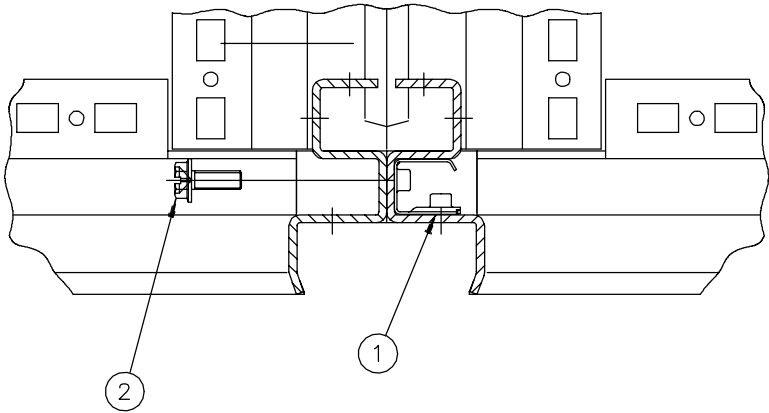
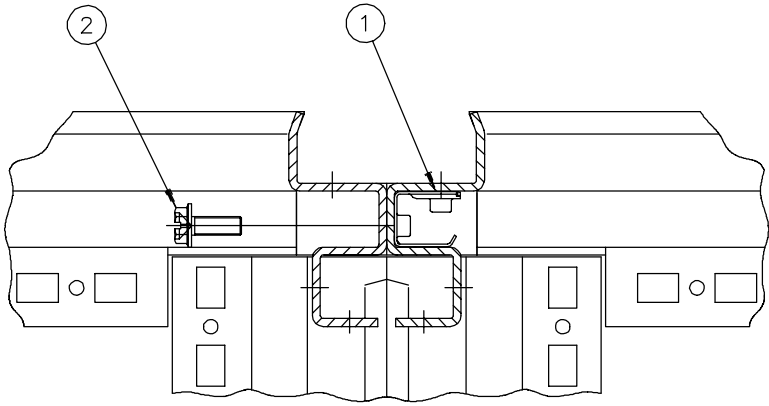


# PROLINE®

Datacom Joining Kit (side-to-side)  
Datacom-verbinder Installationssatz (seitlich)  
Kit se joignant de la télématique (vertical)  
Kit que ensambla del datacom (de lado a lado)









A Pentair Company

**Hoffman Enclosures Inc.**

2100 Hoffman Way  
Anoka, MN 55303-1745  
(763) 422-2211 Tel  
www.hoffmanonline.com

**Pentair Electronic Packaging**

170 Commerce Drive  
Warwick, RI 02886  
(401) 732-3770  
www.pentair-ep.com

**Canada**

Hoffman-Schroff  
111 Grangeway Avenue, Suite 504  
Scarborough, Ontario M1H 3E9  
(416) 289-2770 Fax (416) 289-2883  
1-800-668-2500 (Canada only)

**Germany**

Schroff GmbH  
Langentalber Str. 96-100  
75334 Straubenhardt  
49 (07082) 794-0 Fax 49 (07082) 794-200  
www.schroff.de

**Great Britain**

Schroff UK Ltd.  
Maylands Avenue  
Hemel Hempstead, Herts HP2 7DE  
44 (01442) 240471 Fax 44 (01442) 213508  
www.schroff.co.uk

**Sweden**

Schroff Scandinavia AB  
Box 2003  
12821 Skarpnäck  
46 08683 61 00 Fax 46 08683 61 99  
www.schroff.se

**France**

Schroff Sas  
Z.I., 4 rue du Marais  
67660 Betschdorf  
33 03 88 90 64 90 Fax 33 03 88 90 64 88  
www.schroff.fr

**Italy**

Schroff srl  
Viale Milano, 119  
21013 Gallarate (Varese)  
39 0331 79 40 03 Fax 39 0331 79 34 50

**Singapore**

Hoffman-Schroff Pte. Ltd.  
#01-68/71 German Centre  
25 International Business Park  
Singapore 609916  
65 5 62-78 90 Fax 65 5 62-78 99

**Japan**

Schroff K.K.  
Nisso No. 13 Bldg. 4F  
2-5-1 Shinyokohama  
Kohoku-Ku, Yokohama shi  
Kanagawa 222-0033  
81 (045) 476-02 81 Fax 81 (045) 476-02 89

**Finland**

Schroff Scandinavia AB  
Peräsimentie 8  
03100 Nummela  
358 09 222 68 00 Fax 358 09 222 38 86

**Norway**

Schroff Scandinavia AB  
Bjoernerudveien 24  
1266 Oslo  
47 022 76 33 60 Fax 47 022 76 33 69