

Hole Seals

HOL-SEALERS® Hole Seals



Industry Standards

Steel Hole Seals

UL 508A Component Recognized; Type 3R, 4, 12, 13; File No. E61997

CSA File No. 42186; Type 3R, 4, 12, 13

NEMA/EEMAC Type 3R, 4, 12, 13

IEC 60529, IP66

Stainless Steel Hole Seals

UL 508A Component Recognized; Type 3R, 4, 4X, 12, 13; File No. E61997

CSA File No. 42186; Type 3R, 4, 4X, 12, 13

NEMA/EEMAC Type 3R, 4, 4X, 12, 13

IEC 60529, IP66

Application

Seal extra pushbutton holes, conduit openings and knockout openings against dust, dirt, oil and water with Hoffman HOL-SEALERS®. Seals will cover any size or shape of hole from .19-in. diameter to maximum diameter shown in table. Can be used on enclosure walls up to .31-in. (8-mm) thick.

Features

- Available in multiple colors and sizes
- Oil-resistant gasket provided

Specifications

Steel Models

- 16 gauge galvanized steel backplate
- Plated stud (10-32x5/8) and wing nut

Stainless Steel Models

- 16 gauge stainless steel backplate
- Seal, backplate, stud (10-24x5/8) and wing nut are 300 series stainless steel

Finish

Steel seals have polyester powder paint finish over galvanized front surface.

Stainless steel seals have polished front surface.

Bulletin: A80HS

Hole Seals

Standard Product

Catalog Number	Material	Finish/Color	For	Maximum Hole Diameter in./mm	Hol-Sealer Diameter in./mm
AS056M	Steel	ANSI 61 gray	Micro	0.56 14	0.80 20
AS056MSS	Stainless Steel	Stainless Steel	Micro	0.56 14	0.80 20
AS056CB	Steel	Chrysler beige	Micro	0.56 14	0.80 20
AS056MFB	Steel	Ford brown	Micro	0.56 14	0.80 20
AS056MLG	Steel	Light gray	Micro	0.56 14	0.80 20
ASPBG	Steel	ANSI 61 gray	22.5-mm pushbutton holes	0.88 22	1.22 31
ASPBGSS	Stainless Steel	Stainless Steel	22.5-mm pushbutton holes	0.88 22	1.22 31
AS050	Steel	ANSI 61 gray	1/2-in. conduit holes	0.88 22	1.38 35
AS050LG	Steel	Light gray	1/2-in. conduit holes	0.88 22	1.38 35
AS050SS	Stainless Steel	Stainless Steel	1/2-in. conduit holes	0.88 22	1.38 35
AS075	Steel	ANSI 61 gray	3/4-in. conduit holes	1.06 27	1.56 40
AS075SS	Stainless Steel	Stainless Steel	3/4-in. conduit holes	1.06 27	1.56 40
AS075LG	Steel	Light gray	3/4-in. conduit holes	1.06 27	1.56 40
ASPB	Steel	ANSI 61 gray	30.5-mm pushbutton holes	1.25 32	1.75 44
ASPBSS	Stainless Steel	Stainless Steel	30.5-mm pushbutton holes	1.25 32	1.75 44
ASPBLG	Steel	Light gray	30.5-mm pushbutton holes	1.25 32	1.75 44
AS100	Steel	ANSI 61 gray	1-in. conduit holes	1.38 35	1.88 48
AS100SS	Stainless Steel	Stainless Steel	1-in. conduit holes	1.38 35	1.88 48
AS100LG	Steel	Light gray	1-in. conduit holes	1.38 35	1.88 48
AS125	Steel	ANSI 61 gray	1 1/4-in. conduit holes	1.69 43	2.19 56
AS125SS	Stainless Steel	Stainless Steel	1 1/4-in. conduit holes	1.69 43	2.19 56
AS125LG	Steel	Light gray	1 1/4-in. conduit holes	1.69 43	2.19 56
AS150	Steel	ANSI 61 gray	1 1/2-in. conduit holes	2.00 51	2.50 64
AS150SS	Stainless Steel	Stainless Steel	1 1/2-in. conduit holes	2.00 51	2.50 64
AS150LG	Steel	Light gray	1 1/2-in. conduit holes	2.00 51	2.50 64
AS200	Steel	ANSI 61 gray	2-in. conduit holes	2.50 64	3.00 76
AS200SS	Stainless Steel	Stainless Steel	2-in. conduit holes	2.50 64	3.00 76
AS200LG	Steel	Light gray	2-in. conduit holes	2.50 64	3.00 76
AS250	Steel	ANSI 61 gray	2 1/2-in. conduit holes	3.00 76	3.50 89
AS250SS	Stainless Steel	Stainless Steel	2 1/2-in. conduit	3.00 76	3.50 89
AS300	Steel	ANSI 61 gray	3-in. conduit holes	3.62 92	4.12 105
AS300SS	Stainless Steel	Stainless Steel	3-in. conduit holes	3.62 92	4.12 105
AS350	Steel	ANSI 61 gray	3 1/2-in. conduit holes	4.12 105	4.62 117
AS350SS	Stainless Steel	Stainless Steel	3 1/2-in. conduit holes	4.12 105	4.62 117
AS400	Steel	ANSI 61 gray	4-in. conduit holes	4.62 117	5.12 130
AS400SS	Stainless Steel	Stainless Steel	4-in. conduit holes	4.62 117	5.12 130

Hole Seals

HOL-SEALERS® Non-Metallic Hole Seals



Industry Standards

UL 508A Component Recognized; Type 3R, 4, 4X, 12, 13; File No. E61997

CSA File No. 42186: Type 3R, 4, 4X, 12, 13
NEMA/EEMAC Type 3R, 4, 4X, 12, 13
IEC 60529, IP66

Application

Designed for use in corrosive environments to seal extra pushbutton holes, conduit openings and knockout openings against dust, dirt, oil and water. These hole seals are suitable for sealing enclosure openings in industries such as petroleum and chemical processing, wastewater processing, pulp and paper, outdoor monitoring and any other industry exposed to harsh environments.

Innovative 3-in-1 self-centering design

- Thread self-centers on one hole size
- Nut orientation "A" self-centers on a second hole size (see Nut Orientation drawing)
- Nut orientation "B" self-centers on a third hole size

Features

- Innovative 3-in-1 self-centering design reduces inventory requirements; 4 models cover 12 common industry cutouts ranging from 1/2 in. to 4 in.
- Non-metallic construction provides superior corrosion resistance for reliability in harsh environments
- UV stabilized; ideal for direct sunlight (avoids fiberbloom associated with fiberglass)
- Chemically resistant to a broad range of chemicals
- Durable and impact resistant; resists cracking
- Sold in quantities of 2 per catalog number
- Cost-effective alternative to stainless steel
- Polyester material has a UL 94 rating of 5VA
- Easy to install; no tools required

Specifications

- Thread and nut are constructed of non-glass-filled polyester
- Oil-resistant gasket

Finish

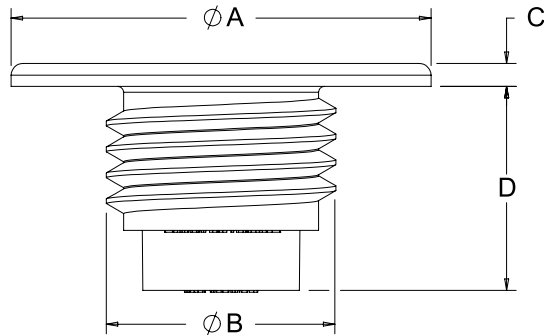
RAL 7035 light-gray textured finish

Bulletin: A80HS

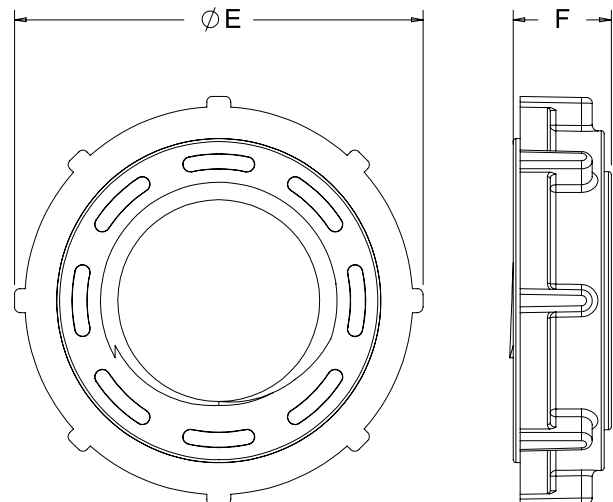
Standard Product Non-Metallic Hole Seals

Catalog Number	AxBxC in./mm	Qty.	D in./mm	E in./mm	F in./mm	Max. Hole Diameter in./mm	Outside Diameter in./mm	Torque (in. lbs.)
ASPB05075NM	1.56 x 0.85 x 0.12 40 x 22 x 3	2	1.28 32	1.48 38	.47 12	1.28 33	1.56 40	15
ASPB100125NM	2.19 x 1.19 x 0.12 56 x 30 x 3	2	1.18 30	2.14 54	.51 13	1.91 49	2.19 56	20
AS150200250NM	3.50 x 1.95 x 0.12 89 x 49 x 3	2	.95 24	3.42 87	.51 13	3.14 80	3.50 89	35
AS300350400NM	5.12 x 3.55 x 0.12 130 x 90 x 3	2	.81 21	5.05 128	.51 13	4.77 121	5.12 130	50

Seal



Nut



87929497

Hole Seals

HOL-SEALERS® Fit These Hole Sizes

Catalog Number	Fits	Min. Hole Dia. (inch)	Min. Hole Dia. (millimeter)	Nut Orientation
ASP05075NM	.5-in. conduit holes	.86	22	A
	22.5-mm pushbutton holes	.88	22	A
	.75-in. conduit holes	1.09	28	A
ASP100125NM	30.5-mm pushbutton holes	1.20	31	A
	1-in. conduit holes	1.36	35	B
	1.25-in. conduit holes	1.70	43	A
AS150200250NM	1.5-in. conduit holes	1.95	50	A
	2-in. conduit holes	2.38	60	B
	2.5-in. conduit holes	2.88	73	A
AS300350400NM	3-in. conduit holes	3.50	89	A
	3.5-in. conduit holes	4.00	102	B
	4-in. conduit holes	4.50	114	A

