

Rack-Mount Accessories

Swing-Out Rack Mounting Frames

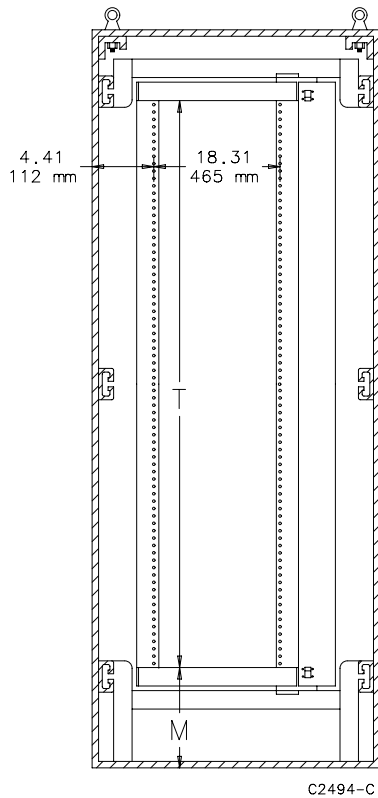
Full-length 10 gauge swing-out rack mounting frames are available for mounting 19-in. (483-mm) rack mounting equipment. The frame pivots within the enclosure to allow access to the back of the mounted equipment. The frames can be installed in 72.00-in. (1829-mm) and 90.00-in. (2286-mm) high enclosures that are 30.00-in. (762-mm) or 36.00-in. (914-mm) wide. They can be installed in 60.00-in. (1524-mm) or 72.00-in. (1829-mm) wide enclosures if a center panel support is used. Mounting holes are tapped with #10-32 threads spaced per EIA standard. The design features smooth operation and secure positioning anywhere along the horizontal mounting channels. Frame swings from the left side.

All frames are white and furnished with plated mounting hardware.

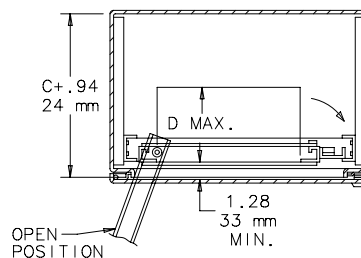
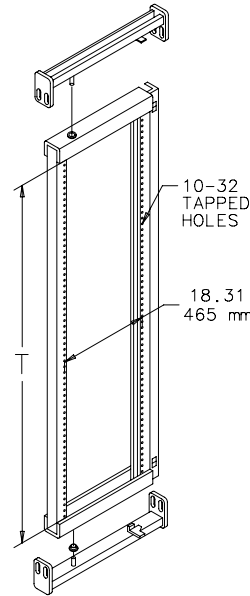
Bulletin: A80

Catalog Number	Fits Enclosure Size A x B		T	M	D max	Number of Units
	in./mm	in./mm				
A7230SOF19	72.06 x 30.06		57.88	9.09	16.25	33
	1830 x 764		1470	231	413	
A7236SOF19	72.06 x 36.06		57.88	9.09	24.25	33
	1830 x 916		1470	231	616	
A9036SOF19	90.06 x 36.06		75.28	9.34	24.25	43
	2287 x 916		1915	237	616	

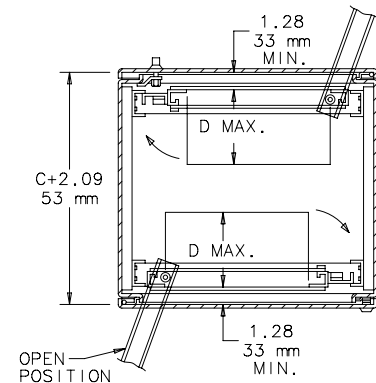
One unit equals 1.75 inches (44mm).



SECTION A-A



SECTION B-B



SECTION B-B

Rack-Mount Accessories

Rack Mounting Angles - U Style (Type RA)

For Free-Stand Enclosures, Type 12 (Bulletin A30), Free-Stand Enclosures, Type 4 (Bulletin A4L) and One-Door Free-Stand Fiberglass Enclosures, Type 4X (Bulletin A17).

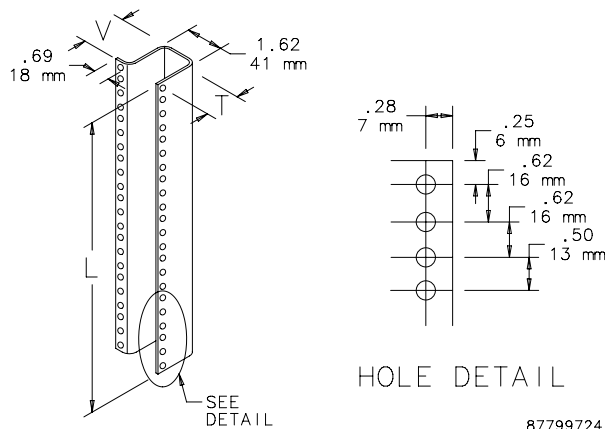
Pairs of full-length rack mounting angles are available for mounting 19-in. (483-mm) and 24-in. (610-mm) rack-mounted equipment. Type RA rack mounting angles are 14 gauge steel with mounting holes .281 in. (7 mm) in diameter and spaced per EIA standard RS-310-D universal spacing. Use clip nut package AN1032 to provide tapped holes at desired locations.

Angles and mounting hardware are plated. All mounting hardware is furnished. Includes two full-length angles.

Bulletin: A80

Catalog Number	Fits Enclosure A x B in./mm	K in./mm	L in./mm	M in./mm	T in./mm	V in./mm	For Rack Size in./mm	Number of Units
A60RA19TH	60.00 x 24.00 60 x 24	3.78 96	49.00 1245	7.78 198	1.95 50	1.89 48	19.00 483	28
A72RA19TH	72.00 x 24.00 1829 x 610	3.66 93	61.25 1556	7.66 195	1.95 50	1.89 48	19.00 483	35
A72RA24TH	72.00 x 30.00 1829 x 762	3.66 93	61.25 1556	7.66 195	2.45 62	2.39 61	24.00 610	35
A90RA19TH	90.00 x 24.00 2286 x 610	3.91 99	78.75 2000	7.91 201	1.95 50	1.89 48	19.00 483	45

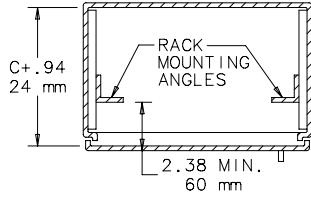
One unit equals 1.75 inches (44 mm).



87799724

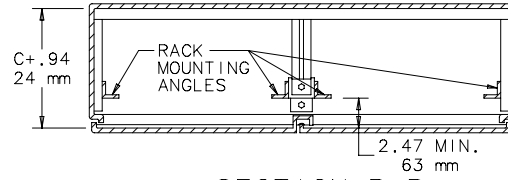
Rack-Mount Accessories

Rack Mounting Angles Installed in Enclosures



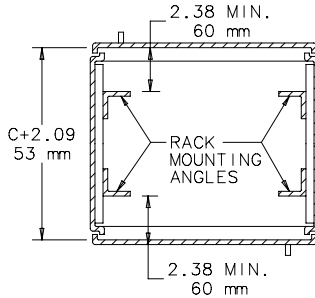
SECTION B-B

Showing rack mounting angles installed in single-door enclosure.



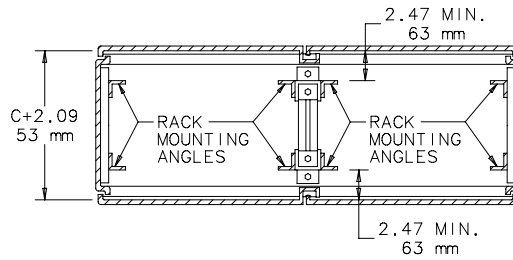
SECTION B-B

Showing two sets of rack mounting angles and center panel supports mounted in two-door enclosure.



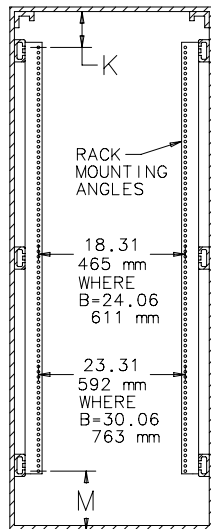
SECTION B-B

Showing two sets of rack mounting angles mounted in single-door dual access enclosure.

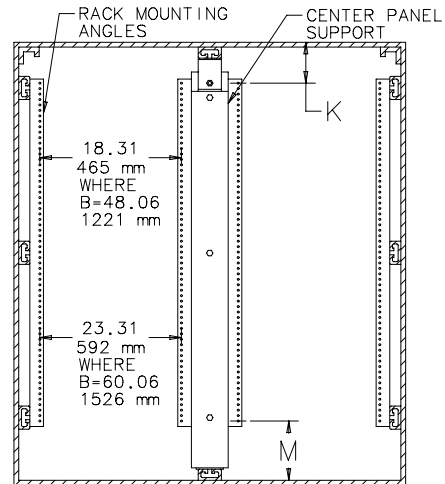


SECTION B-B

Showing four sets of rack mounting angles and two center panel supports mounted in two-door dual-access enclosure.



SECTION A-A



SECTION A-A

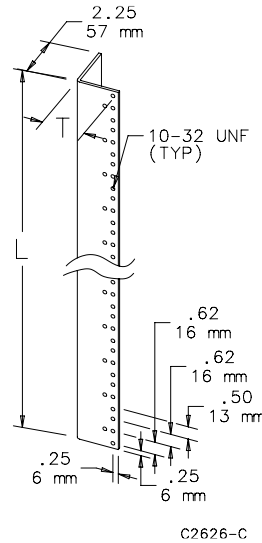
C2497-C

Rack-Mount Accessories

Rack Mounting Angles - L Style (Type RP)

For Free-Stand Enclosures, Type 12 (Bulletin A30), Free-Stand Enclosures, Type 4 (Bulletin A4L) and One-Door Free-Stand Fiberglass Enclosures, Type 4X (Bulletin A17). Pairs of full-length or half-length rack mounting angles are available for mounting 19-in. (483-mm) and 24-in. (610-mm) rack-mounted equipment. Type RP rack mounting angles are 10 gauge steel with mounting holes tapped #10-32 thread and spaced per EIA standard RS-310-D universal spacing. Angles and mounting hardware are plated. All mounting hardware is furnished.

Bulletin: A80

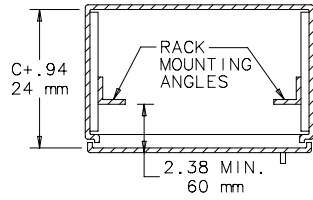


Catalog Number	Description	Fits Enclosure A x B in./mm	For Rack Size in./mm	K in./mm	L in./mm	M in./mm	T in./mm	Number of Units
A60RP24F5	Two full-length angles	60.00 x 24.00	19.00	3.78	49.00	7.78	1.94	28
		1524 x 610	483	96	1245	198	49	
A60RP24F6	Two half-length angles	60.00 x 24.00	19.00	3.59	26.25	7.59	1.94	15
		1524 x 610	483	91	667	193	49	
A72RP24F5	Two full-length angles	72.00 x 24.00	19.00	3.66	61.25	7.66	1.94	35
		1829 x 610	483	93	1556	195	49	
A72RP24F6	Two half-length angles	72.00 x 24.00	19.00	3.97	31.50	7.97	1.94	18
		1829 x 610	483	101	800	202	49	
A72RP30F5	Two full-length angles	72.00 x 30.00	24.00	3.66	61.25	7.66	2.44	35
		1829 x 762	610	93	1556	195	62	
A72RP30F6	Two half-length angles	72.00 x 30.00	24.00	3.97	31.50	7.97	2.44	18
		1829 x 762	610	101	800	202	62	
A90RP24F5	Two full-length angles	90.00 x 24.00	19.00	3.91	78.75	7.91	1.94	45
		2286 x 610	483	99	2000	201	49	
A90RP24F6	Two half-length angles	90.00 x 24.00	19.00	4.09	40.25	8.09	1.94	23
		2286 x 610	483	104	1022	205	49	

One unit equals 1.75 inches (44 mm).

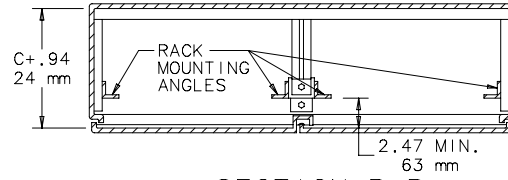
Rack-Mount Accessories

Rack Mounting Angles Installed in Enclosures



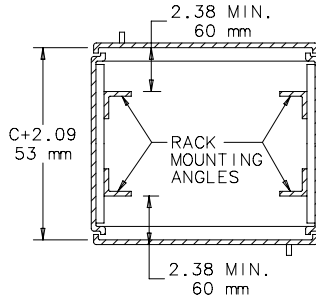
SECTION B-B

Showing rack mounting angles installed in single-door enclosure.



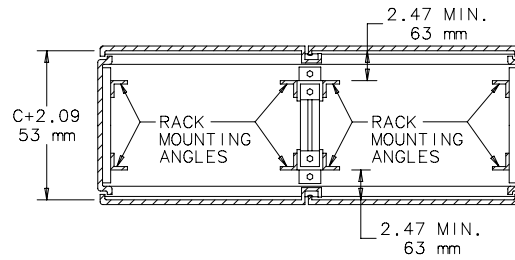
SECTION B-B

Showing two sets of rack mounting angles and center panel supports mounted in two-door enclosure.



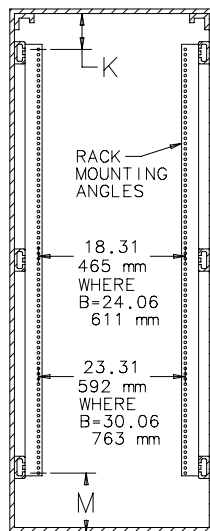
SECTION B-B

Showing two sets of rack mounting angles mounted in single-door dual access enclosure.

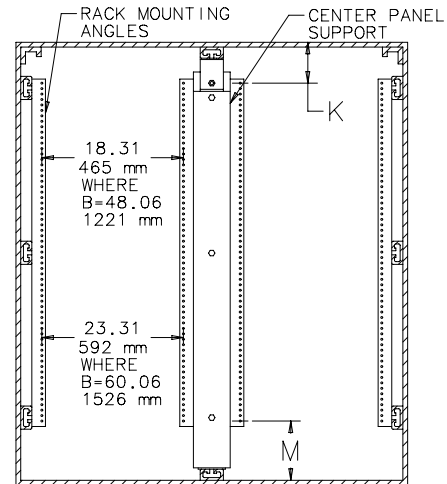


SECTION B-B

Showing four sets of rack mounting angles and two center panel supports mounted in two-door dual-access enclosure.



SECTION A-A



SECTION A-A

C2497-C

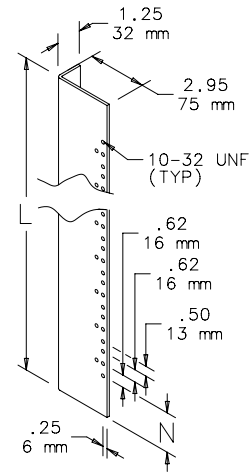
Rack-Mount Accessories

Rack Mounting Angle Kit - L Style

Designed for mounting 19-in. (483-mm) rack-mount equipment in standard 24-in. (610-mm) wide one-door, wall-mount Type 4 and 12 enclosures. Heavy 10 gauge steel angles are tapped with #10-32 threads spaced to meet EIA RS-310-D. To install, drill small holes in the sides of the enclosure and bolt angles in place.

All mounting hardware and instructions are furnished. Sealing washers also are provided to maintain original enclosure standards rating after installation. Rack angles are zinc-plated. External screws are stainless steel. Special sizes, materials and finishes are available on custom order.

Bulletin: A80

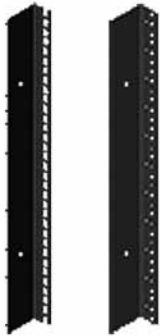


87799156

Catalog Number	Description	For Enclosure	L	N	Number
		Size A x B			
ARAK24	Two Angles	24.00 x 24.00	23.75	1.62	12
		610 x 610	603	41	
ARAK30	Two Angles	30.00 x 24.00	29.75	2.00	15
		762 x 610	756	51	
ARAK36	Two Angles	36.00 x 24.00	35.75	1.50	19
		914 x 610	908	38	

One unit equals 1.75 inches (44 mm).

19-in. and 23-in. Rack Angles



Made of 14 gauge steel with square holes or 12 gauge steel with 10-32 tapped holes. Provides 19- or 23-in. rack spacing depending on frame width. Finished with flat black RAL 9005 polyester powder paint or plated. Furnished in pairs.

Bulletin: DNCY, DWDH1



87570462

Catalog Number	Rack Spacing	Hole Type	Finish	Use With	Fits Frame Height	Fits Frame Width	Rack Units	L (mm)	L (in.)
ERA197THLN	19 in.	Square	Black	Networking Cabinet - SOHO	700mm	600mm	11	492	19.38
ERA197TPLN	19 in.	Tapped	Black	Networking Cabinet - SOHO	700mm	600mm	11	492	19.38
ERA1921TPL	19 in.	Tapped	Black	Seismic Cabinet	2100mm	700mm	45	2003	78.87
ERA192321TPL	19 & 23 in.	Tapped	Black	Seismic Cabinet	2100mm	800mm	45	2003	78.87
ERA1910TPL	19 in.	Tapped	Black	Network PC Cabinet	Bottom Section	—	19	848	33.37