

Door Gasketing, Shielding and Door Bars Overview



Foam-in-place gasket



*PROLINE door
with HF2 (medium
performance)
shielding*

PROLINE® external components—including doors, covers, sides, tops and bases—attach easily to the PROLINE frame in a number of configurations to suit your needs. Start with a rugged, reliable frame, then select additional components as your application dictates. Most external components are available in both EMC-shielded and non-shielded versions.

Seamless Foam-in-Place Gasketing

Non-shielded components are painted inside and out and include a seamless foam-in-place gasket to provide a dust-tight, moisture-tight seal.

EMC Shielding

Clear plated components (exterior painted) and a conductive fabric-over-foam gasket provide an HF2 level of shielding.

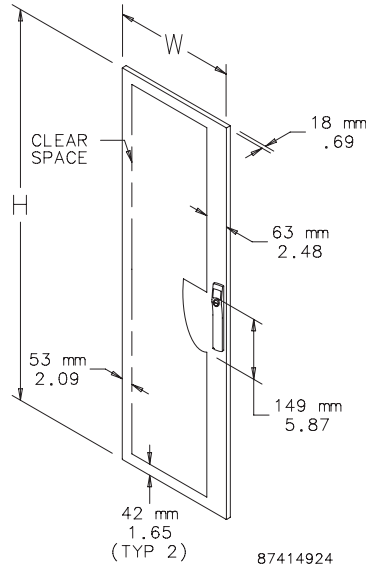
Door Bars

Door bars are included inside all PROLINE doors taller than 700 mm and wider than 400 mm (except window doors). These sturdy door bars provide maximum rigidity and can be used for mounting accessories. Door bars are constructed of steel with an aluminum zinc alloy coating that provides both corrosion resistance and electrical conductivity. Holes are located in the square tube profile for mounting accessories using M5 screws.

PROLINE® Doors, Covers and Sides
Solid Doors


Steel doors are finished with RAL 7035 textured light-gray polyester powder paint (except stainless steel). EMC doors are finished with paint over plated surfaces. A removable door bar system is included on doors taller than 700 mm and wider than 400 mm. Optional data pockets, door stops, grounding kits and 180-degree hinges are available. Hinge side is reversible. A flush bezel latch operates the 3-point latching system. Doors for 700-mm frames have 2-point latching. Hidden hinges (130-degree swing) permit attachment to the front or back of each enclosure frame. The use of a side-door adapter or a cable entry cabinet allows doors to be attached to the sides of the enclosure frame. Hinges have easy slide retained hinge pins. Door gasket is foam-in-place urethane to provide a resilient, seamless seal. Two grounding studs are furnished. All mounting hardware is included.

Bulletin: P20, P20EM, P20S

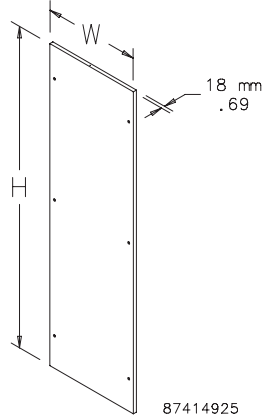


Catalog Number	Door Type	Gauge	Fits Frame		
			A x B	H x W (mm)	H x W (in.)
PDS76R	Steel	16	700 x 600	639 x 592	25.16 x 23.31
PDS76SS	Stainless Steel	16	700 x 600	639 x 592	25.16 x 23.31
PDS78R	Steel	14	700 x 800	639 x 792	25.16 x 31.18
PDS78HF2	EMC	14	700 x 800	639 x 792	25.16 x 31.18
PDS78SS	Stainless Steel	14	700 x 800	639 x 792	25.16 x 31.18
PDS146	Steel	16	1400 x 600	1339 x 592	52.72 x 23.31
PDS146HF2	EMC	16	1400 x 600	1339 x 592	52.72 x 23.31
PDS146SS	Stainless Steel	16	1400 x 600	1339 x 592	52.72 x 23.31
PDS148	Steel	14	1400 x 800	1339 x 792	52.72 x 31.18
PDS148HF2	EMC	14	1400 x 800	1339 x 792	52.72 x 31.18
PDS148SS	Stainless Steel	14	1400 x 800	1339 x 792	52.72 x 31.18
PDS165	Steel	16	1600 x 500	1539 x 492	60.59 x 19.69
PDS166	Steel	16	1600 x 600	1539 x 592	60.59 x 23.31
PDS166SS	Stainless Steel	16	1600 x 600	1539 x 592	60.59 x 23.31
PDS168	Steel	14	1600 x 800	1539 x 792	60.59 x 31.18
PDS185	Steel	16	1800 x 500	1739 x 492	68.46 x 19.69
PDS186	Steel	16	1800 x 600	1739 x 592	68.46 x 23.31
PDS186HF2	EMC	16	1800 x 600	1739 x 592	68.46 x 23.31
PDS186SS	Stainless Steel	16	1800 x 600	1739 x 592	68.46 x 23.31
PDS188	Steel	14	1800 x 800	1739 x 792	68.46 x 31.18
PDS188HF2	EMC	14	1800 x 800	1739 x 792	68.46 x 31.18
PDS188SS	Stainless Steel	14	1800 x 800	1739 x 792	68.46 x 31.18
PDS1810	Steel	14	1800 x 1000	1739 x 992	68.46 x 39.06
PDS1810HF2	EMC	14	1800 x 1000	1739 x 992	68.46 x 39.06
PDS204	Steel	16	2000 x 400	1939 x 392	76.34 x 15.75
PDS205	Steel	16	2000 x 500	1939 x 492	76.34 x 19.69
PDS206	Steel	16	2000 x 600	1939 x 592	76.34 x 23.31
PDS206HF2	EMC	16	2000 x 600	1939 x 592	76.34 x 23.31
PDS206SS	Stainless Steel	16	2000 x 600	1939 x 592	76.34 x 23.31
PDS207	Steel	16	2000 x 700	1939 x 692	76.34 x 27.24
PDS207HF2	EMC	16	2000 x 700	1939 x 692	76.34 x 27.24
PDS208	Steel	14	2000 x 800	1939 x 792	76.34 x 31.18
PDS208HF2	EMC	14	2000 x 800	1939 x 792	76.34 x 31.18
PDS208SS	Stainless Steel	14	2000 x 800	1939 x 792	76.34 x 31.18
PDS2010	Steel	14	2000 x 1000	1939 x 992	76.34 x 39.06
PDS2010HF2	EMC	14	2000 x 1000	1939 x 992	76.34 x 39.06
PDS2010SS	Stainless Steel	14	2000 x 1000	1939 x 992	76.34 x 39.06
PDS225	Steel	16	2200 x 500	2139 x 492	84.21 x 19.69
PDS226	Steel	16	2200 x 600	2139 x 592	84.21 x 23.31
PDS226SS	Stainless Steel	16	2200 x 600	2139 x 592	84.21 x 23.31
PDS227	Steel	16	2200 x 700	2139 x 692	84.21 x 27.24
PDS227HF2	EMC	16	2200 x 700	2139 x 692	84.21 x 27.24
PDS228	Steel	14	2200 x 800	2139 x 792	84.21 x 31.18
PDS228SS	Stainless Steel	14	2200 x 800	2139 x 792	84.21 x 31.18
PDS2210	Steel	14	2200 x 1000	2139 x 992	84.21 x 39.06

PROLINE® Doors, Covers and Sides
Solid Covers


Use a Solid Cover on the front or rear of the enclosure frame as a substitute for a door. Solid covers attach to the enclosure frame with semi-flush screws and include hangers for easy alignment of cover screws. Covers are painted RAL 7035 textured light-gray polyester powder paint (except stainless steel). EMC covers are finished with paint over plated surfaces. They include a foam-in-place urethane gasket and two ground studs. Mounting hardware is included.

Bulletin: P20, P20EM, P20S

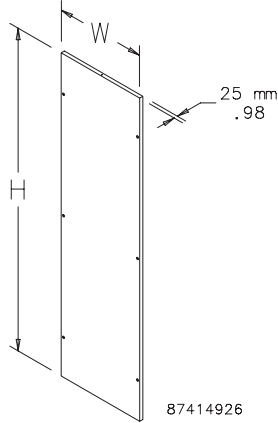


Catalog Number	Cover Type	Gauge	Fits Frame		
			A x B	H x W (mm)	H x W (in.)
PCS76	Steel	16	700 x 600	639 x 592	25.16 x 23.31
PCS76HF2	EMC	16	700 x 600	639 x 592	25.16 x 23.31
PCS76SS	Stainless Steel	16	700 x 600	639 x 592	25.16 x 23.31
PCS78	Steel	14	700 x 800	639 x 792	25.16 x 31.18
PCS78HF2	EMC	14	700 x 800	639 x 792	25.16 x 31.18
PCS78SS	Stainless Steel	14	700 x 800	639 x 792	25.16 x 31.18
PCS146	Steel	16	1400 x 600	1339 x 592	52.72 x 23.31
PCS146HF2	EMC	16	1400 x 600	1339 x 592	52.72 x 23.31
PCS146SS	Stainless Steel	16	1400 x 600	1339 x 592	52.72 x 23.31
PCS148	Steel	14	1400 x 800	1339 x 792	52.72 x 31.18
PCS148HF2	EMC	14	1400 x 800	1339 x 792	52.72 x 31.18
PCS148SS	Stainless Steel	14	1400 x 800	1339 x 792	52.72 x 31.18
PCS166	Steel	16	1600 x 600	1539 x 592	60.59 x 23.31
PCS166SS	Stainless Steel	16	1600 x 600	1539 x 592	60.59 x 23.31
PCS168	Steel	14	1600 x 800	1539 x 792	60.59 x 31.18
PCS186	Steel	16	1800 x 600	1739 x 592	68.46 x 23.31
PCS186HF2	EMC	16	1800 x 600	1739 x 592	68.46 x 23.31
PCS186SS	Stainless Steel	16	1800 x 600	1739 x 592	68.46 x 23.31
PCS188	Steel	14	1800 x 800	1739 x 792	68.46 x 31.18
PCS188HF2	EMC	14	1800 x 800	1739 x 792	68.46 x 31.18
PCS188SS	Stainless Steel	14	1800 x 800	1739 x 792	68.46 x 31.18
PCS1810	Steel	14	1800 x 1000	1739 x 992	68.46 x 39.06
PCS1810HF2	EMC	14	1800 x 1000	1739 x 992	68.46 x 39.06
PCS204	Steel	16	2000 x 400	1939 x 392	76.34 x 15.75
PCS206	Steel	16	2000 x 600	1939 x 592	76.34 x 23.31
PCS206HF2	EMC	16	2000 x 600	1939 x 592	76.34 x 23.31
PCS206SS	Stainless Steel	16	2000 x 600	1939 x 592	76.34 x 23.31
PCS207	Steel	16	2000 x 700	1939 x 692	76.34 x 27.24
PCS207HF2	EMC	16	2000 x 700	1939 x 692	76.34 x 27.24
PCS208	Steel	14	2000 x 800	1939 x 792	76.34 x 31.18
PCS208HF2	EMC	14	2000 x 800	1939 x 792	76.34 x 31.18
PCS208SS	Stainless Steel	14	2000 x 800	1939 x 792	76.34 x 31.18
PCS2010	Steel	14	2000 x 1000	1939 x 992	76.34 x 39.06
PCS2010HF2	EMC	14	2000 x 1000	1939 x 992	76.34 x 39.06
PCS2010SS	Stainless Steel	14	2000 x 1000	1939 x 992	76.34 x 39.06
PCS226	Steel	16	2200 x 600	2139 x 592	84.21 x 23.31
PCS226HF2	EMC	16	2200 x 600	2139 x 592	84.21 x 23.31
PCS226SS	Stainless Steel	16	2200 x 600	2139 x 592	84.21 x 23.31
PCS227	Steel	16	2200 x 700	2139 x 692	84.21 x 27.24
PCS228	Steel	14	2200 x 800	2139 x 792	84.21 x 31.18
PCS228SS	Stainless Steel	14	2200 x 800	2139 x 792	84.21 x 31.18
PCS2210	Steel	14	2200 x 1000	2139 x 992	84.21 x 39.06

PROLINE® Doors, Covers and Sides
Solid Sides


Solid Sides close the open sides of an enclosure frame and attach to the enclosure frame with semi-flush screws. Hangers are included for easy alignment of screws. Sides are painted with RAL 7035 textured light-gray polyester powder paint (except stainless steel) and have two grounding studs and a foam-in-place gasket. EMC Solid Sides are finished with paint over plated surfaces. Mounting hardware is included. Solid Sides are not suitable as barriers between joined enclosures.

Bulletin: P20, P20EM, P20S



Catalog Number	Type	Gauge	Fits Frame		
			A x C	H x W (mm)	H x W (in.)
PSS76	Steel	16	700 x 600	639 x 553	25.16 x 21.77
PSS76HF2	EMC	16	700 x 600	639 x 553	25.16 x 21.77
PSS76SS	Stainless Steel	16	700 x 600	639 x 553	25.16 x 21.77
PSS145	Steel	16	1400 x 500	1339 x 453	52.72 x 17.83
PSS145HF2	EMC	16	1400 x 500	1339 x 453	52.72 x 17.83
PSS146	Steel	16	1400 x 600	1339 x 553	52.72 x 21.77
PSS146HF2	EMC	16	1400 x 600	1339 x 553	52.72 x 21.77
PSS146SS	Stainless Steel	16	1400 x 600	1339 x 553	52.72 x 21.77
PSS148	Steel	16	1400 x 800	1339 x 753	52.72 x 29.65
PSS148HF2	EMC	16	1400 x 800	1339 x 753	52.72 x 29.65
PSS148SS	Stainless Steel	16	1400 x 800	1339 x 753	52.72 x 29.65
PSS164	Steel	16	1600 x 400	1539 x 353	60.59 x 13.90
PSS164HF2	EMC	16	1600 x 400	1539 x 353	60.59 x 13.90
PSS165	Steel	16	1600 x 500	1539 x 453	60.59 x 17.83
PSS165HF2	EMC	16	1600 x 500	1539 x 453	60.59 x 17.83
PSS166	Steel	16	1600 x 600	1539 x 553	60.59 x 21.77
PSS166SS	Stainless Steel	16	1600 x 600	1539 x 553	60.59 x 21.77
PSS168	Steel	16	1600 x 800	1539 x 753	60.59 x 29.65
PSS168SS	Stainless Steel	16	1600 x 800	1539 x 753	60.59 x 29.65
PSS184	Steel	16	1800 x 400	1739 x 353	68.46 x 13.90
PSS184HF2	EMC	16	1800 x 400	1739 x 353	68.46 x 13.90
PSS185	Steel	16	1800 x 500	1739 x 453	68.46 x 17.83
PSS186	Steel	16	1800 x 600	1739 x 553	68.46 x 21.77
PSS186HF2	EMC	16	1800 x 600	1739 x 553	68.46 x 21.77
PSS186SS	Stainless Steel	16	1800 x 600	1739 x 553	68.46 x 21.77
PSS188	Steel	16	1800 x 800	1739 x 753	68.46 x 29.65
PSS188HF2	EMC	16	1800 x 800	1739 x 753	68.46 x 29.65
PSS188SS	Stainless Steel	16	1800 x 800	1739 x 753	68.46 x 29.65
PSS204	Steel	16	2000 x 400	1939 x 353	76.34 x 13.90
PSS204HF2	EMC	16	2000 x 400	1939 x 353	76.34 x 13.90
PSS205	Steel	16	2000 x 500	1939 x 453	76.34 x 17.83
PSS206	Steel	16	2000 x 600	1939 x 553	76.34 x 21.77
PSS206HF2	EMC	16	2000 x 600	1939 x 553	76.34 x 21.77
PSS206SS	Stainless Steel	16	2000 x 600	1939 x 553	76.34 x 21.77
PSS208	Steel	16	2000 x 800	1939 x 753	76.34 x 29.65
PSS208HF2	EMC	16	2000 x 800	1939 x 753	76.34 x 29.65
PSS208SS	Stainless Steel	16	2000 x 800	1939 x 753	76.34 x 29.65
PSS209	Steel	14	2000 x 900	1939 x 853	76.34 x 33.58
PSS209HF2	EMC	14	2000 x 900	1939 x 853	76.34 x 33.58
PSS225	Steel	16	2200 x 500	2139 x 453	84.21 x 17.83
PSS225HF2	EMC	16	2200 x 500	2139 x 453	84.21 x 17.83
PSS226	Steel	16	2200 x 600	2139 x 553	84.21 x 21.77
PSS228	Steel	16	2200 x 800	2139 x 753	84.21 x 29.65
PSS228HF2	EMC	16	2200 x 800	2139 x 753	84.21 x 29.65
PSS228SS	Stainless Steel	16	2200 x 800	2139 x 753	84.21 x 29.65
PSS229	Steel	14	2200 x 900	2139 x 853	84.21 x 33.58
PSS229HF2	EMC	14	2200 x 900	2139 x 853	84.21 x 33.58



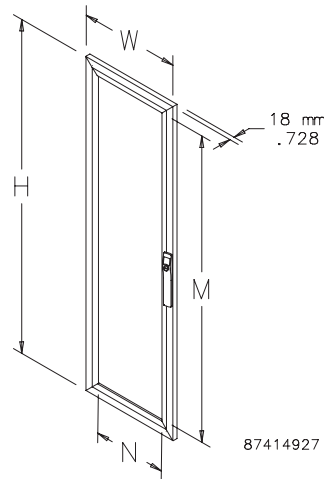
PROLINE® Doors, Covers and Sides
Window Doors
A-T-O


Window Doors can be used on the front or rear of PROLINE® frames to provide viewing of electronic equipment. PROLINE Window Doors are designed around an extruded aluminum profile. They have 140-degree hidden hinges and a flush bezel latch that operates a 3-point latching mechanism (doors for 700-mm frames have 2-point latching). Doors have either a smoke-gray tinted polycarbonate or a clear safety glass window; 180-degree hinges are available (order separately).

All Window Doors:

- Install easily on front or rear of enclosure frame; can be hinged on left or right
- Have a .25-in.-thick window that provides maximum protection and viewing area
- Have foam-in-place urethane gaskets for door and window to provide optimum sealing
- Have two grounding brackets with RAL 7035 gray textured polyester powder paint finish (except stainless steel)

Bulletin: P20, P20S



Catalog Number	Fits Frame A x B	Window Door Type	Safety Glass H x W mm/in.	Window Size M x N mm/in.
PDWG76	700 x 600	Aluminum and Safety Glass	639 x 593 25.16 x 23.34	518 x 446 20.38 x 17.55
PDW76	700 x 600	Aluminum and Polycarbonate	639 x 593 25.16 x 23.34	518 x 446 20.38 x 17.55
PDWG76SS	700 x 600	Stainless Steel and Glass	639 x 592 25.16 x 23.30	518 x 446 20.38 x 17.55
PDWG78	700 x 800	Aluminum and Safety Glass	639 x 793 25.16 x 31.22	518 x 646 20.38 x 25.42
PDW78	700 x 800	Aluminum and Polycarbonate	639 x 793 25.16 x 31.22	518 x 646 20.38 x 25.42
PDWG78SS	700 x 800	Stainless Steel and Glass	639 x 792 25.16 x 31.17	518 x 646 20.38 x 25.42
PDWG146	1400 x 600	Aluminum and Safety Glass	1339 x 593 52.72 x 23.34	1218 x 446 47.94 x 17.55
PDW146	1400 x 600	Aluminum and Polycarbonate	1339 x 593 52.72 x 23.34	1218 x 446 47.94 x 17.55
PDWG146SS	1400 x 600	Stainless Steel and Glass	1339 x 592 52.72 x 23.30	1218 x 446 47.94 x 17.55
PDWG148	1400 x 800	Aluminum and Safety Glass	1339 x 793 52.72 x 31.22	1218 x 646 47.94 x 25.42
PDW148	1400 x 800	Aluminum and Polycarbonate	1339 x 793 52.72 x 31.22	1218 x 646 47.94 x 25.42
PDWG166	1600 x 600	Aluminum and Safety Glass	1539 x 593 60.59 x 23.34	1418 x 446 55.81 x 17.55
PDW166	1600 x 600	Aluminum and Polycarbonate	1539 x 593 60.59 x 23.34	1418 x 446 55.81 x 17.55
PDWG166SS	1600 x 600	Stainless Steel and Glass	1539 x 592 60.59 x 23.30	1418 x 446 55.81 x 17.55
PDWG168	1600 x 800	Aluminum and Safety Glass	1539 x 793 60.59 x 31.22	1418 x 646 55.81 x 25.42
PDWG186	1800 x 600	Aluminum and Safety Glass	1739 x 593 68.46 x 23.34	1618 x 446 63.69 x 17.55
PDW186	1800 x 600	Aluminum and Polycarbonate	1739 x 593 68.46 x 23.34	1618 x 446 63.69 x 17.55
PDWG188	1800 x 800	Aluminum and Safety Glass	1739 x 793 68.46 x 31.22	1618 x 646 63.69 x 25.42
PDW188	1800 x 800	Aluminum and Polycarbonate	1739 x 793 68.46 x 31.22	1618 x 646 63.69 x 25.42
PDWG188SS	1800 x 800	Stainless Steel and Glass	1739 x 792 68.46 x 31.17	1618 x 646 63.69 x 25.42
PDWG206	2000 x 600	Aluminum and Safety Glass	1939 x 593 76.34 x 23.34	1818 x 446 71.56 x 17.55
PDW206	2000 x 600	Aluminum and Polycarbonate	1939 x 593 76.34 x 23.34	1818 x 446 71.56 x 17.55
PDWG206SS	2000 x 600	Stainless Steel and Glass	1939 x 592 76.34 x 23.30	1818 x 446 71.56 x 17.55
PDWG207	2000 x 700	Aluminum and Safety Glass	1939 x 693 76.34 x 27.28	1818 x 546 71.56 x 21.48
PDW207	2000 x 700	Aluminum and Polycarbonate	1939 x 693 76.34 x 27.28	1818 x 546 71.56 x 21.48
PDWG208	2000 x 800	Aluminum and Safety Glass	1939 x 793 76.34 x 31.22	1818 x 646 71.56 x 25.42
PDW208	2000 x 800	Aluminum and Polycarbonate	1939 x 793 76.34 x 31.22	1818 x 646 71.56 x 25.42
PDWG208SS	2000 x 800	Stainless Steel and Glass	1939 x 792 76.34 x 31.17	1818 x 646 71.56 x 25.42
PDWG226	2200 x 600	Aluminum and Safety Glass	2139 x 593 84.21 x 23.34	2018 x 446 79.43 x 17.55
PDW226	2200 x 600	Aluminum and Polycarbonate	2139 x 593 84.21 x 23.34	2018 x 446 79.43 x 17.55
PDW227	2200 x 700	Aluminum and Polycarbonate	2139 x 693 84.21 x 27.28	2018 x 546 79.43 x 21.48
PDWG228	2200 x 800	Aluminum and Safety Glass	2139 x 793 84.21 x 31.22	2018 x 646 79.43 x 25.42
PDW228	2200 x 800	Aluminum and Polycarbonate	2139 x 793 84.21 x 31.22	2018 x 646 79.43 x 25.42
PDWG228SS	2200 x 800	Stainless Steel and Glass	2139 x 792 84.21 x 31.17	2018 x 646 79.43 x 25.42

PROLINE® Doors, Covers and Sides

Overlapping Doors

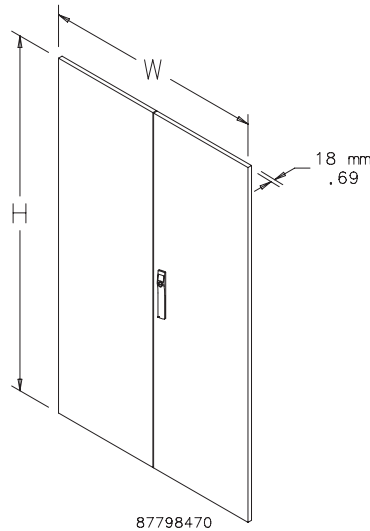


PROLINE® Overlapping Doors provide a door system for the full-width open front of 800,1000, 1200- and 1600-mm wide frames. The master door ensures a dust-tight seal using a 3-point roller latch system operated by a PROLINE flush swing handle. The overlapping master/adjacent door design allows unobstructed access. Removable door bar is included on each door. Master door is hinged on the right side. Steel doors are 14 gauge and finished with RAL 7035 light-gray textured polyester powder paint finish (except stainless steel).

Bulletin: P20

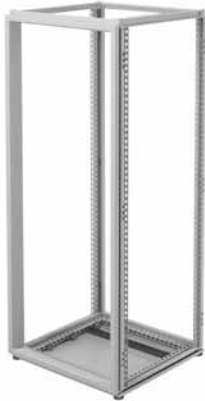


Catalog Number	Fits Frame A x B	H x W (mm)	H x W (in.)
PTOD78	700 x 800	639 x 792	25.16 x 31.18
PTOD712	700 x 1200	639 x 1191	25.16 x 46.89
PTOD148	1400 x 800	1339 x 792	52.72 x 31.18
PTOD168	1600 x 800	1539 x 792	60.59 x 31.18
PTOD1612	1600 x 1200	1539 x 1191	60.59 x 46.89
PTOD188	1800 x 800	1739 x 792	68.46 x 31.18
PTOD1810	1800 x 1000	1739 x 992	68.46 x 39.06
PTOD1812	1800 x 1200	1739 x 1191	68.46 x 46.89
PTOD1816	1800 x 1600	1739 x 1591	68.46 x 62.64
PTOD208	2000 x 800	1939 x 792	76.34 x 31.18
PTOD2010	2000 x 1000	1939 x 992	76.34 x 39.06
PTOD2012	2000 x 1200	1939 x 1191	76.34 x 46.89
PTOD2012SS	2000 x 1200	1939 x 1191	76.34 x 46.89
PTOD2016	2000 x 1600	1939 x 1591	76.34 x 62.64
PTOD228	2200 x 800	2139 x 792	84.21 x 31.18
PTOD2210	2200 x 1000	2139 x 992	84.21 x 39.06
PTOD2212	2200 x 1200	2139 x 1191	84.21 x 46.89
PTOD2212SS	2200 x 1200	2139 x 1191	84.21 x 46.89



PROLINE® Doors, Covers and Sides

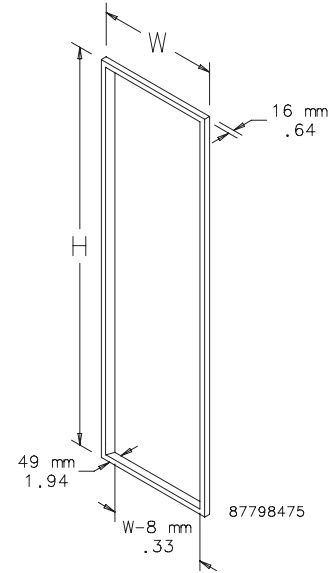
Dress Frame



A Dress Frame provides a decorative trim when a front door or cover is not used. The dress frame can be installed on the front or rear of a PROLINE frame as a substitute for a door. The painted steel dress frame, finished with RAL 7035 textured light-gray polyester powder paint, is provided with a snap-in design for easy installation with no tools required. Order rack angles separately, if needed.

Bulletin: P20

Catalog Number	Nominal Size	H x W (mm)	H x W (in.)
PDF76	700 x 600	639 x 591	25.16 x 23.26
PDF146	1400 x 600	1339 x 591	52.72 x 23.26
PDF166	1600 x 600	1539 x 591	60.56 x 23.26
PDF186	1800 x 600	1739 x 591	68.47 x 23.26
PDF206	2000 x 600	1939 x 591	76.34 x 23.26
PDF226	2200 x 600	2139 x 591	84.21 x 23.26



PROLINE® Doors, Covers and Sides
Disconnect Door for PROLINE® Enclosures
A.T.O


Disconnect Doors provide a means to mount flange-mount disconnects to PROLINE® Enclosures. Hinged mullion provides unobstructed access to interior, thus easing equipment installation.

Disconnect mullion is hinged to provide easy disconnect installation and maximum access to subpanel. Removable door bar is included on disconnect door. A flush handle with defeater operates an internal 3-point latch system on disconnect door and latches to the disconnect mullion. Interlocking is provided from master door to disconnect mullion. The disconnect mullion and disconnect door include 140-degree hinges and are gasketed to maintain enclosure integrity. Steel doors are 14 gauge and painted with RAL 7035 light-gray textured polyester powder.

PROLINE enclosures that have preferred cutout disconnect doors, right- or left-hand provision will accept the following types of flange-mounted disconnect devices:

Allen-Bradley

- Bulletin 1494V disconnect switches with flange-mounted variable-depth operating mechanisms and Bulletin 1494V flange-mounted variable-depth operating mechanisms for circuit breakers.
- Bulletin 140U flexible cable operating mechanisms for 140U molded case circuit breakers.

ABB Controls

- Disconnect switches up to (and including) 200 amp, also operators for ABB circuit breakers up to 800 amp.

Eaton Cutler-Hammer

- Variable depth disconnect switches up to (and including) 200 amp, also operators for C-H Westinghouse circuit breakers up to 600 amp. Also, FLEX SHAFT® handle mechanisms for circuit breakers

General Electric

- Type TDA variable depth mechanisms for disconnect switches up to (and including) 200 amp, also operator mechanisms or SPECTRA FLEX® cable operator for circuit breakers up to 600 amp.

Siemens ITE

- MAX-FLEX™ flange-mounted variable depth operating handle for disconnect switches and circuit breakers as well as some fixed depth operators for disconnect switches.

Schneider Square D®

- Class 9422 disconnect switches up to (and including) 200 amp, with variable depth or cable mechanisms for 30, 60 or 100 amp. Also circuit breakers with variable depth operators or cable mechanisms up to 400 amp.

PROLINE enclosures with disconnect doors that have a large cutout provision will accept the following types of flange-mounted disconnect devices:

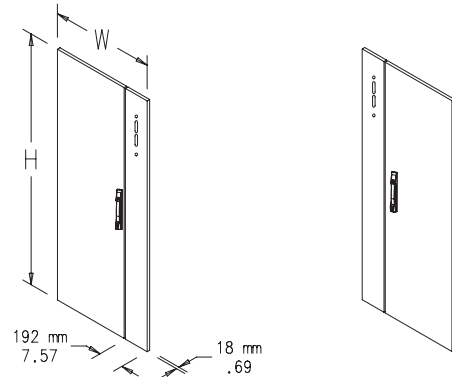
Allen-Bradley

- 1494V-H2 handle used with 400 amp or 600 amp Allen-Bradley disconnect switches.

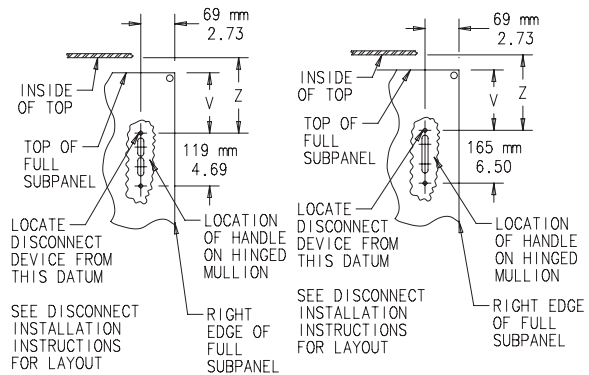
Siemens ITE

- MAX-FLEX™ FHOHN handle used with MD 800 amp, ND (1200 amp), PD (1600 amp) and RD (2000 amp).

Bulletin: P20, P20DC



87414962



PROLINE® Doors, Covers and Sides
Standard Product

Catalog Number	Cutout Provision	Fits Frame A x B mm/in.	H x W mm/in.	V mm/in.	Z mm/in.
PTDDC166	Preferred right-hand	1600 x 600	1539 x 594 60.59 x 23.39	221 8.70	269 10.57
PLTDDC166	Preferred left-hand	1600 x 600	1539 x 594 60.59 x 23.39	221 8.70	269 10.57
PTDDC168	Preferred right-hand	1600 x 800	1539 x 794 60.59 x 31.26	221 8.70	269 10.57
PLTDDC168	Preferred left-hand	1600 x 800	1539 x 794 60.59 x 31.26	221 8.70	269 10.57
PTDDC186	Preferred right-hand	1800 x 600	1739 x 594 68.46 x 23.39	321 12.64	369 14.51
PTDDC188	Preferred right-hand	1800 x 800	1739 x 794 68.46 x 31.26	321 12.64	369 14.51
PLTDDC188	Preferred left-hand	1800 x 800	1739 x 794 68.46 x 31.26	321 12.64	369 14.51
PTDDC206	Preferred right-hand	2000 x 600	1939 x 594 76.34 x 23.39	421 16.57	469 18.45
PTDDC208	Preferred right-hand	2000 x 800	1939 x 794 76.34 x 31.26	421 16.57	469 18.45
PLTDDC208	Preferred left-hand	2000 x 800	1939 x 794 76.34 x 31.26	421 16.57	469 18.45
PTDDC1810	Preferred right-hand	1800 x 1000	1739 x 994 68.46 x 39.13	321 12.64	369 14.51
PLTDDC1810	Preferred left-hand	1800 x 1000	1739 x 994 68.46 x 39.13	321 12.64	369 14.51
PTDDC2010	Preferred right-hand	2000 x 1000	1939 x 994 76.34 x 39.13	421 16.57	469 18.45
PLTDDC2010	Preferred left-hand	2000 x 1000	1939 x 994 76.34 x 39.13	421 16.57	469 18.45
PTDLDC206	Large right-hand	2000 x 600	1939 x 594 76.34 x 23.39	435 17.13	483 19.01
PTDLDC2010	Large right-hand	2000 x 1000	2000 x 1000 76.34 x 39.13	435 17.13	483 19.01

Electrical Interlock



Industry Standards

UL Component Recognized

CSA Certified

Application

Provide positive internal safety lockout on electrical enclosures while the equipment is energized. Catalog numbers AEK115, AEK230 and AEK460 are used with standard Hoffman door latching mechanisms. When energized, these interlocks prevent the door handle from being turned to open the door. Fit either clockwise or counterclockwise handles in the following enclosures:

1. All two-door Type 4 and 12 enclosures
2. All Type 4X with 3-point latch enclosures
3. Free-stand Type 12 enclosures
4. All single-door Type 12 enclosures with latch kits installed

The above interlocks will fit the following enclosures, but modifications are required. Consult the factory for more information.

1. Two-Door Enclosures for Flange-Mounted Disconnects, Type 12
2. Heavy Duty Free-Stand Enclosures for Flange-Mounted Disconnects, Type 12
3. Modular Enclosures for Flange-Mounted Disconnects, Type 12
4. Multi-Door Enclosures, Type 12

The interlocks will also fit most Hoffman custom enclosures with door latching mechanisms similar to the mechanisms used on the preceding enclosures.

Non-NDH style electrical interlocks will not fit CONCEPT® Enclosures or Bulletin A25 and A26 Enclosures. Interlocks are not designed to be used in place of the standard door or cover latch.

Catalog numbers AEK115NDH, AEK230NDH and AEK460NDH are designed to be used on some Hoffman enclosures and boxes which have exterior latching only. When energized, these interlocks will prevent the enclosure door from being opened. They fit on the door or cover of the following enclosures:

1. One-door Type 4 and 4X enclosures
2. Two-door Type 4 and 4X enclosures
3. One-door Type 12 enclosures
4. Larger sizes of junction boxes
5. Type 1 and large Type 1 enclosures

The above interlocks also fit in most Hoffman custom enclosures and boxes which have doors or covers hinged similar to doors or covers on the preceding enclosures.

Installation

Interlock mounts on bracket attached to door bar on inside of enclosure door.

Specifications

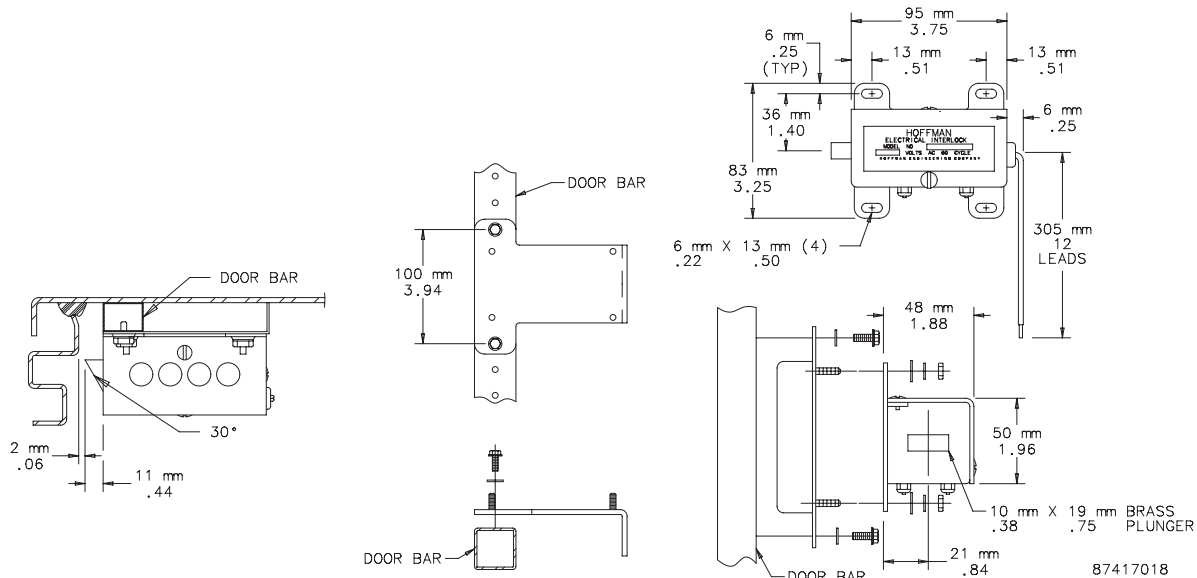
- Rugged steel construction and plated finish. Solenoids are rated for continuous duty and will stand up under heavy industrial use.
- Packaged complete with a solenoid assembly, mounting bracket and instructions for field installation.

Door handles and latching mechanisms are not included.

Bulletin: P20DC

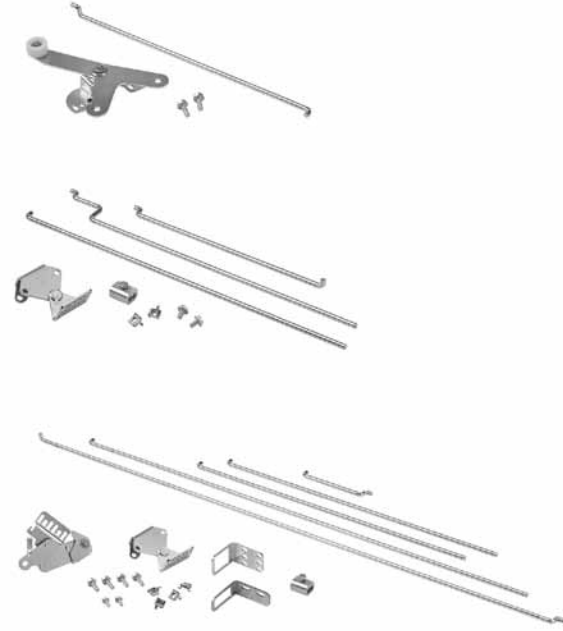
Standard Product

Catalog Number	A @ 120 V/60 Hz	A @ 240 V/60 Hz	A @ 480 V/60 Hz	A @ 110 V/50 Hz	A @ 220 V/50 Hz	A @ 440 V/50 Hz
	Normal/Inrush	Normal/Inrush	Normal/Inrush	Normal/Inrush	Normal/Inrush	Normal/Inrush
PEK115NDH	.100/.63			.120/.69		
PEK230NDH		.050/.32			.060/.35	
PEK460NDH			.025/.16			.030/.18



PROLINE® Doors, Covers and Sides

Mechanical Interlock



Mechanical Interlock

The PROLINE® Mechanical Interlock can be actuated by any PROLINE solid or disconnect door in a multiple-bay enclosure system. Up to ten doors, including window doors, can be interlocked. The interlock device engages the PROLINE door at the center to provide maximum security. The master door can be positioned in any location. Only after the master door is opened can slave doors be opened. The interlock system is modular and easy to assemble; no drilling or layout work is required to install. Brackets, rods and fasteners are heavy gauge steel. Meets interlocking requirements established by General Motors, Ford and Chrysler.

Front-to-Back Interlock

The Front-to-Back Interlock is used to interlock the rear doors of an enclosure in conjunction with a Master Door Actuator Kit and a Slave Door Kit. When the Master Door Actuator Kit on the front of the enclosure is activated (by a solid or disconnect master door) and the Front-to-Back Kit linkage is in place, the pivot bracket is pulled, which activates the Slave Door Kit to interlock the back doors of the enclosure with the front doors.

Bulletin: P20

Catalog Number	Description
PMLMAK	Master Door Actuator Kit
PMLSK	Door Slave Kit
PMLEK	Extension Kit
PMLFB	Front-to-Back Kit

For Catalog No. PMLMAK, order 1 for master door.

For Catalog No. PMLSK, order 1 for each slave door (will accommodate single door, window door and overlapping door).



Modular Enclosure Systems: PROLINE® External Components
PROLINE® Doors, Covers and Sides

Notes