

PROLINE® Industrial Packages, Type 12



Industry Standards

UL 508A Listed; Type 12; File Number E61997

NEMA/EEMAC Type 12
 CSA File Number 42186: Type 12
 VDE IP55
 IEC 60529, IP55

Application

PROLINE® Industrial Packages are full-featured, ready-to-use enclosure solutions that make it unnecessary to order each component separately. For convenience, a single part number includes a frame, solid front door, solid rear cover, a solid top, a gland plate, lifting eyes and a full subpanel, so that only the side covers need to be ordered separately.

Standard Product

Catalog Number	AxBxC mm	AxBxC in.
PP1466	1400 x 600 x 600	55.12 x 23.62 x 23.62
PP1485	1400 x 800 x 500	55.12 x 31.50 x 19.69
PPOD1485	1400 x 800 x 500	55.12 x 31.50 x 19.69
PPOD16126	1600 x 1200 x 600	62.99 x 47.24 x 23.62
PP1666	1600 x 600 x 600	62.99 x 23.62 x 23.62
PP1668	1600 x 600 x 800	62.99 x 23.62 x 31.50
PP1686	1600 x 800 x 600	62.99 x 31.50 x 23.62
PPOD1686	1600 x 800 x 600	62.99 x 31.50 x 23.62
PP1688	1600 x 800 x 800	62.99 x 31.50 x 31.50
PPOD1688	1600 x 800 x 800	62.99 x 31.50 x 31.50
PP18105	1800 x 1000 x 500	70.87 x 39.37 x 19.69
PPOD18105	1800 x 1000 x 500	70.87 x 39.37 x 19.69
PP18106	1800 x 1000 x 600	70.88 x 39.37 x 23.62
PPOD18106	1800 x 1000 x 600	70.87 x 39.37 x 23.62
PP18108	1800 x 1000 x 800	70.87 x 39.37 x 31.50
PPOD18108	1800 x 1000 x 800	70.87 x 39.37 x 31.50
PPOD18124	1800 x 1200 x 400	70.87 x 47.24 x 15.75
PPOD18125	1800 x 1200 x 500	70.87 x 47.24 x 19.69
PPOD18126	1800 x 1200 x 600	70.87 x 47.24 x 23.62
PPOD18128	1800 x 1200 x 800	70.87 x 47.24 x 31.50
PPOD18165	1800 x 1600 x 500	70.87 x 62.99 x 19.69
PPOD18166	1800 x 1600 x 600	70.87 x 62.99 x 23.62
PPOD18168	1800 x 1600 x 800	70.87 x 62.99 x 31.50
PP1866	1800 x 600 x 600	70.87 x 23.62 x 23.62
PP1868	1800 x 600 x 800	70.87 x 23.62 x 31.50
PP1885	1800 x 800 x 500	70.87 x 31.50 x 19.69
PPOD1885	1800 x 800 x 500	70.87 x 31.50 x 19.69
PP1886	1800 x 800 x 600	70.87 x 31.50 x 23.62
PPOD1886	1800 x 800 x 600	70.87 x 31.50 x 23.62
PP1888	1800 x 800 x 800	70.87 x 31.50 x 31.50
PPOD1888	1800 x 800 x 800	70.87 x 31.50 x 31.50
PP20105	2000 x 1000 x 500	78.74 x 39.37 x 19.69
PPOD20105	2000 x 1000 x 500	78.74 x 39.37 x 19.69
PP20106	2000 x 1000 x 600	78.74 x 39.37 x 23.62
PPOD20106	2000 x 1000 x 600	78.74 x 39.37 x 23.62
PP20108	2000 x 1000 x 800	78.74 x 39.37 x 31.50
PPOD20108	2000 x 1000 x 800	78.74 x 39.37 x 31.50

Specifications

- Frames are a roll-formed, robotically welded design made of 12 gauge steel with solid steel, fully welded corners
- External sides, covers and doors are 16 or 14 gauge steel
- Standard door bars increase strength and rigidity and allow for an extra mounting surface
- Seamless foam-in-place gasket provides a water-tight, dust-tight seal against moisture and contaminants
- Gasket and latching system together ensure a solid seal with low closure force
- Solid front doors equipped with a PROLINE latching system and keylocking flush swing handle
- Integral frame channels support the full weight of the subpanels
- Galvanized full subpanel
- Frames accommodate the 25-mm DIN standard and include rectangular holes for clip nuts and through holes for use with thread-forming pins
- PROLINE Overlapping Doors are available in 800,1000, 1200 and 1600 mm widths. They are denoted by an OD in the part number, i.e. PPOD18106

Finish

Enclosure finish is RAL 7035 textured light-gray polyester powder paint with black accent color of RAL 9005 textured polyester powder paint.

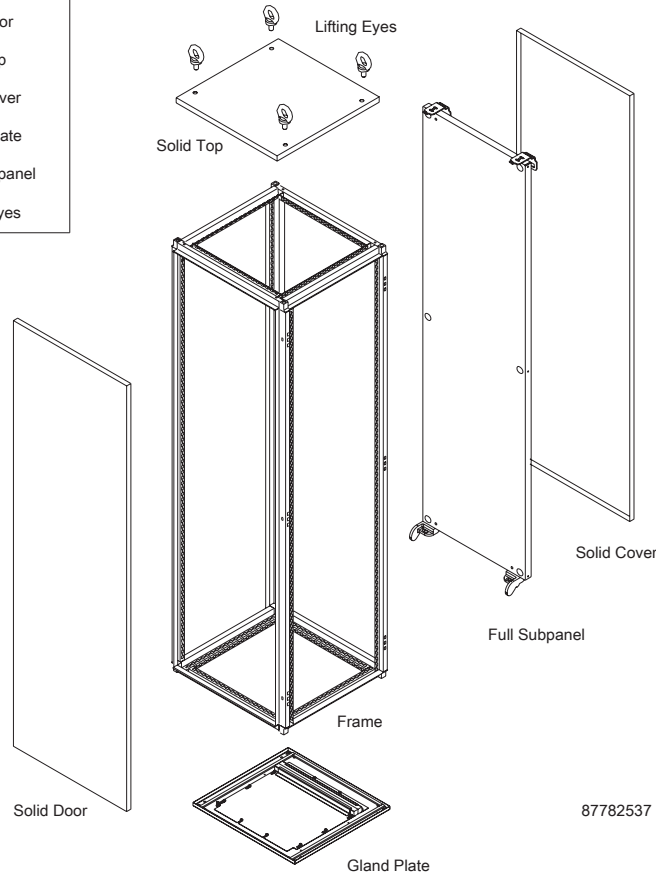
Accessories

A full selection of accessories is available.

Bulletin: P20, P21

Catalog Number	AxBxC mm	AxBxC in.
PPOD20125	2000 x 1200 x 500	78.74 x 47.24 x 19.69
PPOD20126	2000 x 1200 x 600	78.74 x 47.24 x 23.62
PPOD20128	2000 x 1200 x 800	78.74 x 47.24 x 31.50
PPOD20165	2000 x 1600 x 500	78.74 x 62.99 x 19.69
PPOD20166	2000 x 1600 x 600	78.74 x 62.99 x 23.62
PPOD20168	2000 x 1600 x 800	78.74 x 62.99 x 31.50
PP2046	2000 x 400 x 600	78.74 x 15.75 x 23.62
PP2064	2000 x 600 x 400	78.74 x 23.62 x 15.75
PP2065	2000 x 600 x 500	78.74 x 23.62 x 19.69
PP2066	2000 x 600 x 600	78.74 x 23.62 x 23.62
PP2068	2000 x 600 x 800	78.74 x 23.62 x 31.50
PP2084	2000 x 800 x 400	78.74 x 31.50 x 15.75
PPOD2084	2000 x 800 x 400	78.74 x 31.50 x 15.75
PP2085	2000 x 800 x 500	78.74 x 31.50 x 19.69
PPOD2085	2000 x 800 x 500	78.74 x 31.50 x 19.69
PP2086	2000 x 800 x 600	78.74 x 31.50 x 23.62
PPOD2086	2000 x 800 x 600	78.74 x 31.50 x 23.62
PP2088	2000 x 800 x 800	78.74 x 31.50 x 31.50
PPOD2088	2000 x 800 x 800	78.74 x 31.50 x 31.50
PP22105	2200 x 1000 x 500	86.61 x 39.37 x 19.69
PPOD22105	2200 x 1000 x 500	86.61 x 39.37 x 19.69
PP22106	2200 x 1000 x 600	86.61 x 39.37 x 23.62
PPOD22106	2200 x 1000 x 600	86.61 x 39.37 x 23.62
PPOD22125	2200 x 1200 x 500	86.61 x 47.24 x 19.69
PPOD22126	2200 x 1200 x 600	86.61 x 47.24 x 23.62
PPOD22128	2200 x 1200 x 800	86.61 x 47.24 x 31.50
PP2266	2200 x 600 x 600	86.61 x 23.62 x 23.62
PP2268	2200 x 600 x 800	86.61 x 23.62 x 31.50
PP2286	2200 x 800 x 600	86.61 x 31.50 x 23.62
PPOD2286	2200 x 800 x 600	86.61 x 31.50 x 23.62
PP2288	2200 x 800 x 800	86.61 x 31.50 x 31.50

- Standard Configuration
- Frame
 - Solid Door
 - Solid Top
 - Solid Cover
 - Gland Plate
 - Full Subpanel
 - Lifting Eyes



87782537