

INLINE® Enclosures

INLINE®, Type 4



Industry Standards

Mounting brackets required to meet UL/CSA external mounting requirements.

UL 508A Listed; Type 3, 4, 12; File No. E61997
cUL Listed per CSA C22.2 No. 94; Type 3, 4, 12; File No. E61997

NEMA/EEMAC Type 4 and 12
CSA, File No. 42186: Type 4 and 12
IEC 60529, IP66

Application

Aesthetic styling, with an attractive, durable light-gray finish, makes INLINE® Enclosures an excellent choice when style and functionality are important. INLINE Enclosures have an outward formed flange to prevent contaminants from entering the enclosure and are available in three versions: window door, hinged solid door and solid screw cover.

Specifications

- Metric dimensions
- 1.4-mm (16 gauge) steel
- Seams continuously welded and ground smooth
- External formed body flange
- Large perimeter body opening
- Fastening holes in back of body for direct mounting or optional external mounting brackets
- Seamless foam-in-place gasket
- Grounding stud on the body
- Bonding provision on the cover or door
- Furnished hardware kit includes panel mounting screws, grounding hardware and sealing washers for wall-mounting holes
- Installation instructions

INLINE Screw-Cover Enclosures

- Captivated cover screws with sealing bushings

INLINE Hinged-Door Enclosures

- 180-degree door opening
- Removable hinge pins
- Self-grounding, slotted quarter-turn latch

INLINE Window-Door Enclosures

- Flush-mounted 4.8-mm (3/16-in.) clear polycarbonate window
- 180-degree door opening
- Removable hinge pins
- Self-grounding, slotted quarter-turn latch

Finish

RAL 7035 textured light-gray polyester powder paint inside and out

Accessories

See also Accessories.

DIN Rail or Panel-Mounting Brackets
DIN3 Rails
Lock Inserts
Mounting-Bracket Kit
Panels for Junction Boxes
Wing Knob Latch

Modification and Customization

Hoffman excels at modifying and customizing products to your specifications. Contact your local Hoffman sales office or distributor for complete information.

Bulletin: A54

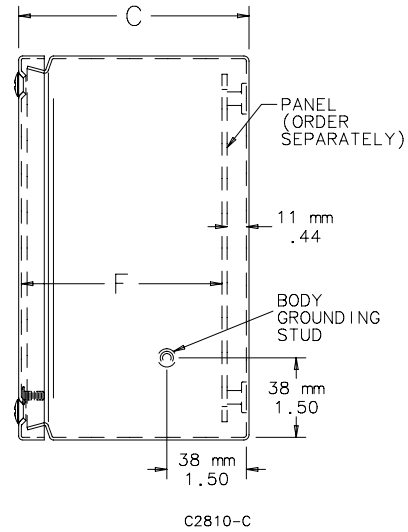
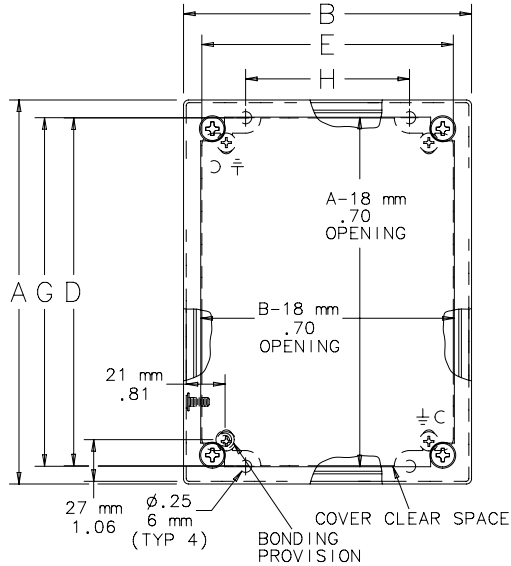
INLINE® Enclosures

Standard Product INLINE Screw-Cover Enclosures

Catalog Number	AxBxC in./mm	Panel	Conductive Panel	Panel Size D x E mm/in.	Mounting G x H mm/in.	F mm/in.
LSC151512	5.91 x 5.91 x 4.72	LP1515	LP1515G	131 x 131	132 x 85	105
	150 x 150 x 120			5.16 x 5.16	5.18 x 3.36	4.13
LSC201512	7.87 x 5.91 x 4.72	LP2015	LP2015G	181 x 131	182 x 85	105
	200 x 150 x 120			7.13 x 5.16	7.15 x 3.36	4.13
LSC252015	9.84 x 7.87 x 5.91	LP2520	LP2520G	231 x 181	232 x 135	135
	250 x 200 x 150			9.09 x 7.13	9.12 x 5.33	5.31
LSC302515	11.81 x 9.84 x 5.91	LP3025	LP3025G	281 x 231	281 x 185	135
	300 x 250 x 150			11.06 x 9.09	11.08 x 7.30	5.31
LSC353020	13.78 x 11.81 x 7.87	LP3530	LP3530G	331 x 281	331 x 235	185
	350 x 300 x 200			13.03 x 11.06	13.05 x 9.27	7.28

Purchase panels separately.

INLINE Screw Cover Enclosure



NOTE: Rear mounting holes will accommodate M6-1.0 or 1/4-20 UNC mounting screws (supplied by customer)

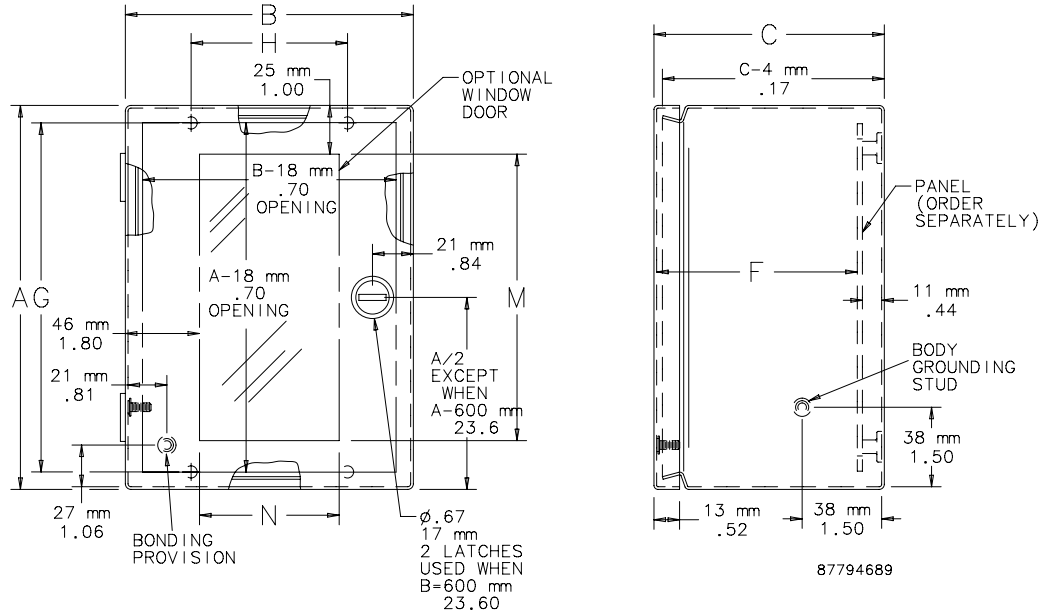
INLINE® Enclosures

Standard Product INLINE Hinged-Door Enclosures

Catalog Number	AxBxC in./mm	Panel	Conductive Panel	Panel Size D x E mm/in.	Mounting G x H mm/in.	F mm/in.
LHC151512	5.91 x 5.91 x 4.72	LP1515	LP1515G	131 x 131	132 x 85	105
	150 x 150 x 120			5.16 x 5.16	5.18 x 3.36	4.13
LHC201512	7.87 x 5.91 x 4.72	LP2015	LP2015G	181 x 131	182 x 85	105
	200 x 150 x 120			7.13 x 5.16	7.15 x 3.36	4.13
LHC252015	9.84 x 7.87 x 5.91	LP2520	LP2520G	231 x 181	232 x 135	135
	250 x 200 x 150			9.09 x 7.13	9.12 x 5.33	5.31
LHC302515	11.81 x 9.84 x 5.91	LP3025	LP3025G	281 x 231	281 x 185	135
	300 x 250 x 150			11.06 x 9.09	11.08 x 7.30	5.31
LHC353020	13.78 x 11.81 x 7.87	LP3530	LP3530G	331 x 281	331 x 235	185
	350 x 300 x 200			13.03 x 11.06	13.05 x 9.27	7.28

Purchase panels separately.

INLINE Hinged Door and Window Door Enclosures



INLINE® Enclosures

Standard Product **INLINE Window-Door Enclosures**

Catalog Number	AxBxCin./mm	Panel	Conductive Panel	Panel Size D x E mm/in.	Mounting G x H mm/in.	Window Size M x N mm/in.	F mm/in.
LWC201512	7.87 x 5.91 x 4.72	LP2015	LP2015G	181 x 131	182 x 85	149 x 65	101
	200 x 150 x 120			7.13 x 5.16	7.15 x 3.36	5.87 x 2.31	3.98
LWC252015	9.84 x 7.87 x 5.91	LP2520	LP2520G	231 x 181	232 x 135	199 x 115	131
	250 x 200 x 150			9.09 x 7.13	9.12 x 5.33	7.83 x 4.24	5.16
LWC302515	11.81 x 9.84 x 5.91	LP3025	LP3025G	281 x 231	281 x 185	249 x 165	131
	300 x 250 x 150			11.06 x 9.09	11.08 x 7.30	9.80 x 6.25	5.16
LWC204015	7.87 x 15.75 x 5.91	LP2040	LP2040G	181 x 381	182 x 335	115 x 349	131
	200 x 400 x 150			7.13 x 15.00	7.15 x 13.20	4.53 x 13.49	5.16
LWC206015	7.87 x 23.62 x 5.91	LP2060	LP2060G	181 x 581	182 x 535	115 x 549	131
	200 x 600 x 150			7.13 x 21.06	7.15 x 21.08	4.53 x 21.36	5.16

Purchase panels separately.

LWC204015 and LWC206015 are hinged on "B" side of enclosure.

INLINE Hinged Door and Window Door Enclosures

