

Fiberglass Hinged-Cover Type 4X WiFi Cabinet and Accessories

Hinged Cover WiFi, Type 4X



Industry Standards

UL 508A Listed; Type 4, 4X, 12, 13; File No. E61997
 cUL Listed per CSA C22.2 No 94; Type 4, 4X, 12, 13; File No. E61997
 Enclosure flammability rating per UL 508

NEMA/EEMAC Type 4, 4X, 12, and 13
 Window flammability rating per UL 508
 CSA File No. LR42186; Type 4, 4X, 12, and 13
 IEC 60529, IP66
 Cabinets with solid doors are plenum rated.

Application

The fiberglass WiFi Cabinet is a secure, hinged enclosure that does not impede WiFi or WLAN signals. It is ideal for housing wireless equipment in locations such as tunnels, floor vaults, marinas, outside walls or rooftops.

Features

- Fiberglass is easily punched, drilled, filed or sawed
- Seamless foam-in-place gasket assures watertight and dusttight seal
- Molded-in-place threaded brass inserts and plated steel screws are provided for mounting optional panels and terminal block kits
- Removable hinged cover attached to body with Type 316 stainless steel hinge pin
- Screw cover enclosures are secured with two captivated Type 316 stainless steel slotted cross-point cover screws
- Available quick-release latches are corrosion-resistant polyester located in corners to provide unobstructed access to enclosure
- Knockout padlock provisions included in each latch

Specifications

- Enclosure and door made of molded fiberglass polyester that resists chemicals and temperature change
- Scratch-resistant GE Lexan Margard® windows are permanently bonded in place
- Polyester mounting brackets and stainless steel attachment screws are provided with each enclosure
- Hinge pin and bail are corrosion-resistant Type 316 stainless steel
- Includes a 3/4-in. plywood panel for mounting equipment

Finish

Fiberglass material is light gray inside and out.

Bulletin: DWS12

Standard Product Solid Door

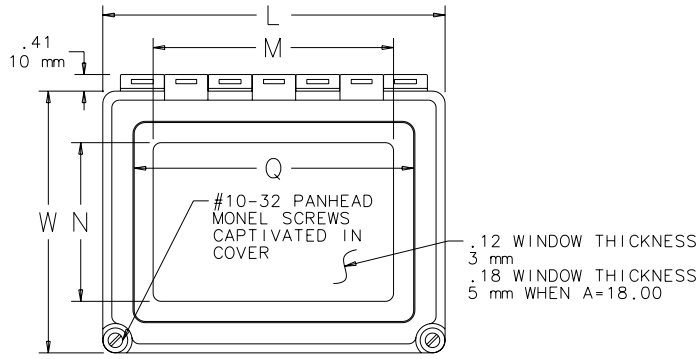
Catalog Number	AxBxC in./mm	Panel	Panel	Mounting	Overall Size								
			DXE in./mm	G x H in./mm	L x W in./mm	J in./mm	K in./mm	O in./mm	P in./mm	Q in./mm	R in./mm	T in./mm	U in./mm
D664CHSCFGP	6.00 x 6.00 x 4.00	A6P6WD	4.88 x 4.88	6.94 x 4.00	6.50 x 6.50	3.25	1.00	4.25	4.25	5.64	5.12	.12	5.64
	152 x 152 x 102		124 x 124	176 x 102	165 x 165	83	25	108	108	143	130	3	143
D16148CHSCFGP	16.00 x 14.00 x 8.00	A16P14WD	14.75 x 12.88	16.94 x 12.00	16.55 x 14.55	6.23	2.08	12.25	14.25	15.56	15.12	.15	13.56
	407 x 356 x 203		375 x 327	430 x 305	420 x 370	158	53	311	362	395	384	4	344
D181610CHSCFGP	18.00 x 16.00 x 10.00	A18P16WD	16.75 x 14.88	18.94 x 14.00	18.58 x 16.58	7.66	2.66	14.25	16.25	17.53	17.12	.16	15.53
	457 x 407 x 254		425 x 378	481 x 356	472 x 421	195	68	362	413	445	435	4	394

Wood panels included with enclosure. Optional steel panels must be ordered separately.

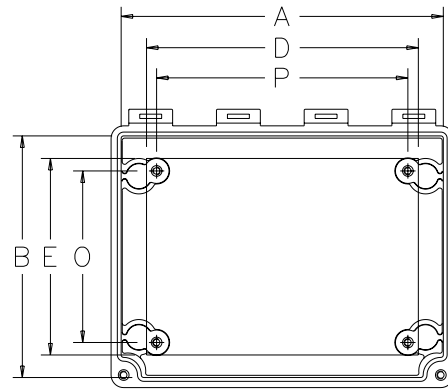
Standard Product Window Door

Catalog Number	AxBxC in./mm	Panel	Panel	Mounting	Overall Size								
			DXE in./mm	G x H in./mm	L x W in./mm	J in./mm	K in./mm	O in./mm	P in./mm	Q in./mm	R in./mm	T in./mm	U in./mm
D664CHSCFGWP	6.00 x 6.00 x 4.00	A6P6WD	4.88 x 4.88	6.94 x 4.00	6.50 x 6.50	3.25	1.00	4.25	4.25	5.64	5.12	.12	5.64
	152 x 152 x 102		124 x 124	176 x 102	165 x 165	83	25	108	108	143	130	3	143
D16148CHSCFGWP	16.00 x 14.00 x 8.00	A16P14WD	14.75 x 12.88	16.94 x 12.00	16.55 x 14.55	6.23	2.08	12.25	14.25	15.56	15.12	.15	13.56
	407 x 356 x 203		375 x 327	430 x 305	420 x 370	158	53	311	362	395	384	4	344
D181610CHSCFGWP	18.00 x 16.00 x 10.00	A18P16WD	16.75 x 14.88	18.94 x 14.00	18.58 x 16.58	7.66	2.66	14.25	16.25	17.53	17.12	.16	15.53
	457 x 407 x 254		425 x 378	481 x 356	472 x 421	195	68	362	413	445	435	4	394

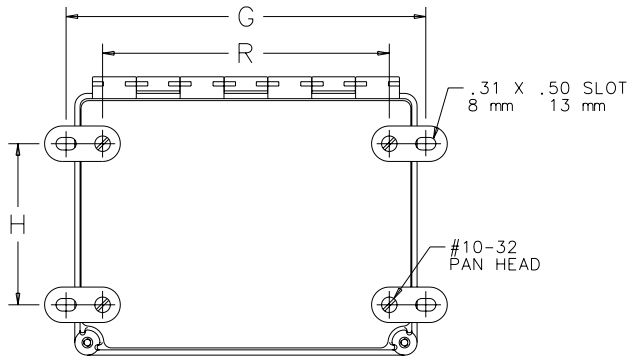
Fiberglass Hinged-Cover Type 4X WiFi Cabinet and Accessories



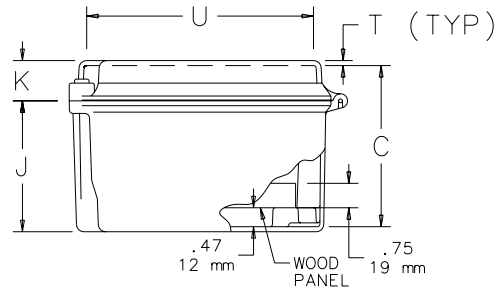
TOP VIEW



TOP VIEW WITH COVER REMOVED



BOTTOM VIEW



END VIEW

87792464

Fiberglass Hinged-Cover Type 4X WiFi Cabinet and Accessories

Threaded Panel Extenders



Threaded Panel Extenders are made of plated steel and designed to raise the panel mounting surface. Extenders attach to threaded internal pads. Male and female thread size is 10-32. Each kit contains 4 extenders.

Bulletin: A80

Catalog Number	Length (in.)	Length (mm)
APE050	0.50	13
APE100	1.00	25

Quick-Release Latch Kit



Two fiberglass-reinforced gray polyester latches with 316L stainless steel bail and screw-hole plugs are included in each package. Supplied with Continuous Hinge, Type 4X enclosures and available for Fiberglass Hinged Cover WiFi Cabinet, Type 4X. Kit converts screw-cover enclosures to quick-release without modification. No tools needed to install. Padlocking provision is included.

Bulletin: A48Y

Catalog Number	Description	Kit Qty.
AL48	Quick-Release Latch Kit	2

Swing-Out Panel Kit



The Swing-Out Panel Kit provides an attractive, cost-effective solution for installing front-mounted panels in Continuous Hinge, Type 4X, and Overlapping Cover, Type 4X enclosures. No drilling required.

Bulletin: A48Y

Catalog Number	Fits Enclosure	
	A x B (in.)	A x B (mm)
A6SPK6C	6.00 x 6.00	152 x 152
A8SPK6C	8.00 x 6.00	203 x 152
A10SPK8C	10.00 x 8.00	254 x 203
A12SPK10C	12.00 x 10.00	305 x 254
A16SPK14C	16.00 x 14.00	406 x 356
A18SPK16C	18.00 x 16.00	457 x 406
A14SPK12C	14.00 x 12.00	356 x 305

Fiberglass Hinged-Cover Type 4X WiFi Cabinet and Accessories

Panels for WiFi Cabinets and Small Wall-Mount Enclosures



Panels are available in both steel and wood. Steel panels are 14 gauge steel with a white polyester powder paint finish. Wood panels are 3/4-in. plywood and are unfinished. Wood panels are supplied with Fiberglass Hinged-Cover and POLYPRO® Type 4X WiFi Cabinets.

Bulletin: DWS12, PNLJ, PNLWM

Catalog Number	Material	Panel Size D x E (in.)	Panel Size D x E (mm)	V (in.)	V (mm)
A6P6	Steel	4.88 x 4.88	124 x 124	0.31	8
A6P6WD	Wood	4.88 x 4.88	124 x 124	0.31	8
A16P14	Steel	14.75 x 12.88	375 x 327	0.25	6
A16P14WD	Wood	14.75 x 12.88	375 x 327	0.25	6
A18P16	Steel	16.75 x 14.88	425 x 378	0.25	6
A18P16WD	Wood	16.75 x 14.88	425 x 378	0.25	6

