

INLINE®, Type 4X



Industry Standards

Mounting brackets required to meet UL/CSA external mounting requirements.

UL 508A Listed; Type 4, 4X, 12; File No. E61997

NEMA/EEMAC Type 4, 4X, 12
CSA File No. 42186: Type 4, 4X, 12
IEC 60529, IP66

Application

Aesthetic styling, flush latches and an attractive, stroked finish make INLINE® Enclosures an excellent choice when style and functionality are important. INLINE Enclosures have an outward formed body flange to prevent contaminants from entering the enclosure and are available in three cover styles: hinged window door, hinged solid door and solid screw cover.

Specifications

- 16 gauge covers and doors and 14 gauge bodies; Type 304 or 316L stainless steel
- Seams continuously welded and ground smooth
- External formed body flange trough
- Large perimeter body opening
- Fastening holes in back of body for direct mounting or optional external mounting brackets
- Seamless foam-in-place gasket
- M6 bonding provision on cover, M6 ground stud in body
- Furnished hardware kit includes panel mounting screws, grounding hardware and sealing washers for wall-mounting holes

INLINE Screw-Cover Enclosures

- Captivated Type 316 stainless steel cover screws with sealing bushings made of a durable composite material
- Integral compression stops maintain optimal gasket compression

INLINE Hinged-Door Enclosures

- 180-degree door opening
- Removable Type 316 stainless steel hinge pins
- Standard self-grounding, slotted, quarter-turn Type 316 stainless steel latch system with double seal

INLINE Window-Door Enclosures

- 3/16-in. (4.8-mm) clear polycarbonate window is mounted flush with cover surface
- 180-degree door opening
- Removable Type 316 stainless steel hinge pins
- Standard self-grounding, slotted, quarter-turn Type 316 stainless steel latch system with double seal

Finish

Cover and body have smooth #4 brushed finish.

Accessories

See also Accessories.

DIN Rail or Panel Mounting Brackets
DIN3 Type Rails
Key Inserts
Mounting Bracket Kit
INLINE® Panels
Wing Knob Latch

Modification and Customization

Hoffman excels at modifying and customizing products to your specifications. Contact your local Hoffman sales office or distributor for complete information.

Bulletin: A54S

INLINE® Instrumentation Enclosures

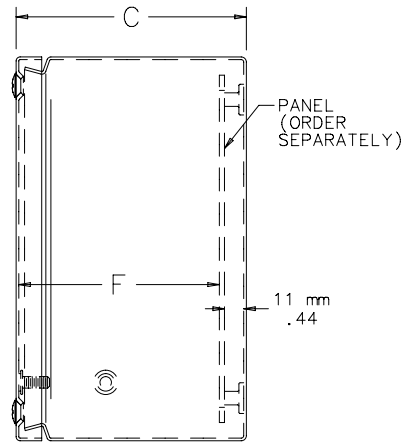
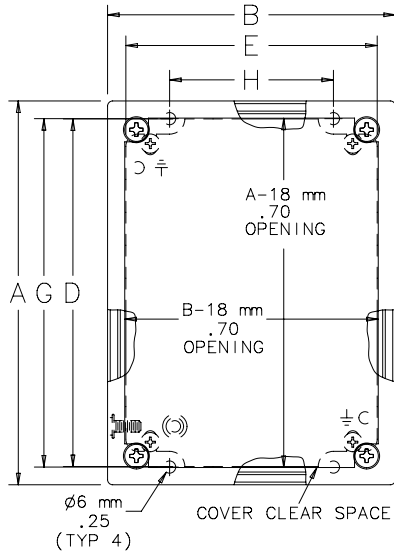
Standard Product **Screw-Cover**

Catalog Number	AxBxC in./mm	Stainless Steel Type	Steel Panel	Conductive Panel	Panel Size D x E mm/in.	Mounting G x H mm/in.	F mm/in.
LSC151512SS	5.91 x 5.91 x 4.72 150 x 150 x 120	304	LP1515	LP1515G	131 x 131 5.16 x 5.16	132 x 85 5.18 x 3.36	105 4.13
LSC151512SS6	5.91 x 5.91 x 4.72 150 x 150 x 120	316L	LP1515	LP1515G	131 x 131 5.16 x 5.16	132 x 85 5.18 x 3.36	105 4.13
LSC201512SS	7.87 x 5.91 x 4.72 200 x 150 x 120	304	LP2015	LP2015G	181 x 131 7.13 x 5.16	182 x 85 7.15 x 3.35	105 4.13
LSC201512SS6	7.87 x 5.91 x 4.72 200 x 150 x 120	316L	LP2015	LP2015G	181 x 131 7.13 x 5.16	182 x 85 7.15 x 3.35	105 4.13
LSC252015SS	9.84 x 7.87 x 5.91 250 x 200 x 150	304	LP2520	LP2520G	231 x 181 9.09 x 7.13	232 x 135 9.12 x 5.33	135 5.31
LSC252015SS6	9.84 x 7.87 x 5.91 250 x 200 x 150	316L	LP2520	LP2520G	231 x 181 9.09 x 7.13	232 x 135 9.12 x 5.33	135 5.31
LSC302515SS	11.81 x 9.84 x 5.91 300 x 250 x 150	304	LP3025	LP3025G	281 x 231 11.06 x 9.09	281 x 185 11.08 x 7.30	135 5.31
LSC302515SS6	11.81 x 9.84 x 5.91 300 x 250 x 150	316L	LP3025	LP3025G	281 x 231 11.06 x 9.09	281 x 185 11.08 x 7.30	135 5.31
LSC353020SS	13.78 x 11.81 x 7.87 350 x 300 x 200	304	LP3530	LP3530G	331 x 281 13.03 x 11.06	331 x 235 13.05 x 9.27	185 7.28
LSC353020SS6	13.78 x 11.81 x 7.87 350 x 300 x 200	316L	LP3530	LP3530G	331 x 281 13.03 x 11.06	331 x 235 13.05 x 9.27	185 7.28

Purchase panels separately.

Catalog numbers ending in 6 are Type 316L stainless steel.

INLINE® Stainless Steel Screw Cover Enclosure



11C59187

- NOTE:
1. Panels are 2.7mm (12 gauge) steel or conductive steel.
 2. Panel screws are M5-0.8 pan head.
 3. Rear mounting holes will accommodate M6-1.0 or 1/4-20 UNC mounting screws (supplied by customer).

INLINE® Instrumentation Enclosures

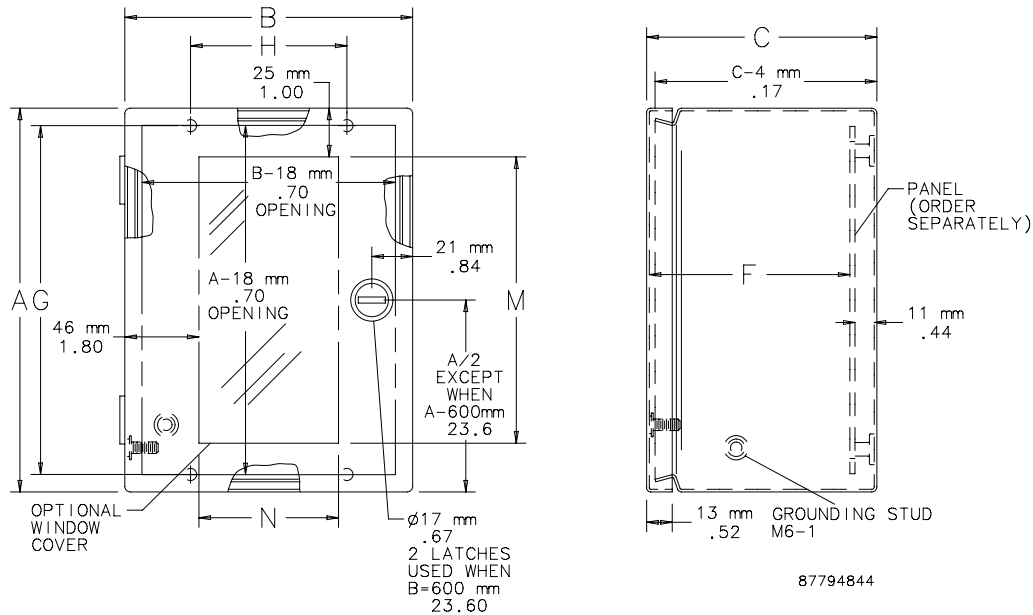
Standard Product Hinged-Cover

Catalog Number	AxBxC in./mm	Stainless Steel Type	Steel Panel	Conductive Panel	Panel Size D x E in./mm	Mounting G x H mm/in.	F in./mm
LHC151512SS	5.91 x 5.91 x 4.72 150 x 150 x 120	304	LP1515	LP1515G	5.16 x 5.16 131 x 131	132 x 85 5.18 x 3.36	4.13 105
LHC151512SS6	5.91 x 5.91 x 4.72 150 x 150 x 120	316L	LP1515	LP1515G	5.16 x 5.16 131 x 131	132 x 85 5.18 x 3.36	4.13 105
LHC201512SS	7.87 x 5.91 x 4.72 200 x 150 x 120	304	LP2015	LP2015G	7.13 x 5.16 181 x 131	182 x 85 7.15 x 3.36	4.13 105
LHC201512SS6	7.87 x 5.91 x 4.72 200 x 150 x 120	316L	LP2015	LP2015G	7.13 x 5.16 181 x 131	182 x 85 7.15 x 3.36	4.13 105
LHC252015SS	9.84 x 7.87 x 5.91 250 x 200 x 150	304	LP2520	LP2520G	9.09 x 7.13 231 x 181	232 x 135 9.12 x 5.33	5.31 135
LHC252015SS6	9.84 x 7.87 x 5.91 250 x 200 x 150	316L	LP2520	LP2520G	9.09 x 7.13 231 x 181	232 x 135 9.12 x 5.33	5.31 135
LHC302515SS	11.81 x 9.84 x 5.91 300 x 250 x 150	304	LP3025	LP3025G	11.06 x 9.09 281 x 231	281 x 185 11.08 x 7.30	5.31 135
LHC302515SS6	11.81 x 9.84 x 5.91 300 x 250 x 150	316L	LP3025	LP3025G	11.06 x 9.09 281 x 231	281 x 185 11.08 x 7.30	5.31 135
LHC353020SS	13.78 x 11.81 x 7.87 350 x 300 x 200	304	LP3530	LP3530G	13.03 x 11.06 331 x 281	331 x 235 13.05 x 9.27	7.28 185
LHC353020SS6	13.78 x 11.81 x 7.87 350 x 300 x 200	316L	LP3530	LP3530G	13.03 x 11.06 331 x 281	331 x 235 13.05 x 9.27	7.28 185

Purchase panels separately.

Catalog numbers ending in 6 are Type 316L stainless steel.

INLINE® Stainless Steel Hinged Door and Window Door Enclosure



NOTE: Hinged on "B" side of enclosure when B = 400 mm or 600 mm.

INLINE® Instrumentation Enclosures

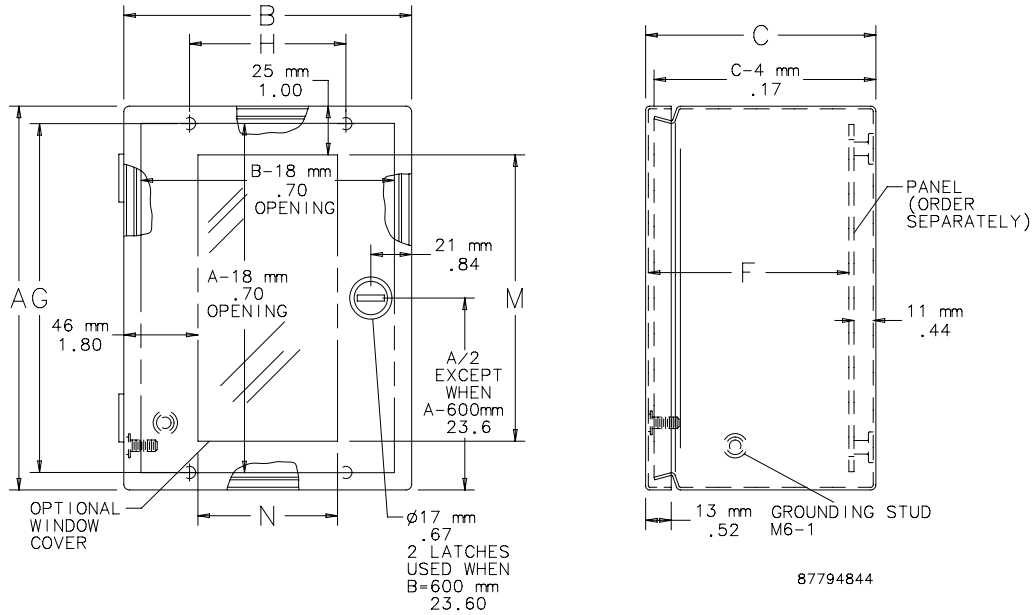
Standard Product **Window-Door**

Catalog Number	AxBxC in./mm	Stainless Steel Type	Steel Panel	Conductive Panel	Panel Size D x E in./mm	Mounting G x H mm/in.	Window Size M x N in./mm	F in./mm
LWC201512SS	7.87 x 5.91 x 4.72 200 x 150 x 120	304	LP2015	LP2015G	7.13 x 5.16 181 x 131	182 x 85 7.15 x 3.36	5.87 x 2.56 149 x 65	3.98 101
LWC201512SS6	7.87 x 5.91 x 4.72 200 x 150 x 120	316L	LP2015	LP2015G	7.13 x 5.16 181 x 131	182 x 85 7.15 x 3.36	5.87 x 2.56 149 x 65	3.98 101
LWC252015SS	9.84 x 7.87 x 5.91 250 x 200 x 150	304	LP2520	LP2520G	9.09 x 7.13 231 x 181	232 x 135 9.12 x 5.33	7.83 x 4.53 199 x 115	5.16 131
LWC252015SS6	9.84 x 7.87 x 5.91 250 x 200 x 150	316L	LP2520	LP2520G	9.09 x 7.13 231 x 181	232 x 135 9.12 x 5.33	7.83 x 4.53 199 x 115	5.16 131
LWC302515SS	11.81 x 9.84 x 5.91 300 x 250 x 150	304	LP3025	LP3025G	11.06 x 9.09 281 x 231	281 x 185 11.08 x 7.30	9.80 x 6.50 249 x 165	5.16 131
LWC302515SS6	11.81 x 9.84 x 5.91 300 x 250 x 150	316L	LP3025	LP3025G	11.06 x 9.09 281 x 231	281 x 185 11.08 x 7.30	9.80 x 6.50 249 x 165	5.16 131
LWC204015SS	7.87 x 15.75 x 5.91 200 x 400 x 150	304	LP2040	LP2040G	7.13 x 15.00 181 x 381	182 x 335 7.15 x 13.20	4.53 x 13.74 115 x 349	5.16 131
LWC204015SS6	7.87 x 15.75 x 5.91 200 x 400 x 150	316L	LP2040	LP2040G	7.13 x 15.00 181 x 381	182 x 335 7.15 x 13.20	4.53 x 13.74 115 x 349	5.16 131
LWC206015SS	7.87 x 23.62 x 5.91 200 x 600 x 150	304	LP2060	LP2060G	7.13 x 22.87 181 x 581	182 x 535 7.15 x 21.08	4.53 x 21.61 115 x 549	5.16 131
LWC206015SS6	7.87 x 23.62 x 5.91 200 x 600 x 150	316L	LP2060	LP2060G	7.13 x 22.87 181 x 581	182 x 535 7.15 x 21.08	4.53 x 21.61 115 x 549	5.16 131

Purchase panels separately.

Catalog numbers ending in 6 are Type 316L stainless steel.

INLINE® Stainless Steel Hinged Door and Window Door Enclosure



NOTE: Hinged on "B" side of enclosure when B = 400 mm or 600 mm.