

Clamp Cover

Clamp Cover, Type 4X



Application

Used in either corrosive or outdoor applications, Clamp Cover Enclosures combine a seamless foam-in-place gasket with stainless steel screw-down clamps for a consistent and reliable seal, yet the cover is easily removed for access and modifications.

Specifications

- 16 and 14 gauge Type 304 or 316L stainless steel
- Seams continuously welded and ground smooth
- Seamless foam-in-place gasket
- Stainless steel screws and clamps
- Weldnuts provided for mounting optional panels and terminal block kits in size 6.00 x 4.00 in. (152 x 102 mm) and larger
- Bonding provision on door and body

Finish

Cover and sides of body have smooth #4 brushed finish.

Accessories

See also *Accessories*.

Fast-Operating Clamp-Cover Junction Box Clamp

Panels for Junction Boxes

Terminal Block Kit Assembly for Junction Boxes Overview

Steel and Stainless Steel Window Kits

Modification and Customization

Hoffman excels at modifying and customizing products to your specifications. Contact your local Hoffman sales office or distributor for complete information.

Bulletin: A51S

Industry Standards

UL 50 Listed; Type 3R, 4, 4X, 12; File No. E27525
 cUL Listed per CSA C22.2 No 94; Type 3R, 4, 4X, 12; File No. E27525
 UL 508A, 508 Listed; Type 3R, 4, 4X, 12; File No. E61997
 cUL Listed per CSA C22.2 No 94; Type 3R, 4, 4X, 12; File No. E61997

NEMA/EEMAC Type 3R, 4, 4X, 12, 13

CSA File No. 42184: Type 4, 4X, 12

IEC 60529, IP66

Meets Type 3RX requirements

Standard Product

| Catalog Number | AxBxC in./mm | UL Listed | Body Gauge | Cover Gauge | Steel Panel | Conductive Steel Panel | Panel Size D x E in./mm | Mounting G x H in./mm | Overall L x W in./mm | F in./mm | J in./mm | M in./mm | N in./mm | T in./mm | V in./mm | Y in./mm |
|----------------|----------------------|-----------|------------|-------------|-------------|------------------------|-------------------------|-----------------------|----------------------|----------|----------|----------|----------|----------|----------|----------|
| A404NFSS | 4.00 x 4.00 x 3.00 | 508A | 16 | 16 | No Panel | No Panel | No Panel | 4.75 x 2.00 | 5.50 x 5.38 | — | 2.56 | 1.38 | 1.38 | 3.00 | — | — |
| | 102 x 102 x 76 | | | | | | No Panel | 121 x 51 | 140 x 137 | — | 65 | 35 | 35 | 76 | — | — |
| A404NFSS6 | 4.00 x 4.00 x 3.00 | 508A | 16 | 16 | No Panel | No Panel | No Panel | 4.75 x 2.00 | 5.50 x 5.38 | — | 2.56 | 1.38 | 1.38 | 3.00 | — | — |
| | 102 x 102 x 76 | | | | | | No Panel | 121 x 51 | 140 x 137 | — | 65 | 35 | 35 | 76 | — | — |
| A6044NFSS | 6.00 x 4.00 x 4.00 | 508A | 16 | 16 | A6P4 | A6P4G | 4.88 x 2.88 | 6.75 x 2.00 | 7.50 x 5.38 | 3.50 | 3.56 | 1.38 | 1.38 | 3.00 | 0.31 | 0.56 |
| | 152 x 102 x 102 | | | | | | 124 x 73 | 171 x 51 | 191 x 137 | 89 | 90 | 35 | 35 | 76 | 8 | 14 |
| A6044NFSS6 | 6.00 x 4.00 x 4.00 | 508A | 16 | 16 | A6P4 | A6P4G | 4.88 x 2.88 | 6.75 x 2.00 | 7.50 x 5.38 | 3.50 | 3.56 | 1.38 | 1.38 | 3.00 | 0.31 | 0.56 |
| | 152 x 102 x 102 | | | | | | 124 x 73 | 171 x 51 | 191 x 137 | 89 | 90 | 35 | 35 | 76 | 8 | 14 |
| A8064NFSS | 8.00 x 6.00 x 4.00 | 50, 50E | 14 | 16 | A8P6 | A8P6G | 6.75 x 4.88 | 8.75 x 4.00 | 9.50 x 7.38 | 3.50 | 3.56 | — | 1.38 | 5.00 | 0.25 | 0.62 |
| | 203 x 152 x 102 | | | | | | 171 x 124 | 222 x 102 | 241 x 187 | 89 | 90 | — | 35 | 127 | 6 | 16 |
| A8064NFSS6 | 8.00 x 6.00 x 4.00 | 50, 50E | 14 | 16 | A8P6 | A8P6G | 6.75 x 4.88 | 8.75 x 4.00 | 9.50 x 7.38 | 3.50 | 3.56 | — | 1.38 | 5.00 | 0.25 | 0.62 |
| | 203 x 152 x 102 | | | | | | 171 x 124 | 222 x 102 | 241 x 187 | 89 | 90 | — | 35 | 127 | 6 | 16 |
| A606NFSS | 6.00 x 6.00 x 4.00 | 50, 50E | 16 | 16 | A6P6 | A6P6G | 4.88 x 4.88 | 6.75 x 4.00 | 7.50 x 7.38 | 3.50 | 3.56 | 2.38 | 1.38 | 5.00 | 0.31 | 0.56 |
| | 152 x 152 x 102 | | | | | | 124 x 124 | 171 x 102 | 191 x 187 | 89 | 90 | 60 | 35 | 127 | 8 | 14 |
| A606NFSS6 | 6.00 x 6.00 x 4.00 | 50, 50E | 16 | 16 | A6P6 | A6P6G | 4.88 x 4.88 | 6.75 x 4.00 | 7.50 x 7.38 | 3.50 | 3.56 | 2.38 | 1.38 | 5.00 | 0.31 | 0.56 |
| | 152 x 152 x 102 | | | | | | 124 x 124 | 171 x 102 | 191 x 187 | 89 | 90 | 60 | 35 | 127 | 8 | 14 |
| A1008NFSS | 10.00 x 8.00 x 4.00 | 50, 50E | 14 | 16 | A10P8 | A10P8G | 8.75 x 6.88 | 10.75 x 6.00 | 11.50 x 9.38 | 3.50 | 3.56 | — | 1.38 | 7.00 | 0.25 | 0.62 |
| | 254 x 203 x 102 | | | | | | 222 x 175 | 273 x 152 | 292 x 238 | 89 | 90 | — | 35 | 178 | 6 | 16 |
| A1008NFSS6 | 10.00 x 8.00 x 4.00 | 50, 50E | 14 | 16 | A10P8 | A10P8G | 8.75 x 6.88 | 10.75 x 6.00 | 11.50 x 9.38 | 3.50 | 3.56 | — | 1.38 | 7.00 | 0.25 | 0.62 |
| | 254 x 203 x 102 | | | | | | 222 x 175 | 273 x 152 | 292 x 238 | 89 | 90 | — | 35 | 178 | 6 | 16 |
| A12106NFSS | 12.00 x 10.00 x 6.00 | 50, 50E | 14 | 16 | A12P10 | A12P10G | 10.75 x 8.88 | 12.75 x 8.00 | 13.50 x 11.38 | 5.50 | 5.56 | — | 2.38 | 9.00 | 0.25 | 0.62 |
| | 305 x 254 x 152 | | | | | | 273 x 225 | 324 x 203 | 343 x 289 | 140 | 141 | — | 60 | 229 | 6 | 16 |
| A12106NFSS6 | 12.00 x 10.00 x 6.00 | 50, 50E | 14 | 16 | A12P10 | A12P10G | 10.75 x 8.88 | 12.75 x 8.00 | 13.50 x 11.38 | 5.50 | 5.56 | — | 2.38 | 9.00 | 0.25 | 0.62 |
| | 305 x 254 x 152 | | | | | | 273 x 225 | 324 x 203 | 343 x 289 | 140 | 141 | — | 60 | 229 | 6 | 16 |
| A1412NFSS | 14.00 x 12.00 x 6.00 | 50, 50E | 14 | 16 | A14P12 | A14P12G | 12.75 x 10.88 | 14.75 x 10.00 | 15.50 x 13.38 | 5.50 | 5.56 | — | 2.38 | 11.00 | 0.25 | 0.62 |
| | 356 x 305 x 152 | | | | | | 324 x 276 | 375 x 254 | 394 x 340 | 140 | 141 | — | 60 | 279 | 6 | 16 |
| A1412NFSS6 | 14.00 x 12.00 x 6.00 | 50, 50E | 14 | 16 | A14P12 | A14P12G | 12.75 x 10.88 | 14.75 x 10.00 | 15.50 x 13.38 | 5.50 | 5.56 | — | 2.38 | 11.00 | 0.25 | 0.62 |
| | 356 x 305 x 152 | | | | | | 324 x 276 | 375 x 254 | 394 x 340 | 140 | 141 | — | 60 | 279 | 6 | 16 |
| A1614NFSS | 16.00 x 14.00 x 6.00 | 50, 50E | 14 | 16 | A16P14 | A16P14G | 14.75 x 12.88 | 16.75 x 12.00 | 17.50 x 15.38 | 5.50 | 5.56 | — | 2.38 | 13.00 | 0.25 | 0.62 |
| | 406 x 356 x 152 | | | | | | 375 x 327 | 425 x 305 | 445 x 391 | 140 | 141 | — | 60 | 330 | 6 | 16 |
| A1614NFSS6 | 16.00 x 14.00 x 6.00 | 50, 50E | 14 | 16 | A16P14 | A16P14G | 14.75 x 12.88 | 16.75 x 12.00 | 17.50 x 15.38 | 5.50 | 5.56 | — | 2.38 | 13.00 | 0.25 | 0.62 |
| | 406 x 356 x 152 | | | | | | 375 x 327 | 425 x 305 | 445 x 391 | 140 | 141 | — | 60 | 330 | 6 | 16 |

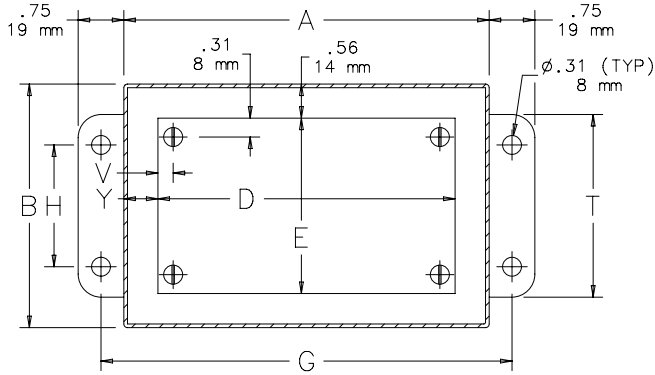
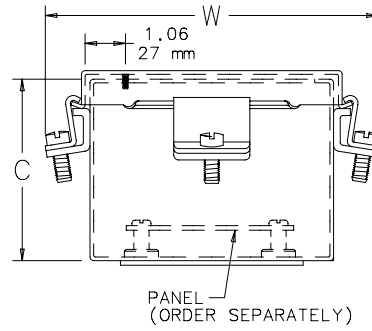
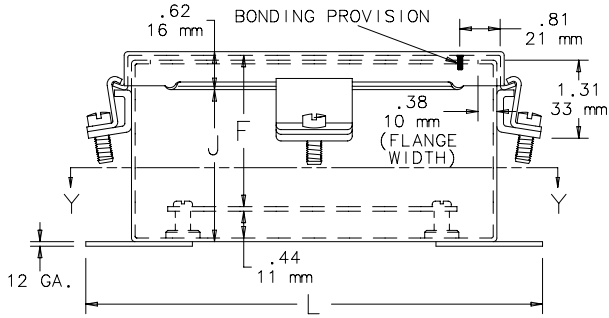
A404NFSS, A404NFSS6, A6044NFSS and A6044NFSS6 are UL 508A Listed.

The remaining catalog numbers are UL 50 Listed.

Catalog numbers ending in "6" are Type 316L stainless steel.

Purchase panels separately. Optional stainless steel, composite and aluminum panels are also available for most sizes.

Clamp Cover



SECTION Y-Y

NOTE:
1. Optional stainless steel, composite and aluminum panels are available for most sizes

CLAMP BRACKET LOCATIONS

