

## Clamp Cover

### Clamp Cover, Type 4X



#### Application

Used in either corrosive or outdoor applications, Clamp Cover Enclosures combine a seamless foam-in-place gasket with stainless steel screw-down clamps for a consistent and reliable seal, yet the cover is easily removed for access and modifications.

#### Specifications

- 16 and 14 gauge Type 304 or 316L stainless steel
- Seams continuously welded and ground smooth
- Seamless foam-in-place gasket
- Stainless steel screws and clamps
- Weldnuts provided for mounting optional panels and terminal block kits in size 6.00 x 4.00 in. (152 x 102 mm) and larger
- Bonding provision on door and body

#### Finish

Cover and sides of body have smooth #4 brushed finish.

#### Accessories

See also *Accessories*.

Fast-Operating Clamp-Cover Junction Box Clamp

Panels for Junction Boxes

Terminal Block Kit Assembly for Junction Boxes Overview

Steel and Stainless Steel Window Kits

#### Modification and Customization

Hoffman excels at modifying and customizing products to your specifications. Contact your local Hoffman sales office or distributor for complete information.

Bulletin: A51S

#### Industry Standards

UL 50 Listed; Type 3R, 4, 4X, 12; File No. E27525  
 cUL Listed per CSA C22.2 No 94; Type 3R, 4, 4X, 12; File No. E27525  
 UL 508A, 508 Listed; Type 3R, 4, 4X, 12; File No. E61997  
 cUL Listed per CSA C22.2 No 94; Type 3R, 4, 4X, 12; File No. E61997

NEMA/EEMAC Type 3R, 4, 4X, 12, 13

CSA File No. 42184: Type 4, 4X, 12

IEC 60529, IP66

Meets Type 3RX requirements

#### Standard Product

Catalog Number	AxBxC in./mm	UL Listed	Body Gauge	Cover Gauge	Steel Panel	Conductive Steel Panel	Panel Size D x E in./mm	Mounting G x H in./mm	Overall L x W in./mm	F in./mm	J in./mm	M in./mm	N in./mm	T in./mm	V in./mm	Y in./mm
A404NFSS	4.00 x 4.00 x 3.00	508A	16	16	No Panel	No Panel	No Panel	4.75 x 2.00	5.50 x 5.38	—	2.56	1.38	1.38	3.00	—	—
	102 x 102 x 76						No Panel	121 x 51	140 x 137	—	65	35	35	76	—	—
A404NFSS6	4.00 x 4.00 x 3.00	508A	16	16	No Panel	No Panel	No Panel	4.75 x 2.00	5.50 x 5.38	—	2.56	1.38	1.38	3.00	—	—
	102 x 102 x 76						No Panel	121 x 51	140 x 137	—	65	35	35	76	—	—
A6044NFSS	6.00 x 4.00 x 4.00	508A	16	16	A6P4	A6P4G	4.88 x 2.88	6.75 x 2.00	7.50 x 5.38	3.50	3.56	1.38	1.38	3.00	0.31	0.56
	152 x 102 x 102						124 x 73	171 x 51	191 x 137	89	90	35	35	76	8	14
A6044NFSS6	6.00 x 4.00 x 4.00	508A	16	16	A6P4	A6P4G	4.88 x 2.88	6.75 x 2.00	7.50 x 5.38	3.50	3.56	1.38	1.38	3.00	0.31	0.56
	152 x 102 x 102						124 x 73	171 x 51	191 x 137	89	90	35	35	76	8	14
A8064NFSS	8.00 x 6.00 x 4.00	50, 50E	14	16	A8P6	A8P6G	6.75 x 4.88	8.75 x 4.00	9.50 x 7.38	3.50	3.56	—	1.38	5.00	0.25	0.62
	203 x 152 x 102						171 x 124	222 x 102	241 x 187	89	90	—	35	127	6	16
A8064NFSS6	8.00 x 6.00 x 4.00	50, 50E	14	16	A8P6	A8P6G	6.75 x 4.88	8.75 x 4.00	9.50 x 7.38	3.50	3.56	—	1.38	5.00	0.25	0.62
	203 x 152 x 102						171 x 124	222 x 102	241 x 187	89	90	—	35	127	6	16
A606NFSS	6.00 x 6.00 x 4.00	50, 50E	16	16	A6P6	A6P6G	4.88 x 4.88	6.75 x 4.00	7.50 x 7.38	3.50	3.56	2.38	1.38	5.00	0.31	0.56
	152 x 152 x 102						124 x 124	171 x 102	191 x 187	89	90	60	35	127	8	14
A606NFSS6	6.00 x 6.00 x 4.00	50, 50E	16	16	A6P6	A6P6G	4.88 x 4.88	6.75 x 4.00	7.50 x 7.38	3.50	3.56	2.38	1.38	5.00	0.31	0.56
	152 x 152 x 102						124 x 124	171 x 102	191 x 187	89	90	60	35	127	8	14
A1008NFSS	10.00 x 8.00 x 4.00	50, 50E	14	16	A10P8	A10P8G	8.75 x 6.88	10.75 x 6.00	11.50 x 9.38	3.50	3.56	—	1.38	7.00	0.25	0.62
	254 x 203 x 102						222 x 175	273 x 152	292 x 238	89	90	—	35	178	6	16
A1008NFSS6	10.00 x 8.00 x 4.00	50, 50E	14	16	A10P8	A10P8G	8.75 x 6.88	10.75 x 6.00	11.50 x 9.38	3.50	3.56	—	1.38	7.00	0.25	0.62
	254 x 203 x 102						222 x 175	273 x 152	292 x 238	89	90	—	35	178	6	16
A12106NFSS	12.00 x 10.00 x 6.00	50, 50E	14	16	A12P10	A12P10G	10.75 x 8.88	12.75 x 8.00	13.50 x 11.38	5.50	5.56	—	2.38	9.00	0.25	0.62
	305 x 254 x 152						273 x 225	324 x 203	343 x 289	140	141	—	60	229	6	16
A12106NFSS6	12.00 x 10.00 x 6.00	50, 50E	14	16	A12P10	A12P10G	10.75 x 8.88	12.75 x 8.00	13.50 x 11.38	5.50	5.56	—	2.38	9.00	0.25	0.62
	305 x 254 x 152						273 x 225	324 x 203	343 x 289	140	141	—	60	229	6	16
A1412NFSS	14.00 x 12.00 x 6.00	50, 50E	14	16	A14P12	A14P12G	12.75 x 10.88	14.75 x 10.00	15.50 x 13.38	5.50	5.56	—	2.38	11.00	0.25	0.62
	356 x 305 x 152						324 x 276	375 x 254	394 x 340	140	141	—	60	279	6	16
A1412NFSS6	14.00 x 12.00 x 6.00	50, 50E	14	16	A14P12	A14P12G	12.75 x 10.88	14.75 x 10.00	15.50 x 13.38	5.50	5.56	—	2.38	11.00	0.25	0.62
	356 x 305 x 152						324 x 276	375 x 254	394 x 340	140	141	—	60	279	6	16
A1614NFSS	16.00 x 14.00 x 6.00	50, 50E	14	16	A16P14	A16P14G	14.75 x 12.88	16.75 x 12.00	17.50 x 15.38	5.50	5.56	—	2.38	13.00	0.25	0.62
	406 x 356 x 152						375 x 327	425 x 305	445 x 391	140	141	—	60	330	6	16
A1614NFSS6	16.00 x 14.00 x 6.00	50, 50E	14	16	A16P14	A16P14G	14.75 x 12.88	16.75 x 12.00	17.50 x 15.38	5.50	5.56	—	2.38	13.00	0.25	0.62
	406 x 356 x 152						375 x 327	425 x 305	445 x 391	140	141	—	60	330	6	16

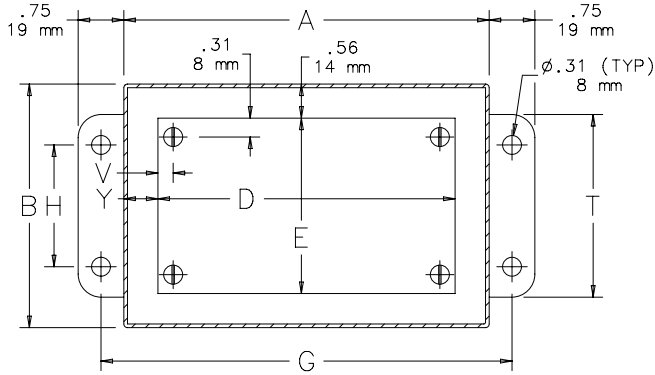
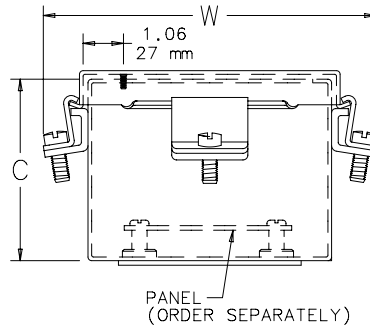
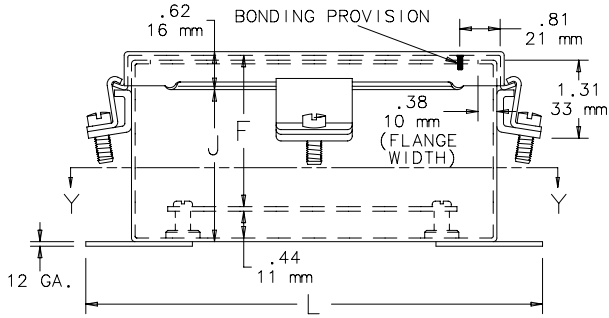
A404NFSS, A404NFSS6, A6044NFSS and A6044NFSS6 are UL 508A Listed.

The remaining catalog numbers are UL 50 Listed.

Catalog numbers ending in "6" are Type 316L stainless steel.

Purchase panels separately. Optional stainless steel, composite and aluminum panels are also available for most sizes.

**Clamp Cover**



SECTION Y-Y

NOTE:  
1. Optional stainless steel, composite and aluminum panels are available for most sizes

**CLAMP BRACKET LOCATIONS**

