

## Hinge Cover

### Continuous-Hinge with Clamps, Type 4X



#### Industry Standards

UL 50, 50E Listed; Type 3R, 4, 4X, 12; File No. E27567  
 cUL Listed per CSA C22.2 No 94; Type 3R, 4, 4X, 12; File No. E27567  
 UL 508A Listed; Type 3R, 4, 4X, 12; File No. E61997  
 cUL Listed per CSA C22.2 No 94; Type 3R, 4, 4X, 12; File No. E61997

NEMA/EEMAC Type 3R, 4, 4X, 12, 13  
 CSA File No. 42184: Type 4, 4X, 12  
 IEC 60529, IP66  
 Meets NEMA Type 3RX requirements

#### Application

Used in either indoor or outdoor applications, these enclosures combine a rugged continuous hinge, seamless foam-in-place gasket and stainless steel screw-down clamps for a reliable seal that protects components from corrosive environments.

#### Specifications

- 16 and 14 gauge Type 304 or 316L stainless steel
- Seams continuously welded and ground smooth
- Seamless foam-in-place gasket
- Stainless steel screws and clamps
- Pull stainless steel continuous hinge pin to remove door
- Weldnuts provided for mounting optional panels and terminal block kits
- Bonding provision on door and body

#### Finish

Cover and sides of body have smooth #4 brushed finish.

#### Accessories

See also *Accessories*.

- Fast-Operating Clamp-Cover Junction Box Clamp
- Lock Kit for Clamp Cover Junction Boxes
- Panels for Junction Boxes
- Terminal Block Kit Assembly for Junction Boxes Overview

#### Modification and Customization

Hoffman excels at modifying and customizing products to your specifications. Contact your local Hoffman sales office or distributor for complete information.

Bulletin: A51S

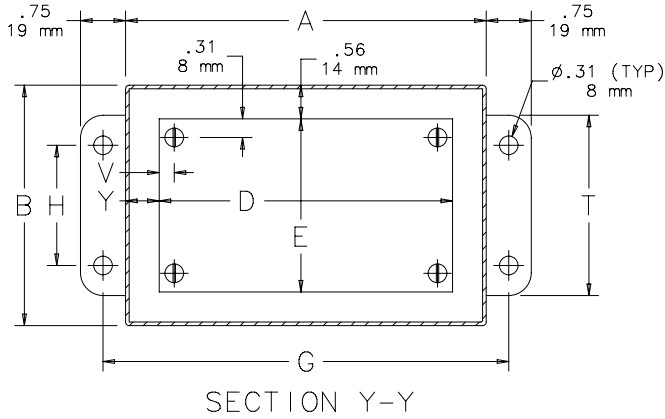
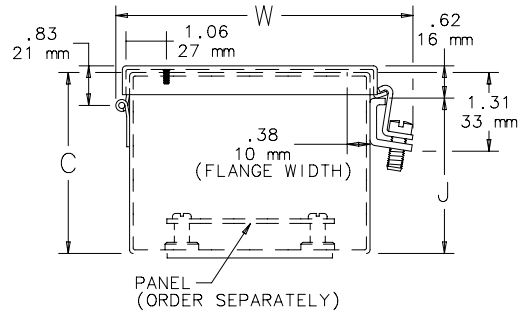
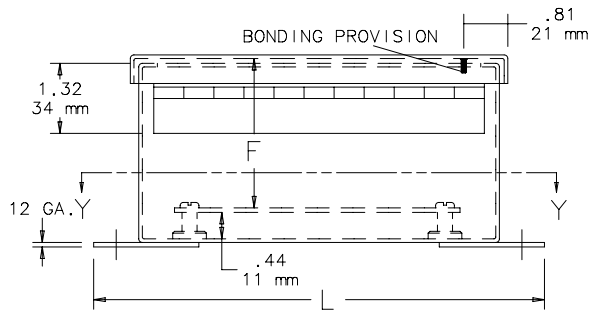
#### Standard Product

Catalog Number	AxBxC in./mm	Stainless Steel		Body Gauge	Cover Gauge	Steel Panel	Conductive Panel	Panel Size		Mounting		Overall					
		Type	UL Listed					D x E in./mm	G x H in./mm	L x W in./mm	F in./mm	J in./mm	N in./mm	T in./mm	V in./mm	Y in./mm	
A6044CHNFSS	6.00 x 4.00 x 4.00	304	508A	16	16	A6P4	A6P4G	4.88 x 2.88	6.75 x 2.00	7.50 x 4.94	3.50	3.62	2.38	3.00	0.31	0.56	
	152 x 102 x 102							124 x 73	171 x 51	191 x 125	89	92	60	76	8	14	
A606CHNFSS	6.00 x 6.00 x 4.00	304	50, 50E	16	16	A6P6	A6P6G	4.88 x 4.88	6.75 x 4.00	7.50 x 6.94	3.50	3.62	2.38	5.00	0.31	0.56	
	152 x 152 x 102							124 x 124	171 x 102	191 x 176	89	92	60	127	8	14	
A8064CHNFSS	8.00 x 6.00 x 4.00	304	50, 50E	14	16	A8P6	A8P6G	6.75 x 4.88	8.75 x 4.00	9.50 x 6.94	3.50	3.62	1.38	5.00	0.25	0.62	
	203 x 152 x 102							171 x 124	222 x 102	241 x 176	89	92	35	127	6	16	
A1008CHNFSS	10.00 x 8.00 x 4.00	304	50, 50E	14	16	A10P8	A10P8G	8.75 x 6.88	10.75 x 6.00	11.50 x 8.94	3.50	3.62	1.38	7.00	0.25	0.62	
	254 x 203 x 102							222 x 175	273 x 152	292 x 227	89	92	35	178	6	16	
A12106CHNFSS	12.00 x 10.00 x 6.00	304	50, 50E	14	16	A12P10	A12P10G	10.75 x 8.88	12.75 x 8.00	13.50 x 10.94	5.50	5.62	2.38	9.00	0.25	0.62	
	305 x 254 x 152							273 x 225	324 x 203	343 x 278	140	143	60	229	6	16	
A1212CHNFSS	12.00 x 12.00 x 6.00	304	50, 50E	14	16	A12P12	A12P12G	10.75 x 10.88	12.75 x 10.00	13.50 x 12.94	5.50	5.62	2.38	11.00	0.25	0.62	
	305 x 305 x 152							273 x 276	324 x 254	343 x 329	140	143	60	279	6	16	
A1412CHNFSS	14.00 x 12.00 x 6.00	304	50, 50E	14	16	A14P12	A14P12G	12.75 x 10.88	14.75 x 10.00	15.50 x 12.94	5.50	5.62	2.38	11.00	0.25	0.62	
	356 x 305 x 152							324 x 276	375 x 254	394 x 329	140	143	60	279	6	16	
A1614CHNFSS	16.00 x 14.00 x 6.00	304	508A	14	16	A16P14	A16P14G	14.75 x 12.88	16.75 x 12.00	17.50 x 14.94	5.50	5.62	2.38	13.00	0.25	0.62	
	406 x 356 x 152							375 x 327	425 x 305	445 x 379	140	143	60	330	6	16	
A6044CHNFSS6	6.00 x 4.00 x 4.00	316L	50, 50E	16	16	A6P4	A6P4G	4.88 x 2.88	6.75 x 2.00	7.50 x 4.94	3.50	3.62	2.38	3.00	0.31	0.56	
	152 x 102 x 102							124 x 73	171 x 51	191 x 125	89	92	60	76	8	14	
A606CHNFSS6	6.00 x 6.00 x 4.00	316L	50, 50E	16	16	A6P6	A6P6G	4.88 x 4.88	6.75 x 4.00	7.50 x 6.94	3.50	3.62	2.38	5.00	0.31	0.56	
	152 x 152 x 102							124 x 124	171 x 102	191 x 176	89	92	60	127	8	14	
A8064CHNFSS6	8.00 x 6.00 x 4.00	316L	50, 50E	14	16	A8P6	A8P6G	6.75 x 4.88	8.75 x 4.00	9.50 x 6.94	3.50	3.62	1.38	5.00	0.25	0.62	
	203 x 152 x 102							171 x 124	222 x 102	241 x 176	89	92	35	127	6	16	
A1008CHNFSS6	10.00 x 8.00 x 4.00	316L	50, 50E	14	16	A10P8	A10P8G	8.75 x 6.88	10.75 x 6.00	11.50 x 8.94	3.50	3.62	1.38	7.00	0.25	0.62	
	254 x 203 x 102							222 x 175	273 x 152	292 x 227	89	92	35	178	6	16	
A12106CHNFSS6	12.00 x 10.00 x 6.00	316L	50, 50E	14	16	A12P10	A12P10G	10.75 x 8.88	12.75 x 8.00	13.50 x 10.94	5.50	5.62	2.38	9.00	0.25	0.62	
	305 x 254 x 152							273 x 225	324 x 203	343 x 278	140	143	60	229	6	16	
A1212CHNFSS6	12.00 x 12.00 x 6.00	316L	50, 50E	14	16	A12P12	A12P12G	10.75 x 10.88	12.75 x 10.00	13.50 x 12.94	5.50	5.62	2.38	11.00	0.25	0.62	
	305 x 305 x 152							273 x 276	324 x 254	343 x 329	140	143	60	279	6	16	
A1412CHNFSS6	14.00 x 12.00 x 6.00	316L	50, 50E	14	16	A14P12	A14P12G	12.75 x 10.88	14.75 x 10.00	15.50 x 12.94	5.50	5.62	2.38	11.00	0.25	0.62	
	356 x 305 x 152							324 x 276	375 x 254	394 x 329	140	143	60	279	6	16	
A1614CHNFSS6	16.00 x 14.00 x 6.00	316L	50, 50E	14	16	A16P14	A16P14G	14.75 x 12.88	16.75 x 12.00	17.50 x 14.94	5.50	5.62	2.38	13.00	0.25	0.62	
	406 x 356 x 152							375 x 327	425 x 305	445 x 379	140	143	60	330	6	16	

A6044CHNFSS and A6044CHNFSS6 UL 508A Listed. The remaining catalog numbers are UL 50 Listed.

Purchase panels separately. Optional stainless steel, composite and aluminum panels are available for most sizes.

**Hinge Cover**



NOTE:  
1. Optional panels are 14 gauge steel, conductive steel or stainless steel  
2. Panel screws are #10-32 pan head

**CLAMP BRACKET LOCATIONS**

