

**CONCEPT™ Wall-Mount Enclosures**
**CONCEPT™, Type 4X**

**Industry Standards**

Mounting brackets required to meet UL/CSA external mounting requirements.

UL 508A Listed; Type 3R, 4, 4X, 12; File No. E61997  
 cUL Listed per CSA C22.2 No 94; Type 3R, 4, 4X, 12; File No. E61997

NEMA/EEMAC Type 3R, 4, 4X, 12, 13  
 CSA File No. 42186: Type 4, 4X, 12  
 VDE IP66  
 IEC 60529, IP66  
 Meets NEMA Type 3RX requirements

**Application**

For indoor or outdoor applications that require corrosion protection from chemicals and water. CONCEPT™ Enclosures feature streamlined styling with an attractive stroked finish and flush quarter-turn latches for secure closure. Available in solid- and window-door models.

**Specifications**

- Manufactured from Type 304 or Type 316L stainless steel
- Minimum-width body flange provides maximum body opening
- External formed 90-degree body flange
- Panel mounting studs fit optional CONCEPT panels and other accessories
- Mounting holes in back of body for direct mounting or for optional external mounting brackets
- Type 316 stainless steel hidden hinges promote clean aesthetic appearance
- Corner formed doors are interchangeable and easily removed by pulling clip-style hinge pins
- Provision on door (except window-door style and when B = 12 in.) for thermoplastic data pocket
- Provision on door (except window-door style and when B = 12 in.) for optional doorstop kit
- Quarter-turn latches furnished with flush slotted insert
- Seamless foam-in-place gasket
- Self-grounding latch system with double seal
- Bonding provision on door; grounding stud on body
- Furnished hardware kit consists of panel-mounting nuts, panel-grounding hardware and sealing washers for wall-mounting holes
- Installation instructions
- Window doors have a clear polycarbonate window

**Finish**

Door and body have smooth #4 brushed finish.

**Accessories**

See also Accessories.  
 Type 316 Stainless Steel Door Stop Kit  
 CONCEPT™ Panels  
 H2OMIT™ Vent Drains, Type 4X  
 H2OMIT™ Thermoelectric Dehumidifier  
 Handles  
 Lock Inserts

**Modification and Customization**

Hoffman excels at modifying and customizing products to your specifications. Contact your local Hoffman sales office or distributor for complete information.

Bulletin: CWS

**Standard Product One-Door**

| Catalog Number | AxBxC in.            | AxBxC mm        | Door Gauge | Body Gauge | Panel  | Conductive Panel | Panel Size D x E (in.) | Panel Size D x E (mm) | Mounting G x H (in.) | Mounting G x H (mm) | Latches Qty. | Style        | J (in.) | J (mm) |
|----------------|----------------------|-----------------|------------|------------|--------|------------------|------------------------|-----------------------|----------------------|---------------------|--------------|--------------|---------|--------|
| CSD121265S     | 12.00 x 12.00 x 6.00 | 305 x 305 x 152 | 16         | 18         | CP1212 | CP1212G          | 10.20 x 10.20          | 259 x 259             | 10.50 x 10.50        | 267 x 267           | 1            | Quarter-turn | 6.00    | 152    |
| CSD121265S6    | 12.00 x 12.00 x 6.00 | 305 x 305 x 152 | 16         | 18         | CP1212 | CP1212G          | 10.20 x 10.20          | 259 x 259             | 10.50 x 10.50        | 267 x 267           | 1            | Quarter-turn | 6.00    | 152    |
| CSD161265S     | 16.00 x 12.00 x 6.00 | 406 x 305 x 152 | 16         | 18         | CP1612 | CP1612G          | 14.20 x 10.20          | 361 x 259             | 14.50 x 10.50        | 368 x 267           | 1            | Quarter-turn | 8.00    | 203    |
| CSD161265S6    | 16.00 x 12.00 x 6.00 | 406 x 305 x 152 | 16         | 18         | CP1612 | CP1612G          | 14.20 x 10.20          | 361 x 259             | 14.50 x 10.50        | 368 x 267           | 1            | Quarter-turn | 8.00    | 203    |
| CSD161665S     | 16.00 x 16.00 x 6.00 | 406 x 406 x 152 | 16         | 18         | CP1616 | CP1616G          | 14.20 x 14.20          | 361 x 361             | 14.50 x 14.50        | 368 x 368           | 1            | Quarter-turn | 8.00    | 203    |
| CSD161665S6    | 16.00 x 16.00 x 6.00 | 406 x 406 x 152 | 16         | 18         | CP1616 | CP1616G          | 14.20 x 14.20          | 361 x 361             | 14.50 x 14.50        | 368 x 368           | 1            | Quarter-turn | 8.00    | 203    |
| CSD201665S     | 20.00 x 16.00 x 6.00 | 508 x 406 x 152 | 16         | 18         | CP2016 | CP2016G          | 18.20 x 14.20          | 462 x 361             | 18.50 x 14.50        | 470 x 368           | 1            | Quarter-turn | 10.00   | 254    |
| CSD201665S6    | 20.00 x 16.00 x 6.00 | 508 x 406 x 152 | 16         | 18         | CP2016 | CP2016G          | 18.20 x 14.20          | 462 x 361             | 18.50 x 14.50        | 470 x 368           | 1            | Quarter-turn | 10.00   | 254    |
| CSD202065S     | 20.00 x 20.00 x 6.00 | 508 x 508 x 152 | 16         | 18         | CP2020 | CP2020G          | 18.20 x 18.20          | 462 x 462             | 18.50 x 18.50        | 470 x 470           | 1            | Quarter-turn | 10.00   | 254    |
| CSD202065S6    | 20.00 x 20.00 x 6.00 | 508 x 508 x 152 | 16         | 18         | CP2020 | CP2020G          | 18.20 x 18.20          | 462 x 462             | 18.50 x 18.50        | 470 x 470           | 1            | Quarter-turn | 10.00   | 254    |
| CSD161285S     | 16.00 x 12.00 x 8.00 | 406 x 305 x 203 | 16         | 18         | CP1612 | CP1612G          | 14.20 x 10.20          | 361 x 259             | 14.50 x 10.50        | 368 x 267           | 1            | Quarter-turn | 8.00    | 203    |
| CSD161285S6    | 16.00 x 12.00 x 8.00 | 406 x 305 x 203 | 16         | 18         | CP1612 | CP1612G          | 14.20 x 10.20          | 361 x 259             | 14.50 x 10.50        | 368 x 267           | 1            | Quarter-turn | 8.00    | 203    |
| CSD161685S     | 16.00 x 16.00 x 8.00 | 406 x 406 x 203 | 16         | 18         | CP1616 | CP1616G          | 14.20 x 14.20          | 361 x 361             | 14.50 x 14.50        | 368 x 368           | 1            | Quarter-turn | 8.00    | 203    |
| CSD161685S6    | 16.00 x 16.00 x 8.00 | 406 x 406 x 203 | 16         | 18         | CP1616 | CP1616G          | 14.20 x 14.20          | 361 x 361             | 14.50 x 14.50        | 368 x 368           | 1            | Quarter-turn | 8.00    | 203    |
| CSD162085S     | 16.00 x 20.00 x 8.00 | 406 x 508 x 203 | 16         | 18         | CP1620 | CP1620G          | 18.20 x 14.20          | 462 x 361             | 14.50 x 18.50        | 368 x 470           | 1            | Quarter-turn | 8.00    | 203    |
| CSD162085S6    | 16.00 x 20.00 x 8.00 | 406 x 508 x 203 | 16         | 18         | CP1620 | CP1620G          | 18.20 x 14.20          | 462 x 361             | 14.50 x 18.50        | 368 x 470           | 1            | Quarter-turn | 8.00    | 203    |
| CSD201685S     | 20.00 x 16.00 x 8.00 | 508 x 406 x 203 | 16         | 18         | CP2016 | CP2016G          | 18.20 x 14.20          | 462 x 361             | 18.50 x 14.50        | 470 x 368           | 1            | Quarter-turn | 10.00   | 254    |
| CSD201685S6    | 20.00 x 16.00 x 8.00 | 508 x 406 x 203 | 16         | 18         | CP2016 | CP2016G          | 18.20 x 14.20          | 462 x 361             | 18.50 x 14.50        | 470 x 368           | 1            | Quarter-turn | 10.00   | 254    |
| CSD202085S     | 20.00 x 20.00 x 8.00 | 508 x 508 x 203 | 16         | 18         | CP2020 | CP2020G          | 18.20 x 18.20          | 462 x 462             | 18.50 x 18.50        | 470 x 470           | 1            | Quarter-turn | 10.00   | 254    |
| CSD202085S6    | 20.00 x 20.00 x 8.00 | 508 x 508 x 203 | 16         | 18         | CP2020 | CP2020G          | 18.20 x 18.20          | 462 x 462             | 18.50 x 18.50        | 470 x 470           | 1            | Quarter-turn | 10.00   | 254    |
| CSD241685S     | 24.00 x 16.00 x 8.00 | 610 x 406 x 203 | 16         | 18         | CP2416 | CP2416G          | 22.20 x 14.20          | 564 x 361             | 22.50 x 14.50        | 572 x 368           | 1            | Quarter-turn | 12.00   | 305    |
| CSD241685S6    | 24.00 x 16.00 x 8.00 | 610 x 406 x 203 | 16         | 18         | CP2416 | CP2416G          | 22.20 x 14.20          | 564 x 361             | 22.50 x 14.50        | 572 x 368           | 1            | Quarter-turn | 12.00   | 305    |
| CSD242085S     | 24.00 x 20.00 x 8.00 | 610 x 508 x 203 | 16         | 18         | CP2420 | CP2420G          | 22.20 x 18.20          | 564 x 462             | 22.50 x 18.50        | 572 x 470           | 1            | Quarter-turn | 12.00   | 305    |
| CSD242085S6    | 24.00 x 20.00 x 8.00 | 610 x 508 x 203 | 16         | 18         | CP2420 | CP2420G          | 22.20 x 18.20          | 564 x 462             | 22.50 x 18.50        | 572 x 470           | 1            | Quarter-turn | 12.00   | 305    |
| CSD242485S     | 24.00 x 24.00 x 8.00 | 610 x 610 x 203 | 14         | 16         | CP2424 | CP2424           | 22.20 x 22.20          | 564 x 564             | 22.50 x 22.50        | 572 x 572           | 2            | Quarter-turn | 5.00    | 127    |



CONCEPT™ Wall-Mount Enclosures

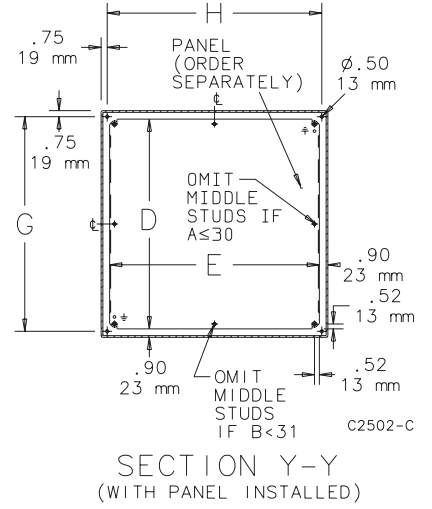
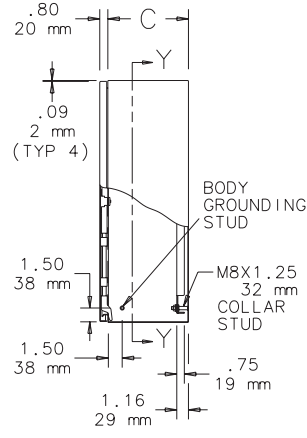
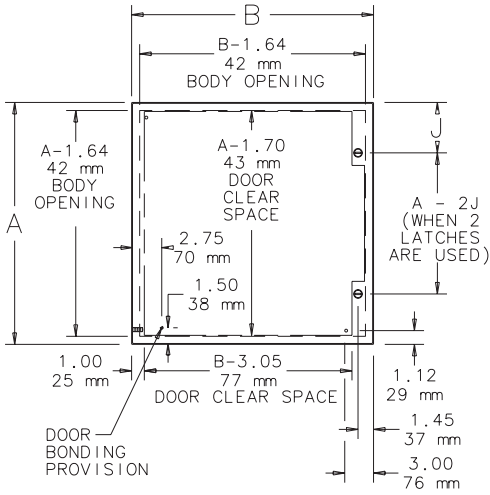
Table with columns: Catalog Number, AxBxC in., AxBxC mm, Door Gauge, Body Gauge, Panel, Conductive Panel, Panel Size D x E (in.), Panel Size D x E (mm), Mounting G x H (in.), Mounting G x H (mm), Latches Qty., Style, J (in.), J (mm). Rows include various model numbers like CSD242485S6, CSD243085S6, etc.

Catalog numbers ending in 6 are Type 316L stainless steel.

Purchase panels separately. Optional stainless steel, composite and aluminum panels are also available for most sizes.

Optional NEMA style steel and stainless steel panels require conversion kit catalog number CCPM4.

CONCEPT™ Wall-Mount Enclosures



CONCEPT™ Wall-Mount Enclosures

Standard Product **One-Door with Window**

| Catalog Number | AxBxC in.             | AxBxC mm        | Door Ga. | Body Ga. | Panel  | Panel Size D x E (in.) | Panel Size D x E (mm) | Mounting G x H (in.) | Mounting G x H (mm) | Window Size M x N (in.) | Window Size M x N (mm) | Latch Qty. | Latch Style  | J (in.) | J (mm) |
|----------------|-----------------------|-----------------|----------|----------|--------|------------------------|-----------------------|----------------------|---------------------|-------------------------|------------------------|------------|--------------|---------|--------|
| CSD12126WSS    | 12.00 x 12.00 x 6.00  | 305 x 305 x 152 | 16       | 18       | CP1212 | 10.20 x 10.20          | 259 x 259             | 10.50 x 10.50        | 267 x 267           | 8.74 x 7.10             | 222 x 180              | 1          | Quarter-turn | 6.00    | 152    |
| CSD16126WSS    | 16.00 x 12.00 x 6.00  | 406 x 305 x 152 | 16       | 18       | CP1612 | 14.20 x 10.20          | 361 x 259             | 14.50 x 10.50        | 368 x 267           | 12.74 x 7.10            | 324 x 180              | 1          | Quarter-turn | 8.00    | 203    |
| CSD20166WSS    | 20.00 x 16.00 x 6.00  | 508 x 406 x 152 | 16       | 18       | CP2016 | 18.20 x 14.20          | 462 x 361             | 18.50 x 14.50        | 470 x 368           | 16.74 x 11.10           | 425 x 282              | 1          | Quarter-turn | 10.00   | 254    |
| CSD20206WSS    | 20.00 x 20.00 x 6.00  | 508 x 508 x 152 | 16       | 18       | CP2020 | 18.20 x 18.20          | 462 x 462             | 18.50 x 18.50        | 470 x 470           | 16.74 x 15.10           | 425 x 384              | 1          | Quarter-turn | 10.00   | 254    |
| CSD20168WSS    | 20.00 x 16.00 x 8.00  | 508 x 406 x 203 | 16       | 18       | CP2016 | 18.20 x 14.20          | 462 x 361             | 18.50 x 14.50        | 470 x 368           | 16.74 x 11.10           | 425 x 282              | 1          | Quarter-turn | 10.00   | 254    |
| CSD20208WSS    | 20.00 x 20.00 x 8.00  | 508 x 508 x 203 | 16       | 18       | CP2020 | 18.20 x 18.20          | 462 x 462             | 18.50 x 18.50        | 470 x 470           | 16.74 x 15.10           | 425 x 384              | 1          | Quarter-turn | 10.00   | 254    |
| CSD24208WSS    | 24.00 x 20.00 x 8.00  | 610 x 508 x 203 | 16       | 18       | CP2420 | 22.20 x 18.20          | 564 x 462             | 22.50 x 18.50        | 572 x 470           | 20.74 x 15.10           | 527 x 384              | 1          | Quarter-turn | 12.00   | 305    |
| CSD24248WSS    | 24.00 x 24.00 x 8.00  | 610 x 610 x 203 | 14       | 16       | CP2424 | 22.20 x 22.20          | 564 x 564             | 22.50 x 22.50        | 572 x 572           | 20.74 x 17.68           | 527 x 449              | 2          | Quarter-turn | 5.00    | 127    |
| CSD30248WSS    | 30.00 x 24.00 x 8.00  | 762 x 610 x 203 | 14       | 16       | CP3024 | 28.20 x 22.20          | 716 x 564             | 28.50 x 22.50        | 724 x 572           | 26.74 x 17.68           | 679 x 449              | 2          | Quarter-turn | 5.00    | 127    |
| CSD161210WSS   | 16.00 x 12.00 x 10.00 | 406 x 305 x 254 | 16       | 18       | CP1612 | 14.20 x 10.20          | 361 x 259             | 14.50 x 10.50        | 368 x 267           | 12.74 x 7.10            | 324 x 180              | 1          | Quarter-turn | 8.00    | 203    |
| CSD201610WSS   | 20.00 x 16.00 x 10.00 | 508 x 406 x 254 | 16       | 18       | CP2016 | 18.20 x 14.20          | 462 x 361             | 18.50 x 14.50        | 470 x 368           | 16.74 x 11.10           | 425 x 282              | 1          | Quarter-turn | 10.00   | 254    |
| CSD202010WSS   | 20.00 x 20.00 x 10.00 | 508 x 508 x 254 | 16       | 18       | CP2020 | 18.20 x 18.20          | 462 x 462             | 18.50 x 18.50        | 470 x 470           | 16.74 x 15.10           | 425 x 384              | 1          | Quarter-turn | 10.00   | 254    |
| CSD242010WSS   | 24.00 x 20.00 x 10.00 | 610 x 508 x 254 | 16       | 18       | CP2420 | 22.20 x 18.20          | 564 x 462             | 22.50 x 18.50        | 572 x 470           | 20.74 x 15.10           | 527 x 384              | 1          | Quarter-turn | 12.00   | 305    |
| CSD242410WSS   | 24.00 x 24.00 x 10.00 | 610 x 610 x 254 | 14       | 16       | CP2424 | 22.20 x 22.20          | 564 x 564             | 22.50 x 22.50        | 572 x 572           | 20.74 x 17.68           | 527 x 449              | 2          | Quarter-turn | 5.00    | 127    |
| CSD302410WSS   | 30.00 x 24.00 x 10.00 | 762 x 610 x 254 | 14       | 16       | CP3024 | 28.20 x 22.20          | 716 x 564             | 28.50 x 22.50        | 724 x 572           | 26.74 x 17.68           | 679 x 449              | 2          | Quarter-turn | 5.00    | 127    |
| CSD202012WSS   | 20.00 x 20.00 x 12.00 | 508 x 508 x 305 | 14       | 16       | CP2020 | 18.20 x 18.20          | 462 x 462             | 18.50 x 18.50        | 470 x 470           | 16.74 x 15.10           | 425 x 384              | 1          | Quarter-turn | 10.00   | 254    |
| CSD302412WSS   | 30.00 x 24.00 x 12.00 | 762 x 610 x 305 | 14       | 16       | CP3024 | 28.20 x 22.20          | 716 x 564             | 28.50 x 22.50        | 724 x 572           | 26.74 x 17.68           | 679 x 449              | 2          | Quarter-turn | 5.00    | 127    |

Purchase panels separately.

Optional NEMA style steel and stainless steel panels require conversion kit catalog number CCPM4.

Material is stainless steel Type 304.

For Conductive Panels, add a "G" to the panel catalog number.

CONCEPT Single-Door Wall-Mounted Enclosures with Windows

