

Screw-Cover Type 1 Pull Boxes and Accessories

Screw-Cover, Type 1



Industry Standards

UL 50, 50E Listed; Type 1; File No. E27525
cUL Listed per CSA C22.2 No 40; Type 1; File No. E27525

NEMA/EEMAC Type 1
IEC 60529, IP30

Application

Use this enclosure in commercial and general industrial applications that require a junction or pull box. For flush installations, order flush covers and door frames separately.

Features

- Unique keyhole screw slots in the cover
- Available with or without knockouts. Various sizes of easy-to-remove concentric knockouts on all four sides of standard boxes with knockouts.
- Optional flush-mounted door frame available
- Optional flush covers
- Flat, removable covers fastened with plated steel screws
- Provision for grounding
- Mounting holes on back of box

Specifications

- 16, 14 or 12 gauge steel or plated steel

Finish

ANSI 61 gray polyester powder paint finish inside and out. Unless otherwise specified, all custom pull boxes are finished with ANSI 61 gray polyester powder paint.

Accessories

See also *Accessories*.

- Flush Covers
- Flush-Mount Door Frames
- Grounding Device
- Type 1 Locking Window Pull Box Accessory
- Touch-Up Paint

Bulletin: A90P1

Standard Product Screw-Cover Type 1 Pull Boxes with Knockouts

| Catalog Number | AxBxC in. | AxBxC mm | Style | Number of Cover Screws | Knockout Pattern Along "A" Sides | Knockout Pattern Along "B" Sides |
|----------------|----------------------|-----------------|------------|------------------------|----------------------------------|----------------------------------|
| ASE4X4X3 | 4.00 x 4.00 x 3.00 | 102 x 102 x 76 | Painted | 2 | B-C | B-C |
| ASG4X4X3 | 4.00 x 4.00 x 3.00 | 102 x 102 x 76 | Galvanized | 2 | B-C | B-C |
| ASE6X6X3 | 6.00 x 6.00 x 3.00 | 152 x 152 x 76 | Painted | 2 | B-C-D | B-C-D |
| ASG6X6X3 | 6.00 x 6.00 x 3.00 | 152 x 152 x 76 | Galvanized | 2 | B-C-D | B-C-D |
| ASE8X6X3 | 8.00 x 6.00 x 3.00 | 203 x 152 x 76 | Painted | 2 | F-G-H-I | B-C-D |
| ASG8X6X3 | 8.00 x 6.00 x 3.00 | 203 x 152 x 76 | Galvanized | 2 | F-G-H-I | B-C-D |
| ASE16X14X3 | 16.00 x 14.00 x 3.00 | 406 x 356 x 76 | Painted | 4 | B-C-D-E-F-G-H | B-C-D-E-F-G-H |
| ASE18X14X3 | 18.00 x 14.00 x 3.00 | 457 x 356 x 76 | Painted | 4 | A-B-C-D-E-F-G-H-I | B-C-D-E-F-G-H |
| ASE4X4X4 | 4.00 x 4.00 x 4.00 | 102 x 102 x 102 | Painted | 2 | B-C | B-C |
| ASG4X4X4 | 4.00 x 4.00 x 4.00 | 102 x 102 x 102 | Galvanized | 2 | B-C | B-C |
| ASE6X4X4 | 6.00 x 4.00 x 4.00 | 152 x 102 x 102 | Painted | 2 | B-C-D | B-C |
| ASG6X4X4 | 6.00 x 4.00 x 4.00 | 152 x 102 x 102 | Galvanized | 2 | B-C-D | B-C |
| ASE6X6X4 | 6.00 x 6.00 x 4.00 | 152 x 152 x 102 | Painted | 2 | B-C-D | B-C-D |
| ASG6X6X4 | 6.00 x 6.00 x 4.00 | 152 x 152 x 102 | Galvanized | 2 | B-C-D | B-C-D |
| ASE8X6X4 | 8.00 x 6.00 x 4.00 | 203 x 152 x 102 | Painted | 2 | F-G-H-I | B-C-D |
| ASG8X6X4 | 8.00 x 6.00 x 4.00 | 203 x 152 x 102 | Galvanized | 2 | F-G-H-I | B-C-D |
| ASE8X8X4 | 8.00 x 8.00 x 4.00 | 203 x 203 x 102 | Painted | 4 | F-G-H-I | F-G-H-I |
| ASG8X8X4 | 8.00 x 8.00 x 4.00 | 203 x 203 x 102 | Galvanized | 4 | F-G-H-I | F-G-H-I |
| ASE10X8X4 | 10.00 x 8.00 x 4.00 | 254 x 203 x 102 | Painted | 4 | F-G-H-I | F-G-H-I |
| ASG10X8X4 | 10.00 x 8.00 x 4.00 | 254 x 203 x 102 | Galvanized | 4 | F-G-H-I | F-G-H-I |
| ASE10X10X4 | 10.00 x 10.00 x 4.00 | 254 x 254 x 102 | Painted | 4 | F-G-H-I | C-D-E-F-G |
| ASG10X10X4 | 10.00 x 10.00 x 4.00 | 254 x 254 x 102 | Galvanized | 4 | F-G-H-I | C-D-E-F-G |
| ASE12X8X4 | 12.00 x 8.00 x 4.00 | 305 x 203 x 102 | Painted | 4 | C-D-E-F-G | F-G-H-I |
| ASG12X8X4 | 12.00 x 8.00 x 4.00 | 305 x 203 x 102 | Galvanized | 4 | C-D-E-F-G | F-G-H-I |
| ASE12X10X4 | 12.00 x 10.00 x 4.00 | 305 x 254 x 102 | Painted | 4 | C-D-E-F-G | C-D-E-F-G |
| ASG12X10X4 | 12.00 x 10.00 x 4.00 | 305 x 254 x 102 | Galvanized | 4 | C-D-E-F-G | C-D-E-F-G |
| ASE12X12X4 | 12.00 x 12.00 x 4.00 | 305 x 305 x 102 | Painted | 4 | C-D-E-F-G | C-D-E-F-G |
| ASG12X12X4 | 12.00 x 12.00 x 4.00 | 305 x 305 x 102 | Galvanized | 4 | C-D-E-F-G | C-D-E-F-G |
| ASE16X12X4 | 16.00 x 12.00 x 4.00 | 406 x 305 x 102 | Painted | 4 | B-C-D-E-F-G-H | C-D-E-F-G |
| ASG16X12X4 | 16.00 x 12.00 x 4.00 | 406 x 305 x 102 | Galvanized | 4 | B-C-D-E-F-G-H | C-D-E-F-G |
| ASE18X12X4 | 18.00 x 12.00 x 4.00 | 457 x 305 x 102 | Painted | 4 | A-B-C-D-E-F-G-H-I | C-D-E-F-G |
| ASG18X12X4 | 18.00 x 12.00 x 4.00 | 457 x 305 x 102 | Galvanized | 4 | A-B-C-D-E-F-G-H-I | C-D-E-F-G |
| ASE18X18X4 | 18.00 x 18.00 x 4.00 | 457 x 457 x 102 | Painted | 4 | A-B-C-D-E-F-G-H-I | A-B-C-D-E-F-G-H-I |
| ASG18X18X4 | 18.00 x 18.00 x 4.00 | 457 x 457 x 102 | Galvanized | 4 | A-B-C-D-E-F-G-H-I | A-B-C-D-E-F-G-H-I |
| ASE24X12X4 | 24.00 x 12.00 x 4.00 | 610 x 305 x 102 | Painted | 4 | A-B-C-D-E-F-G-H-I | C-D-E-F-G |
| ASG24X12X4 | 24.00 x 12.00 x 4.00 | 610 x 305 x 102 | Galvanized | 4 | A-B-C-D-E-F-G-H-I | C-D-E-F-G |
| ASE24X24X4 | 24.00 x 24.00 x 4.00 | 610 x 610 x 102 | Painted | 4 | A-B-C-D-E-F-G-H-I | A-B-C-D-E-F-G-H-I |
| ASG24X24X4 | 24.00 x 24.00 x 4.00 | 610 x 610 x 102 | Galvanized | 4 | A-B-C-D-E-F-G-H-I | A-B-C-D-E-F-G-H-I |
| ASE30X24X4 | 30.00 x 24.00 x 4.00 | 762 x 610 x 102 | Painted | 6 | A-B-C-D-E-F-G-H-I | A-B-C-D-E-F-G-H-I |
| ASE6X6X6 | 6.00 x 6.00 x 6.00 | 152 x 152 x 152 | Painted | 2 | B-C-D | B-C-D |

Screw-Cover Type 1 Pull Boxes and Accessories

| Catalog Number | AxBxCin. | AxBxCmm | Style | Number of Cover Screws | Knockout Pattern Along "A" Sides | Knockout Pattern Along "B" Sides |
|----------------|-----------------------|-----------------|------------|------------------------|----------------------------------|----------------------------------|
| ASG6X6X6 | 6.00 x 6.00 x 6.00 | 152 x 152 x 152 | Galvanized | 2 | B-C-D | B-C-D |
| ASE8X6X6 | 8.00 x 6.00 x 6.00 | 203 x 152 x 152 | Painted | 4 | F-G-H-I | B-C-D |
| ASE8X8X6 | 8.00 x 8.00 x 6.00 | 203 x 203 x 152 | Painted | 4 | F-G-H-I | F-G-H-I |
| ASG8X8X6 | 8.00 x 8.00 x 6.00 | 203 x 203 x 152 | Galvanized | 4 | F-G-H-I | F-G-H-I |
| ASE10X8X6 | 10.00 x 8.00 x 6.00 | 254 x 203 x 152 | Painted | 4 | F-G-H-I | F-G-H-I |
| ASG10X8X6 | 10.00 x 8.00 x 6.00 | 254 x 203 x 152 | Galvanized | 4 | F-G-H-I | F-G-H-I |
| ASE10X10X6 | 10.00 x 10.00 x 6.00 | 254 x 254 x 152 | Painted | 4 | F-G-H-I | C-D-E-F-G |
| ASG10X10X6 | 10.00 x 10.00 x 6.00 | 254 x 254 x 152 | Galvanized | 4 | F-G-H-I | C-D-E-F-G |
| ASE12X10X6 | 12.00 x 10.00 x 6.00 | 305 x 254 x 152 | Painted | 4 | C-D-E-F-G | C-D-E-F-G |
| ASG12X10X6 | 12.00 x 10.00 x 6.00 | 305 x 254 x 152 | Galvanized | 4 | C-D-E-F-G | C-D-E-F-G |
| ASE12X12X6 | 12.00 x 12.00 x 6.00 | 305 x 305 x 152 | Painted | 4 | C-D-E-F-G | C-D-E-F-G |
| ASG12X12X6 | 12.00 x 12.00 x 6.00 | 305 x 305 x 152 | Galvanized | 4 | C-D-E-F-G | C-D-E-F-G |
| ASE16X12X6 | 16.00 x 12.00 x 6.00 | 406 x 305 x 152 | Painted | 4 | B-C-D-E-F-G-H | C-D-E-F-G |
| ASG16X12X6 | 16.00 x 12.00 x 6.00 | 406 x 305 x 152 | Galvanized | 4 | B-C-D-E-F-G-H | C-D-E-F-G |
| ASE16X16X6 | 16.00 x 16.00 x 6.00 | 406 x 406 x 152 | Painted | 4 | B-C-D-E-F-G-H | B-C-D-E-F-G-H |
| ASG16X16X6 | 16.00 x 16.00 x 6.00 | 406 x 406 x 152 | Galvanized | 4 | B-C-D-E-F-G-H | B-C-D-E-F-G-H |
| ASE18X12X6 | 18.00 x 12.00 x 6.00 | 457 x 305 x 152 | Painted | 4 | A-B-C-D-E-F-G-H-I | C-D-E-F-G |
| ASG18X12X6 | 18.00 x 12.00 x 6.00 | 457 x 305 x 152 | Galvanized | 4 | A-B-C-D-E-F-G-H-I | C-D-E-F-G |
| ASE18X18X6 | 18.00 x 18.00 x 6.00 | 457 x 457 x 152 | Painted | 4 | A-B-C-D-E-F-G-H-I | A-B-C-D-E-F-G-H-I |
| ASG18X18X6 | 18.00 x 18.00 x 6.00 | 457 x 457 x 152 | Galvanized | 4 | A-B-C-D-E-F-G-H-I | A-B-C-D-E-F-G-H-I |
| ASE24X18X6 | 24.00 x 18.00 x 6.00 | 610 x 457 x 152 | Painted | 4 | A-B-C-D-E-F-G-H-I | A-B-C-D-E-F-G-H-I |
| ASG24X18X6 | 24.00 x 18.00 x 6.00 | 610 x 457 x 152 | Galvanized | 4 | A-B-C-D-E-F-G-H-I | A-B-C-D-E-F-G-H-I |
| ASE24X24X6 | 24.00 x 24.00 x 6.00 | 610 x 610 x 152 | Painted | 4 | A-B-C-D-E-F-G-H-I | A-B-C-D-E-F-G-H-I |
| ASG24X24X6 | 24.00 x 24.00 x 6.00 | 610 x 610 x 152 | Galvanized | 4 | A-B-C-D-E-F-G-H-I | A-B-C-D-E-F-G-H-I |
| ASE30X24X6 | 30.00 x 24.00 x 6.00 | 762 x 610 x 152 | Painted | 6 | A-B-C-D-E-F-G-H-I | A-B-C-D-E-F-G-H-I |
| ASG30X24X6 | 30.00 x 24.00 x 6.00 | 762 x 610 x 152 | Galvanized | 6 | A-B-C-D-E-F-G-H-I | A-B-C-D-E-F-G-H-I |
| ASE36X24X6 | 36.00 x 24.00 x 6.00 | 914 x 610 x 152 | Painted | 6 | A-B-C-D-E-F-G-H-I | A-B-C-D-E-F-G-H-I |
| ASE8X8X8 | 8.00 x 8.00 x 8.00 | 203 x 203 x 203 | Painted | 4 | F-G-H-I | F-G-H-I |
| ASE12X12X8 | 12.00 x 12.00 x 8.00 | 305 x 305 x 203 | Painted | 4 | C-D-E-F-G | C-D-E-F-G |
| ASG12X12X8 | 12.00 x 12.00 x 8.00 | 305 x 305 x 203 | Galvanized | 4 | C-D-E-F-G | C-D-E-F-G |
| ASE16X12X8 | 16.00 x 12.00 x 8.00 | 406 x 305 x 203 | Painted | 4 | B-C-D-E-F-G-H | C-D-E-F-G |
| ASG16X12X8 | 16.00 x 12.00 x 8.00 | 406 x 305 x 203 | Galvanized | 4 | B-C-D-E-F-G-H | C-D-E-F-G |
| ASE24X12X8 | 24.00 x 12.00 x 8.00 | 610 x 305 x 203 | Painted | 4 | A-B-C-D-E-F-G-H-I | C-D-E-F-G |
| ASG24X12X8 | 24.00 x 12.00 x 8.00 | 610 x 305 x 203 | Galvanized | 4 | A-B-C-D-E-F-G-H-I | C-D-E-F-G |
| ASE24X18X8 | 24.00 x 18.00 x 8.00 | 610 x 457 x 203 | Painted | 4 | A-B-C-D-E-F-G-H-I | A-B-C-D-E-F-G-H-I |
| ASG24X18X8 | 24.00 x 18.00 x 8.00 | 610 x 457 x 203 | Galvanized | 4 | A-B-C-D-E-F-G-H-I | A-B-C-D-E-F-G-H-I |
| ASE24X24X8 | 24.00 x 24.00 x 8.00 | 610 x 610 x 203 | Painted | 6 | A-B-C-D-E-F-G-H-I | A-B-C-D-E-F-G-H-I |
| ASG24X24X8 | 24.00 x 24.00 x 8.00 | 610 x 610 x 203 | Galvanized | 6 | A-B-C-D-E-F-G-H-I | A-B-C-D-E-F-G-H-I |
| ASE18X12X10 | 18.00 x 12.00 x 10.00 | 457 x 305 x 254 | Painted | 4 | A-B-C-D-E-F-G-H-I | C-D-E-F-G |
| ASG18X12X10 | 18.00 x 12.00 x 10.00 | 457 x 305 x 254 | Galvanized | 4 | A-B-C-D-E-F-G-H-I | C-D-E-F-G |
| ASE18X18X10 | 18.00 x 18.00 x 10.00 | 457 x 457 x 254 | Painted | 4 | A-B-C-D-E-F-G-H-I | A-B-C-D-E-F-G-H-I |
| ASG18X18X10 | 18.00 x 18.00 x 10.00 | 457 x 457 x 254 | Galvanized | 4 | A-B-C-D-E-F-G-H-I | A-B-C-D-E-F-G-H-I |
| ASE24X18X10 | 24.00 x 18.00 x 10.00 | 610 x 457 x 254 | Painted | 4 | A-B-C-D-E-F-G-H-I | A-B-C-D-E-F-G-H-I |
| ASG24X18X10 | 24.00 x 18.00 x 10.00 | 610 x 457 x 254 | Galvanized | 4 | A-B-C-D-E-F-G-H-I | A-B-C-D-E-F-G-H-I |
| ASE24X24X10 | 24.00 x 24.00 x 10.00 | 610 x 610 x 254 | Painted | 4 | A-B-C-D-E-F-G-H-I | A-B-C-D-E-F-G-H-I |
| ASG24X24X10 | 24.00 x 24.00 x 10.00 | 610 x 610 x 254 | Galvanized | 4 | A-B-C-D-E-F-G-H-I | A-B-C-D-E-F-G-H-I |
| ASE36X24X10 | 36.00 x 24.00 x 10.00 | 914 x 610 x 254 | Painted | 6 | A-B-C-D-E-F-G-H-I | A-B-C-D-E-F-G-H-I |
| ASG36X24X10 | 36.00 x 24.00 x 10.00 | 914 x 610 x 254 | Galvanized | 6 | A-B-C-D-E-F-G-H-I | A-B-C-D-E-F-G-H-I |
| ASE24X12X12 | 24.00 x 12.00 x 12.00 | 610 x 305 x 305 | Painted | 4 | A-B-C-D-E-F-G-H-I | C-D-E-F-G |
| ASG24X12X12 | 24.00 x 12.00 x 12.00 | 610 x 305 x 305 | Galvanized | 4 | A-B-C-D-E-F-G-H-I | C-D-E-F-G |
| ASE18X18X12 | 18.00 x 18.00 x 12.00 | 457 x 457 x 305 | Painted | 4 | A-B-C-D-E-F-G-H-I | A-B-C-D-E-F-G-H-I |
| ASG18X18X12 | 18.00 x 18.00 x 12.00 | 457 x 457 x 305 | Galvanized | 4 | A-B-C-D-E-F-G-H-I | A-B-C-D-E-F-G-H-I |
| ASE24X18X12 | 24.00 x 18.00 x 12.00 | 610 x 457 x 305 | Painted | 4 | A-B-C-D-E-F-G-H-I | A-B-C-D-E-F-G-H-I |
| ASG24X18X12 | 24.00 x 18.00 x 12.00 | 610 x 457 x 305 | Galvanized | 4 | A-B-C-D-E-F-G-H-I | A-B-C-D-E-F-G-H-I |
| ASE30X24X12 | 30.00 x 24.00 x 12.00 | 762 x 610 x 305 | Painted | 6 | A-B-C-D-E-F-G-H-I | A-B-C-D-E-F-G-H-I |
| ASG30X24X12 | 30.00 x 24.00 x 12.00 | 762 x 610 x 305 | Galvanized | 6 | A-B-C-D-E-F-G-H-I | A-B-C-D-E-F-G-H-I |
| ASE36X24X12 | 36.00 x 24.00 x 12.00 | 914 x 610 x 305 | Painted | 6 | A-B-C-D-E-F-G-H-I | A-B-C-D-E-F-G-H-I |
| ASG36X24X12 | 36.00 x 24.00 x 12.00 | 914 x 610 x 305 | Galvanized | 6 | A-B-C-D-E-F-G-H-I | A-B-C-D-E-F-G-H-I |

Standard Product Screw-Cover Type 1 Pull Boxes without Knockouts

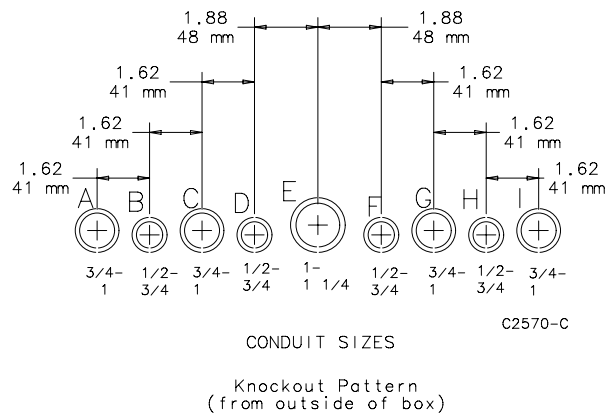
| Catalog Number | AxBxCin. | AxBxCmm | Style | Number of Cover Screws |
|----------------|----------------------|-----------------|------------|------------------------|
| ASE4X4X3NK | 4.00 x 4.00 x 3.00 | 102 x 102 x 76 | Painted | 2 |
| ASG4X4X3NK | 4.00 x 4.00 x 3.00 | 102 x 102 x 76 | Galvanized | 2 |
| ASE6X6X3NK | 6.00 x 6.00 x 3.00 | 152 x 152 x 76 | Painted | 2 |
| ASG6X6X3NK | 6.00 x 6.00 x 3.00 | 152 x 152 x 76 | Galvanized | 2 |
| ASE8X6X3NK | 8.00 x 6.00 x 3.00 | 203 x 152 x 76 | Painted | 2 |
| ASG8X6X3NK | 8.00 x 6.00 x 3.00 | 203 x 152 x 76 | Galvanized | 2 |
| ASE16X14X3NK | 16.00 x 14.00 x 3.00 | 406 x 356 x 76 | Painted | 4 |
| ASG16X14X3NK | 16.00 x 14.00 x 3.00 | 406 x 356 x 76 | Galvanized | 4 |
| ASE20X14X3NK | 20.00 x 14.00 x 3.00 | 508 x 356 x 76 | Painted | 4 |
| ASG20X14X3NK | 20.00 x 14.00 x 3.00 | 508 x 356 x 76 | Galvanized | 4 |
| ASE4X4X4NK | 4.00 x 4.00 x 4.00 | 102 x 102 x 102 | Painted | 2 |
| ASG4X4X4NK | 4.00 x 4.00 x 4.00 | 102 x 102 x 102 | Galvanized | 2 |
| ASE6X4X4NK | 6.00 x 4.00 x 4.00 | 152 x 102 x 102 | Painted | 2 |
| ASG6X4X4NK | 6.00 x 4.00 x 4.00 | 152 x 102 x 102 | Galvanized | 2 |
| ASE6X6X4NK | 6.00 x 6.00 x 4.00 | 152 x 152 x 102 | Painted | 2 |
| ASG6X6X4NK | 6.00 x 6.00 x 4.00 | 152 x 152 x 102 | Galvanized | 2 |
| ASE8X6X4NK | 8.00 x 6.00 x 4.00 | 203 x 152 x 102 | Painted | 2 |
| ASG8X6X4NK | 8.00 x 6.00 x 4.00 | 203 x 152 x 102 | Galvanized | 2 |
| ASE8X8X4NK | 8.00 x 8.00 x 4.00 | 203 x 203 x 102 | Painted | 4 |
| ASG8X8X4NK | 8.00 x 8.00 x 4.00 | 203 x 203 x 102 | Galvanized | 4 |
| ASE10X6X4NK | 10.00 x 6.00 x 4.00 | 254 x 152 x 102 | Painted | 4 |
| ASG10X6X4NK | 10.00 x 6.00 x 4.00 | 254 x 152 x 102 | Galvanized | 4 |
| ASE10X8X4NK | 10.00 x 8.00 x 4.00 | 254 x 203 x 102 | Painted | 4 |
| ASG10X8X4NK | 10.00 x 8.00 x 4.00 | 254 x 203 x 102 | Galvanized | 4 |
| ASE10X10X4NK | 10.00 x 10.00 x 4.00 | 254 x 254 x 102 | Painted | 4 |
| ASG10X10X4NK | 10.00 x 10.00 x 4.00 | 254 x 254 x 102 | Galvanized | 4 |
| ASE12X6X4NK | 12.00 x 6.00 x 4.00 | 305 x 152 x 102 | Painted | 4 |
| ASG12X6X4NK | 12.00 x 6.00 x 4.00 | 305 x 152 x 102 | Galvanized | 4 |
| ASE12X8X4NK | 12.00 x 8.00 x 4.00 | 305 x 203 x 102 | Painted | 4 |
| ASG12X8X4NK | 12.00 x 8.00 x 4.00 | 305 x 203 x 102 | Galvanized | 4 |

Screw-Cover Type 1 Pull Boxes and Accessories

| Catalog Number | AxBxCin. | AxBxC mm | Style | Number of Cover Screws |
|----------------|----------------------|-----------------|------------|------------------------|
| ASG12X8X4NK | 12.00 x 8.00 x 4.00 | 305 x 203 x 102 | Galvanized | 4 |
| ASE12X10X4NK | 12.00 x 10.00 x 4.00 | 305 x 254 x 102 | Painted | 4 |
| ASG12X10X4NK | 12.00 x 10.00 x 4.00 | 305 x 254 x 102 | Galvanized | 4 |
| ASE12X12X4NK | 12.00 x 12.00 x 4.00 | 305 x 305 x 102 | Painted | 4 |
| ASG12X12X4NK | 12.00 x 12.00 x 4.00 | 305 x 305 x 102 | Galvanized | 4 |
| ASE15X15X4NK | 15.00 x 15.00 x 4.00 | 381 x 381 x 102 | Painted | 4 |
| ASG15X15X4NK | 15.00 x 15.00 x 4.00 | 381 x 381 x 102 | Galvanized | 4 |
| ASE16X12X4NK | 16.00 x 12.00 x 4.00 | 406 x 305 x 102 | Painted | 4 |
| ASG16X12X4NK | 16.00 x 12.00 x 4.00 | 406 x 305 x 102 | Galvanized | 4 |
| ASE18X12X4NK | 18.00 x 12.00 x 4.00 | 457 x 305 x 102 | Painted | 4 |
| ASG18X12X4NK | 18.00 x 12.00 x 4.00 | 457 x 305 x 102 | Galvanized | 4 |
| ASE18X15X4NK | 18.00 x 15.00 x 4.00 | 457 x 381 x 102 | Painted | 4 |
| ASG18X18X4NK | 18.00 x 18.00 x 4.00 | 457 x 457 x 102 | Painted | 4 |
| ASG18X18X4NK | 18.00 x 18.00 x 4.00 | 457 x 457 x 102 | Galvanized | 4 |
| ASE24X12X4NK | 24.00 x 12.00 x 4.00 | 610 x 305 x 102 | Painted | 4 |
| ASE24X18X4NK | 24.00 x 18.00 x 4.00 | 610 x 457 x 102 | Painted | 4 |
| ASG24X18X4NK | 24.00 x 18.00 x 4.00 | 610 x 457 x 102 | Galvanized | 4 |
| ASE24X24X4NK | 24.00 x 24.00 x 4.00 | 610 x 610 x 102 | Painted | 4 |
| ASG24X24X4NK | 24.00 x 24.00 x 4.00 | 610 x 610 x 102 | Galvanized | 4 |
| ASE30X24X4NK | 30.00 x 24.00 x 4.00 | 762 x 610 x 102 | Painted | 6 |
| ASE30X30X4NK | 30.00 x 30.00 x 4.00 | 762 x 762 x 102 | Painted | 8 |
| ASE6X6X6NK | 6.00 x 6.00 x 6.00 | 152 x 152 x 152 | Painted | 2 |
| ASG6X6X6NK | 6.00 x 6.00 x 6.00 | 152 x 152 x 152 | Galvanized | 2 |
| ASE8X6X6NK | 8.00 x 6.00 x 6.00 | 203 x 152 x 152 | Painted | 2 |
| ASG8X6X6NK | 8.00 x 6.00 x 6.00 | 203 x 152 x 152 | Galvanized | 2 |
| ASE8X8X6NK | 8.00 x 8.00 x 6.00 | 203 x 203 x 152 | Painted | 4 |
| ASG8X8X6NK | 8.00 x 8.00 x 6.00 | 203 x 203 x 152 | Galvanized | 4 |
| ASE10X8X6NK | 10.00 x 8.00 x 6.00 | 254 x 203 x 152 | Painted | 4 |
| ASG10X8X6NK | 10.00 x 8.00 x 6.00 | 254 x 203 x 152 | Galvanized | 4 |
| ASE10X10X6NK | 10.00 x 10.00 x 6.00 | 254 x 254 x 152 | Painted | 4 |
| ASG10X10X6NK | 10.00 x 10.00 x 6.00 | 254 x 254 x 152 | Galvanized | 4 |
| ASE12X6X6NK | 12.00 x 6.00 x 6.00 | 305 x 152 x 152 | Painted | 4 |
| ASE12X8X6NK | 12.00 x 8.00 x 6.00 | 305 x 203 x 152 | Painted | 4 |
| ASG12X8X6NK | 12.00 x 8.00 x 6.00 | 305 x 203 x 152 | Galvanized | 4 |
| ASE12X10X6NK | 12.00 x 10.00 x 6.00 | 305 x 254 x 152 | Painted | 4 |
| ASG12X10X6NK | 12.00 x 10.00 x 6.00 | 305 x 254 x 152 | Galvanized | 4 |
| ASE12X12X6NK | 12.00 x 12.00 x 6.00 | 305 x 305 x 152 | Painted | 4 |
| ASG12X12X6NK | 12.00 x 12.00 x 6.00 | 305 x 305 x 152 | Galvanized | 4 |
| ASE16X12X6NK | 16.00 x 12.00 x 6.00 | 406 x 305 x 152 | Painted | 4 |
| ASG16X12X6NK | 16.00 x 12.00 x 6.00 | 406 x 305 x 152 | Galvanized | 4 |
| ASE16X16X6NK | 16.00 x 16.00 x 6.00 | 406 x 406 x 152 | Painted | 4 |
| ASG16X16X6NK | 16.00 x 16.00 x 6.00 | 406 x 406 x 152 | Galvanized | 4 |
| ASE18X12X6NK | 18.00 x 12.00 x 6.00 | 457 x 305 x 152 | Painted | 4 |
| ASG18X12X6NK | 18.00 x 12.00 x 6.00 | 457 x 305 x 152 | Galvanized | 4 |
| ASE18X18X6NK | 18.00 x 18.00 x 6.00 | 457 x 457 x 152 | Painted | 4 |
| ASG18X18X6NK | 18.00 x 18.00 x 6.00 | 457 x 457 x 152 | Galvanized | 4 |
| ASE24X12X6NK | 24.00 x 12.00 x 6.00 | 610 x 305 x 152 | Painted | 4 |
| ASG24X12X6NK | 24.00 x 12.00 x 6.00 | 610 x 305 x 152 | Galvanized | 4 |
| ASE24X18X6NK | 24.00 x 18.00 x 6.00 | 610 x 457 x 152 | Painted | 4 |
| ASG24X18X6NK | 24.00 x 18.00 x 6.00 | 610 x 457 x 152 | Galvanized | 4 |
| ASE24X20X6NK | 24.00 x 20.00 x 6.00 | 610 x 508 x 152 | Painted | 4 |
| ASG24X20X6NK | 24.00 x 20.00 x 6.00 | 610 x 508 x 152 | Galvanized | 4 |
| ASE24X24X6NK | 24.00 x 24.00 x 6.00 | 610 x 610 x 152 | Painted | 4 |
| ASG24X24X6NK | 24.00 x 24.00 x 6.00 | 610 x 610 x 152 | Galvanized | 4 |
| ASE30X24X6NK | 30.00 x 24.00 x 6.00 | 762 x 610 x 152 | Painted | 6 |
| ASG30X24X6NK | 30.00 x 24.00 x 6.00 | 762 x 610 x 152 | Galvanized | 6 |
| ASE30X30X6NK | 30.00 x 30.00 x 6.00 | 762 x 762 x 152 | Painted | 8 |
| ASG30X30X6NK | 30.00 x 30.00 x 6.00 | 762 x 762 x 152 | Galvanized | 8 |
| ASE36X24X6NK | 36.00 x 24.00 x 6.00 | 914 x 610 x 152 | Painted | 6 |
| ASG36X24X6NK | 36.00 x 24.00 x 6.00 | 914 x 610 x 152 | Galvanized | 6 |
| ASE36X30X6NK | 36.00 x 30.00 x 6.00 | 914 x 762 x 152 | Painted | 8 |
| ASG36X30X6NK | 36.00 x 30.00 x 6.00 | 914 x 762 x 152 | Galvanized | 8 |
| ASE36X36X6NK | 36.00 x 36.00 x 6.00 | 914 x 914 x 152 | Painted | 8 |
| ASG36X36X6NK | 36.00 x 36.00 x 6.00 | 914 x 914 x 152 | Galvanized | 8 |
| ASE8X8X8NK | 8.00 x 8.00 x 8.00 | 203 x 203 x 203 | Painted | 4 |
| ASG8X8X8NK | 8.00 x 8.00 x 8.00 | 203 x 203 x 203 | Galvanized | 4 |
| ASE10X10X8NK | 10.00 x 10.00 x 8.00 | 254 x 254 x 203 | Painted | 4 |
| ASG10X10X8NK | 10.00 x 10.00 x 8.00 | 254 x 254 x 203 | Galvanized | 4 |
| ASE12X10X8NK | 12.00 x 10.00 x 8.00 | 305 x 254 x 203 | Painted | 4 |
| ASG12X10X8NK | 12.00 x 10.00 x 8.00 | 305 x 254 x 203 | Galvanized | 4 |
| ASE12X12X8NK | 12.00 x 12.00 x 8.00 | 305 x 305 x 203 | Painted | 4 |
| ASG12X12X8NK | 12.00 x 12.00 x 8.00 | 305 x 305 x 203 | Galvanized | 4 |
| ASE16X12X8NK | 16.00 x 12.00 x 8.00 | 406 x 305 x 203 | Painted | 4 |
| ASG16X12X8NK | 16.00 x 12.00 x 8.00 | 406 x 305 x 203 | Galvanized | 4 |
| ASE18X12X8NK | 18.00 x 12.00 x 8.00 | 457 x 305 x 203 | Painted | 4 |
| ASG18X12X8NK | 18.00 x 12.00 x 8.00 | 457 x 305 x 203 | Galvanized | 4 |
| ASE18X18X8NK | 18.00 x 18.00 x 8.00 | 457 x 457 x 203 | Painted | 4 |
| ASG18X18X8NK | 18.00 x 18.00 x 8.00 | 457 x 457 x 203 | Galvanized | 4 |
| ASE24X12X8NK | 24.00 x 12.00 x 8.00 | 610 x 305 x 203 | Painted | 4 |
| ASG24X12X8NK | 24.00 x 12.00 x 8.00 | 610 x 305 x 203 | Galvanized | 4 |
| ASE24X18X8NK | 24.00 x 18.00 x 8.00 | 610 x 457 x 203 | Painted | 4 |
| ASG24X18X8NK | 24.00 x 18.00 x 8.00 | 610 x 457 x 203 | Galvanized | 4 |
| ASE24X20X8NK | 24.00 x 20.00 x 8.00 | 610 x 508 x 203 | Painted | 4 |

Screw-Cover Type 1 Pull Boxes and Accessories

| Catalog Number | AxBxCin. | AxBxC mm | Style | Number of Cover Screws |
|----------------|-----------------------|-------------------|------------|------------------------|
| ASG24X20X8NK | 24.00 x 20.00 x 8.00 | 610 x 508 x 203 | Galvanized | 4 |
| ASE24X24X8NK | 24.00 x 24.00 x 8.00 | 610 x 610 x 203 | Painted | 4 |
| ASG24X24X8NK | 24.00 x 24.00 x 8.00 | 610 x 610 x 203 | Galvanized | 4 |
| ASE30X24X8NK | 30.00 x 24.00 x 8.00 | 762 x 610 x 203 | Painted | 6 |
| ASG30X24X8NK | 30.00 x 24.00 x 8.00 | 762 x 610 x 203 | Galvanized | 6 |
| ASE30X30X8NK | 30.00 x 30.00 x 8.00 | 762 x 762 x 203 | Painted | 8 |
| ASG30X30X8NK | 30.00 x 30.00 x 8.00 | 762 x 762 x 203 | Galvanized | 8 |
| ASE36X24X8NK | 36.00 x 24.00 x 8.00 | 914 x 610 x 203 | Painted | 6 |
| ASG36X24X8NK | 36.00 x 24.00 x 8.00 | 914 x 610 x 203 | Galvanized | 6 |
| ASE36X36X8NK | 36.00 x 36.00 x 8.00 | 914 x 914 x 203 | Painted | 8 |
| ASG36X36X8NK | 36.00 x 36.00 x 8.00 | 914 x 914 x 203 | Galvanized | 8 |
| ASE12X12X10NK | 12.00 x 12.00 x 10.00 | 305 x 305 x 254 | Painted | 4 |
| ASG12X12X10NK | 12.00 x 12.00 x 10.00 | 305 x 305 x 254 | Galvanized | 4 |
| ASE18X12X10NK | 18.00 x 12.00 x 10.00 | 457 x 305 x 254 | Painted | 4 |
| ASG18X12X10NK | 18.00 x 12.00 x 10.00 | 457 x 305 x 254 | Galvanized | 4 |
| ASE18X18X10NK | 18.00 x 18.00 x 10.00 | 457 x 457 x 254 | Painted | 4 |
| ASG18X18X10NK | 18.00 x 18.00 x 10.00 | 457 x 457 x 254 | Galvanized | 4 |
| ASE24X12X10NK | 24.00 x 12.00 x 10.00 | 610 x 305 x 254 | Painted | 4 |
| ASG24X12X10NK | 24.00 x 12.00 x 10.00 | 610 x 305 x 254 | Galvanized | 4 |
| ASE24X18X10NK | 24.00 x 18.00 x 10.00 | 610 x 457 x 254 | Painted | 4 |
| ASG24X18X10NK | 24.00 x 18.00 x 10.00 | 610 x 457 x 254 | Galvanized | 4 |
| ASE24X24X10NK | 24.00 x 24.00 x 10.00 | 610 x 610 x 254 | Painted | 4 |
| ASG24X24X10NK | 24.00 x 24.00 x 10.00 | 610 x 610 x 254 | Galvanized | 4 |
| ASE30X24X10NK | 30.00 x 24.00 x 10.00 | 762 x 610 x 254 | Painted | 6 |
| ASG30X24X10NK | 30.00 x 24.00 x 10.00 | 762 x 610 x 254 | Galvanized | 6 |
| ASE30X30X10NK | 30.00 x 30.00 x 10.00 | 762 x 762 x 254 | Painted | 8 |
| ASG30X30X10NK | 30.00 x 30.00 x 10.00 | 762 x 762 x 254 | Galvanized | 8 |
| ASE36X24X10NK | 36.00 x 24.00 x 10.00 | 914 x 610 x 254 | Painted | 6 |
| ASG36X24X10NK | 36.00 x 24.00 x 10.00 | 914 x 610 x 254 | Galvanized | 6 |
| ASE36X36X10NK | 36.00 x 36.00 x 10.00 | 914 x 914 x 254 | Painted | 8 |
| ASG36X36X10NK | 36.00 x 36.00 x 10.00 | 914 x 914 x 254 | Galvanized | 8 |
| ASE12X12X12NK | 12.00 x 12.00 x 12.00 | 305 x 305 x 305 | Painted | 4 |
| ASG12X12X12NK | 12.00 x 12.00 x 12.00 | 305 x 305 x 305 | Galvanized | 4 |
| ASE24X12X12NK | 24.00 x 12.00 x 12.00 | 610 x 305 x 305 | Painted | 4 |
| ASG24X12X12NK | 24.00 x 12.00 x 12.00 | 610 x 305 x 305 | Galvanized | 4 |
| ASE18X18X12NK | 18.00 x 18.00 x 12.00 | 457 x 457 x 305 | Painted | 4 |
| ASG18X18X12NK | 18.00 x 18.00 x 12.00 | 457 x 457 x 305 | Galvanized | 4 |
| ASE24X18X12NK | 24.00 x 18.00 x 12.00 | 610 x 457 x 305 | Painted | 4 |
| ASG24X18X12NK | 24.00 x 18.00 x 12.00 | 610 x 457 x 305 | Galvanized | 4 |
| ASE24X24X12NK | 24.00 x 24.00 x 12.00 | 610 x 610 x 305 | Painted | 4 |
| ASG24X24X12NK | 24.00 x 24.00 x 12.00 | 610 x 610 x 305 | Galvanized | 4 |
| ASE30X24X12NK | 30.00 x 24.00 x 12.00 | 762 x 610 x 305 | Painted | 6 |
| ASG30X24X12NK | 30.00 x 24.00 x 12.00 | 762 x 610 x 305 | Galvanized | 6 |
| ASE30X30X12NK | 30.00 x 30.00 x 12.00 | 762 x 762 x 305 | Painted | 8 |
| ASG30X30X12NK | 30.00 x 30.00 x 12.00 | 762 x 762 x 305 | Galvanized | 8 |
| ASE36X24X12NK | 36.00 x 24.00 x 12.00 | 914 x 610 x 305 | Painted | 6 |
| ASG36X24X12NK | 36.00 x 24.00 x 12.00 | 914 x 610 x 305 | Galvanized | 6 |
| ASE36X36X12NK | 36.00 x 36.00 x 12.00 | 914 x 914 x 305 | Painted | 8 |
| ASG36X36X12NK | 36.00 x 36.00 x 12.00 | 914 x 914 x 305 | Galvanized | 8 |
| ASE48X48X12NK | 48.00 x 48.00 x 12.00 | 1219 x 1219 x 305 | Painted | 12 |
| ASG48X48X12NK | 48.00 x 48.00 x 12.00 | 1219 x 1219 x 305 | Galvanized | 12 |
| ASE30X30X16NK | 30.00 x 30.00 x 16.00 | 762 x 762 x 406 | Painted | 8 |
| ASG30X30X16NK | 30.00 x 30.00 x 16.00 | 762 x 762 x 406 | Galvanized | 8 |
| ASE36X36X16NK | 36.00 x 36.00 x 16.00 | 914 x 914 x 406 | Painted | 8 |
| ASG36X36X16NK | 36.00 x 36.00 x 16.00 | 914 x 914 x 406 | Galvanized | 8 |
| ASE48X48X16NK | 48.00 x 48.00 x 16.00 | 1219 x 1219 x 406 | Painted | 12 |
| ASG48X48X16NK | 48.00 x 48.00 x 16.00 | 1219 x 1219 x 406 | Galvanized | 12 |



Screw-Cover Type 1 Pull Boxes and Accessories

Flush Covers

Designed to mount on enclosure for flush installations. Cover is 16 or 14 gauge steel finished with ANSI 61 gray polyester powder paint.

Bulletin: A90P1



87948556

Standard Product

| Catalog Number | AxB in./mm | Fits Box Size A x B in./mm | G in./mm | H in./mm | J in./mm | L in./mm | Cover Gauge |
|----------------|---------------|----------------------------|----------|----------|----------|----------|-------------|
| AFE6X6 | 7.50 x 7.50 | 6.00 x 6.00 | 1.03 | 5.44 | 3.75 | — | 16 |
| | 191 x 191 | 152 x 152 | 26 | 138 | 95 | — | 16 |
| AFE8X6 | 9.50 x 7.50 | 8.00 x 6.00 | 1.03 | 5.44 | 4.75 | — | 16 |
| | 241 x 191 | 203 x 152 | 26 | 138 | 121 | — | 16 |
| AFE8X8 | 9.50 x 9.50 | 8.00 x 8.00 | 1.03 | 7.44 | 2.77 | 4.31 | 16 |
| | 241 x 241 | 203 x 203 | 26 | 189 | 70 | 109 | 16 |
| AFE10X8 | 11.50 x 9.50 | 10.00 x 8.00 | 1.03 | 7.44 | 2.77 | 6.31 | 16 |
| | 292 x 241 | 254 x 203 | 26 | 189 | 70 | 160 | 16 |
| AFE10X10 | 11.50 x 11.50 | 10.00 x 10.00 | 1.03 | 9.44 | 2.77 | 6.31 | 16 |
| | 292 x 292 | 254 x 254 | 26 | 240 | 70 | 160 | 16 |
| AFE12X8 | 13.50 x 9.50 | 12.00 x 8.00 | 1.03 | 7.44 | 2.77 | 8.31 | 16 |
| | 343 x 241 | 305 x 203 | 26 | 189 | 70 | 211 | 16 |
| AFE12X12 | 13.50 x 13.50 | 12.00 x 12.00 | 1.03 | 11.44 | 2.77 | 8.31 | 16 |
| | 343 x 343 | 305 x 305 | 26 | 291 | 70 | 211 | 16 |
| AFE18X12 | 19.50 x 13.50 | 18.00 x 12.00 | 1.03 | 11.44 | 2.77 | 14.31 | 16 |
| | 495 x 343 | 457 x 305 | 26 | 291 | 70 | 363 | 16 |
| AFE18X18 | 19.50 x 19.50 | 18.00 x 18.00 | 1.03 | 17.44 | 2.77 | 14.31 | 16 |
| | 495 x 495 | 457 x 457 | 26 | 443 | 70 | 363 | 16 |
| AFE24X18 | 25.50 x 19.50 | 24.00 x 18.00 | 1.05 | 17.41 | 2.77 | 20.31 | 14 |
| | 648 x 495 | 610 x 457 | 27 | 442 | 70 | 516 | 14 |
| AFE24X24 | 25.50 x 25.50 | 24.00 x 24.00 | 1.05 | 23.41 | 2.77 | 20.31 | 14 |
| | 648 x 648 | 610 x 610 | 27 | 595 | 70 | 516 | 14 |

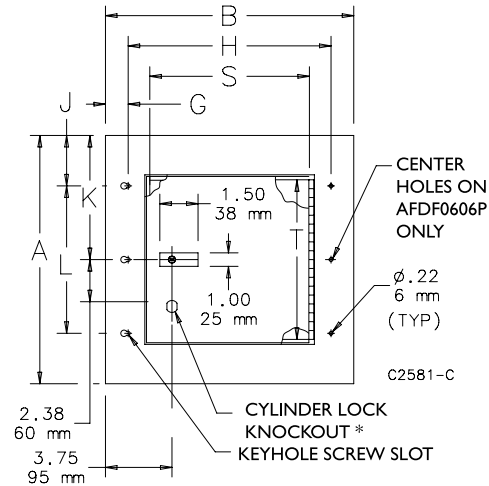
Screw-Cover Type 1 Pull Boxes and Accessories

Flush-Mount Door Frames



- Continuous hinge
- Rugged black composite slide latch
- Optional tamper-resistant lock kit includes cylinder lock, tamper-resistant screws and special driver bit.
- Lock Kit: ACLFDF
- 14 gauge steel door frame has ANSI 61 gray polyester powder paint finish

Bulletin: A90P1



Use in Screw-Cover Pull Box telephone cabinet installations or in communication wiring and signal systems. Also as a junction or pull box and switch enclosure.

Standard Product

| Catalog Number | Frame Size A x B in./mm | Door Size T in./mm | Door Size S in./mm | Fits Box Size A x B in./mm | G in./mm | H in./mm | J in./mm | K in./mm | L in./mm |
|------------------|-------------------------------|--------------------------|--------------------------|----------------------------------|-------------|--------------|-------------|--------------|--------------|
| AFDF0606P | 8.00 x 8.00 203 x 203 | 3.00 76 | 3.00 76 | 6.00 x 6.00 152 x 152 | 1.28 32 | 5.44 138 | N/A N/A | 4.00 102 | N/A N/A |
| AFDF1212P | 14.00 x 14.00 356 x 356 | 9.00 229 | 9.00 229 | 12.00 x 12.00 305 x 305 | 1.28 32 | 11.44 291 | 2.84 72 | 7.00 178 | 8.31 211 |
| AFDF1812P | 20.00 x 14.00 508 x 356 | 15.00 381 | 9.00 229 | 18.00 x 12.00 457 x 305 | 1.28 32 | 11.44 291 | 2.84 72 | 10.00 254 | 14.31 364 |
| AFDF1818P | 20.00 x 20.00 508 x 508 | 15.00 381 | 15.00 381 | 18.00 x 18.00 457 x 457 | 1.28 32 | 17.44 443 | 2.84 72 | 10.00 254 | 14.31 364 |
| AFDF2418P | 26.00 x 20.00 660 x 508 | 21.00 533 | 15.00 381 | 24.00 x 18.00 610 x 457 | 1.28 32 | 17.44 443 | 2.84 72 | 13.00 330 | 20.31 516 |
| AFDF2424P | 26.00 x 26.00 660 x 660 | 21.00 533 | 21.00 533 | 24.00 x 24.00 610 x 610 | 1.30 33 | 23.41 595 | 2.84 72 | 13.00 330 | 20.31 516 |
| AFDF3024P | 32.00 x 26.00 813 x 660 | 27.00 686 | 21.00 533 | 30.00 x 24.00 762 x 610 | 1.30 33 | 23.41 595 | 2.84 72 | 16.00 406 | 26.31 668 |