



Middle Atlantic Products

EXCEPTIONAL SUPPORT & PROTECTION™

LD Series Monitoring / Command Desk



LD Series monitoring desks are optimized for flat screens and ergonomically designed with the user in mind

Features

- Modular design allows economical additions and a wide array configuration choices
- 48" and 64" widths available
- Connecting wedges available in 45° and 90° for versatile monitoring setups
- Power distribution and cable management cabinet features integral front and rear doors for convenient access
- LCD monitors can be mounted using optional monitor arms or placed on desks using manufacturer's stands
- Add-A-Bay™ models allow for economical expansion of desks
- Stable design will not tip; no leg extensions required
- A full complement of accessories available to finish any installation
- Available in an attractive Dark Cherry, Honey Maple, Pepperstone and Slate finish



As Shown

| Qty | Part # | Description |
|-----|------------|---|
| 2 | LD-4830HM | 48" LCD Monitoring Desk- Honey Maple Finish |
| 1 | LD-W4530HM | 45° Wedge with Cable Management Cabinet- Honey Maple Finish |
| 1 | LD-SP30-HM | Standard Side Panels (Pair)- Honey Maple Finish |
| 1 | MMB2X1 | LCD Monitor Mount- 2 across |
| 1 | MMB2X2 | LCD Monitor Mount- 2 across, 2 levels |
| 1 | D-CPU | Articulating under-desk computer mount |
| 2 | D-PT15 | Pencil Tray |

As Shown

| Qty | Part # | Description |
|-----|------------|---|
| 1 | LD-6430PS | 64" LCD Monitoring Desk- Pepperstone Finish |
| 1 | LD-KBPS | Keyboard Shelf- Pepperstone Finish |
| 1 | LD-SP30-SL | Standard Side Panels (Pair)- Slate Finish |
| 1 | LD-L64 | Light Bridge |
| 1 | MMB3X1D | LCD Monitor Mount- 3 across, low profile |



96-01006 / rev 5e / 09-29-11 / LCD Monitoring / Command Desk

CUSTOMIZABLE SPECIFICATION CLIPS AVAILABLE AT MIDDLEATLANTIC.COM

Architects' and Engineers' Specifications

LD Series monitoring desk shall be Middle Atlantic Products model # LD-xx30xx. Overall dimensions shall be ___" W x 30.03" H x 32.24" D (refer to chart). Desktop finish shall be available in dark cherry, honey maple or pepperstone finish and constructed of 1" thick 45 lb. density industrial MDF board with thermolaminate. Power distribution and cable management cabinet shall be constructed of fully welded, 16-gauge steel and feature integral front and rear doors for convenient access. Stainless steel footrest shall be constructed of 18-gauge steel. Gangable side rack with smoked plexi front door and 12 racks of 11-gauge steel rackrail with tapped 10-32 mounting holes shall be Middle Atlantic Products model # LD-1230*. Connecting wedges available with and without cable management cabinet in 45° and 90° (only available with cable management cabinet) shall be Middle Atlantic Products model #LDW__30* (refer to chart). Monitor mounts accommodate any size LCD monitor up to ___ lbs. (refer to chart) with a VESA 75 / VESA 100 mounting pattern and shall be Middle Atlantic Products model # MMBXXX (1X1= 1, articulating / 2X1, 2 across / 1X2, 2 vertical / 1X2PL 2 monitors landscape/portrait / 3X1D, 3 across / 2X2, 2 across, 2 levels / / 3X2D, 3 across, 2 levels). Desk shall ship flat. LCD Monitoring / Command Desk shall be GREENGUARD Indoor Air Quality Certified for Children and Schools. LCD Monitoring / Command Desk and its components shall be RoHS EU Directive 2002 / 95 / EC Compliant. LCD Monitoring / Command Desk and its components shall be manufactured by an ISO 9001 and ISO 14001 registered company. The LCD Monitoring/Command Desk, isolation rack computer mount (enclosure only), side panel and connecting wedge shall be warranted to be free from defects in material or workmanship under normal use and conditions for a period of 7 years. The articulating computer mount, keyboard shelf, light bridge, adjustable light, isolation rack computer mount (fans only) and phone holder shall be warranted to be free from defects in material or workmanship under normal use and conditions for a period of 3 years. The monitor mount shall be warranted to be free from defects in material or workmanship under normal use and conditions for the lifetime of the product.

OPTIONS

- Add-A-Bay™ - allows for economical expansion of desks, shall be Middle Atlantic Products part # LD-XX30*_RA (XX = 48", 64")
- Light Bridge - shall be Middle Atlantic Products part # LD-LXX (XX = 48", 64")
- Light Bridge Add-A-Bay™ - shall be Middle Atlantic Products part # LD-LXX4803RA (XX = 48", 64")
- Side Panels - available in both standard height and full-height, sold in pairs, shall be Middle Atlantic Products part # LD-SP30* (standard), LD-PSP30* (full-height)
- CPU Mounts - available as an articulating under-desk mount or as an isolation rack with gasketed doors, sound isolation materials, fan and work surface, shall be Middle Atlantic Products part # D-CPU (articulating), LD-QCPUT-* (isolation rack)
- Adjustable Light - conveniently mounts in grommet of desk or wedge, shall be Middle Atlantic Products part # LD-LGM
- Keyboard Shelf - fully articulating, includes wrist rest, shall be Middle Atlantic Products part # LD-KB*
- Pencil tray** - mounts under desk for convenient storage, shall be Middle Atlantic Products part # D-PTX (X = 15", 22")
- Power strip - Mounts inside cable management cabinet, shall be Middle Atlantic Products part # PD-815SC (with surge protection) / PD-815SC-NS (without surge protection)
- Gangable side rack with smoked plexi front door and 12 racks of 11-gauge steel rackrail with tapped 10-32 mounting holes shall be Middle Atlantic Products model # LD-1230*.
- Connecting wedges available with cable management in 45° and 90° or without cable management (45° only) and shall be Middle Atlantic Products model # LDWX*_30 / LDWTX*_30 (refer to chart)

* Suffix part number with desired color (DC = Dark Cherry, HM = Honey Maple, PS = Pepperstone)

* LD-M3X1 does not fit on 48" desk (LD-48)

** D-PT15 / D-PT22 can be used with keyboard shelf, but shelf must be lowered in order to open and close pencil tray.

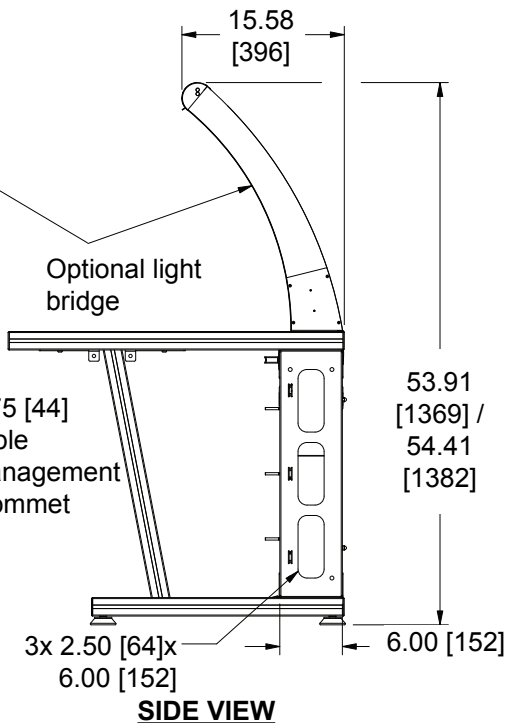
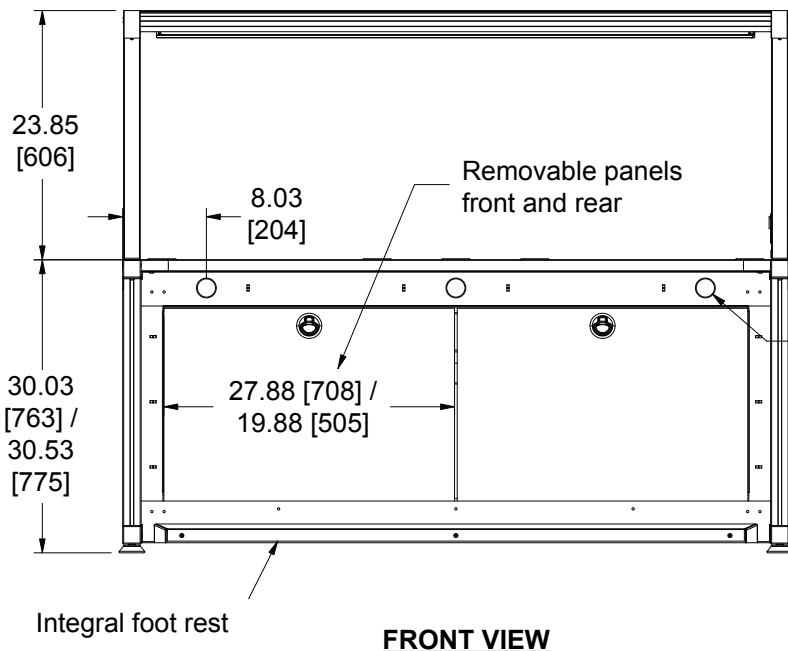
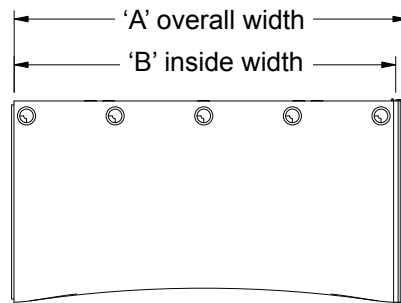
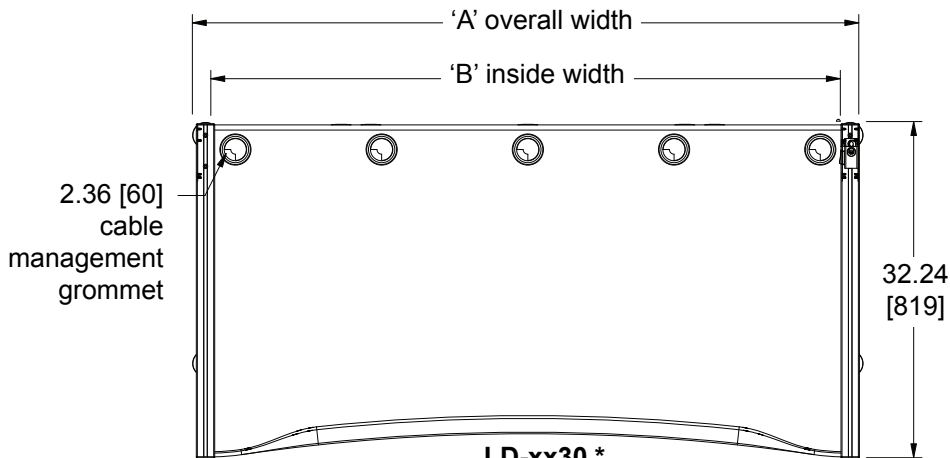
1 per side or center of desk. D-PT22 does not fit on 48" desk (LD4830)

LD Series Monitoring Desk basic dimensions

All dimensions in inches [Bracketed dimensions in millimeters]

| DESK | 'A' OVERALL WIDTH | 'B' INSIDE WIDTH | DESCRIPTION |
|------------|-------------------|------------------|-------------------------|
| LD-6430xx* | 63.91 [1623] | 60.37 [1533] | 64" LCD Monitoring Desk |
| LD-4830xx* | 47.91 [1217] | 44.37 [1127] | 48" LCD Monitoring Desk |

* When ordering suffix part number with desired color
(DC = Dark Cherry, HM = Honey Maple, PS = Pepperstone)

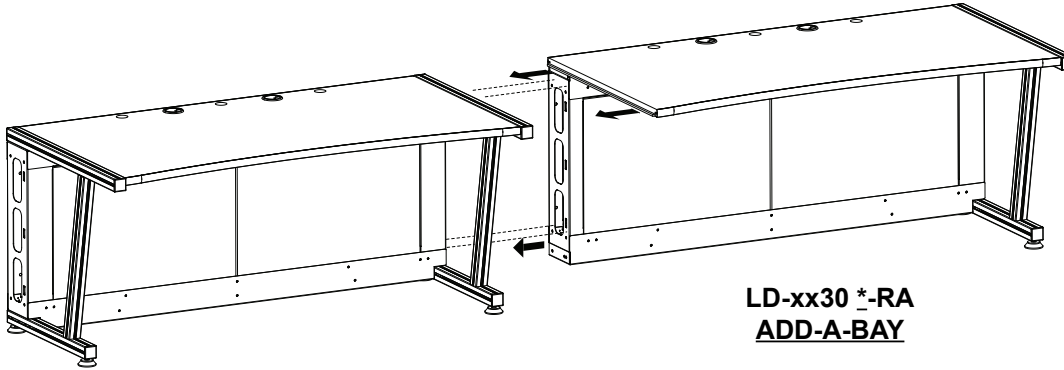


LD Series Add-A-Bay basic dimensions

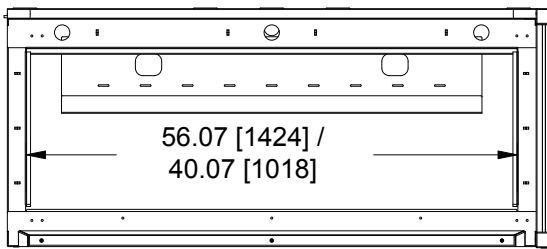
All dimensions in inches [Bracketed dimensions in millimeters]

| DESK | 'A' OVERALL WIDTH | 'B' INSIDE WIDTH | DESCRIPTION |
|---------------|-------------------|------------------|---|
| LD6430xx *-RA | 62.14 [1578] | 60.37 [1533] | 64" Add-A-Bay Right LCD Monitoring Desk |
| LD4830xx *-RA | 46.14 [1172] | 44.37 [1127] | 48" Add-A-Bay Right LCD Monitoring Desk |

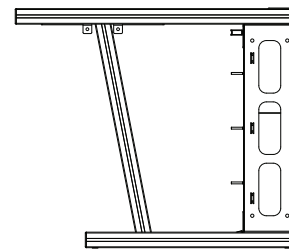
* When ordering suffix part number with desired color (LC=Light Charcoal, MP=Maple, PS=Pepperstone)



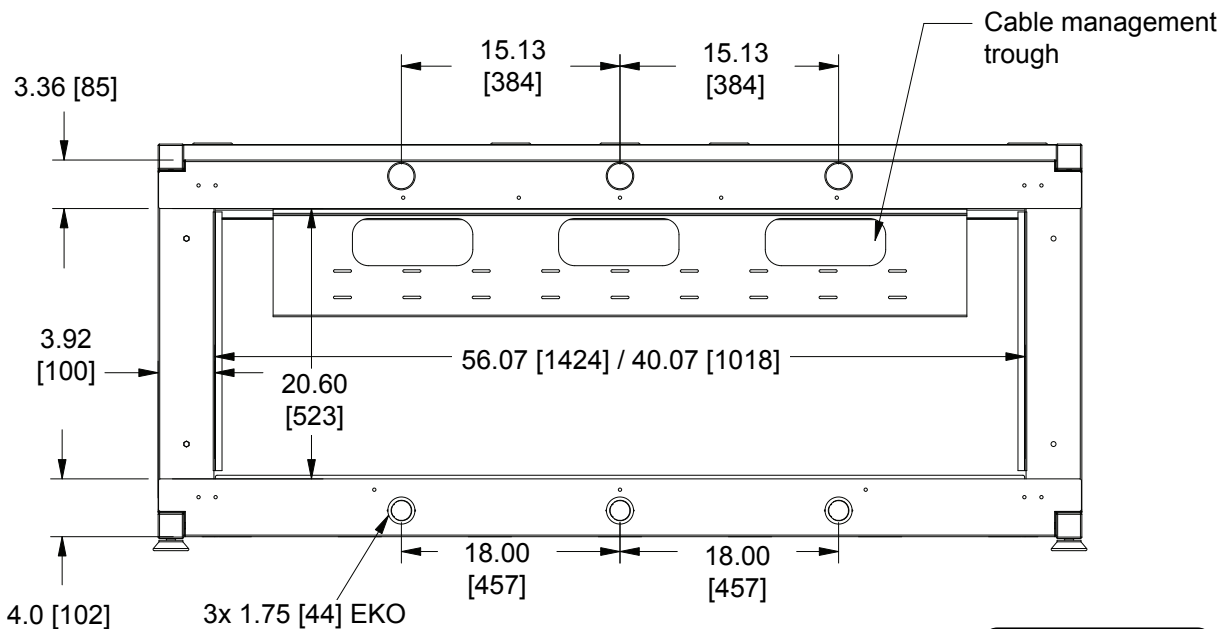
**LD-xx30 *-RA
ADD-A-BAY**



FRONT VIEW



SIDE VIEW



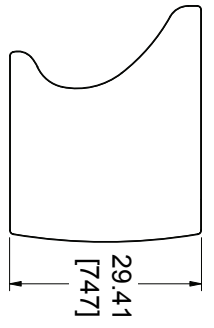
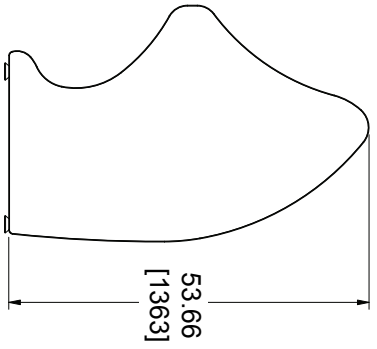
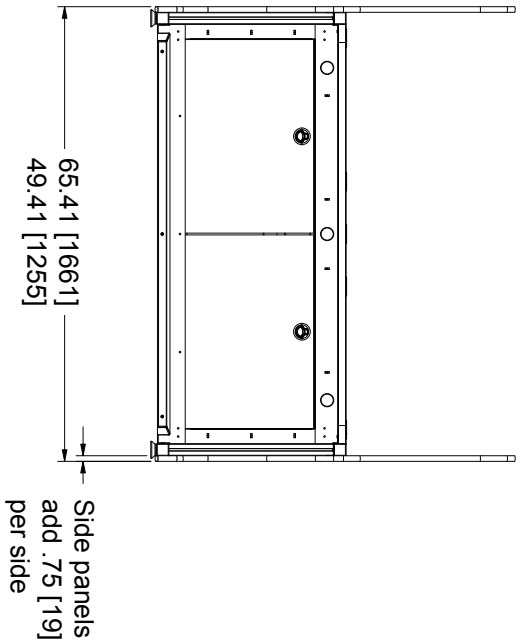
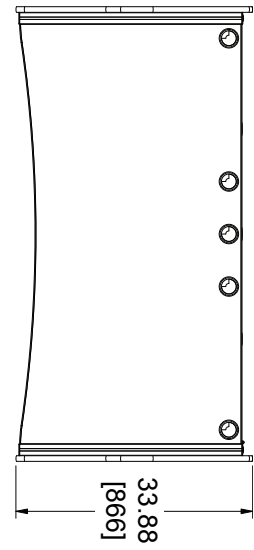
REAR VIEW w/ PANELS REMOVED



LD Series Side Panel basic dimensions

* When ordering suffix part number with desired color (L=C=Light Charcoal, MP=Maple)

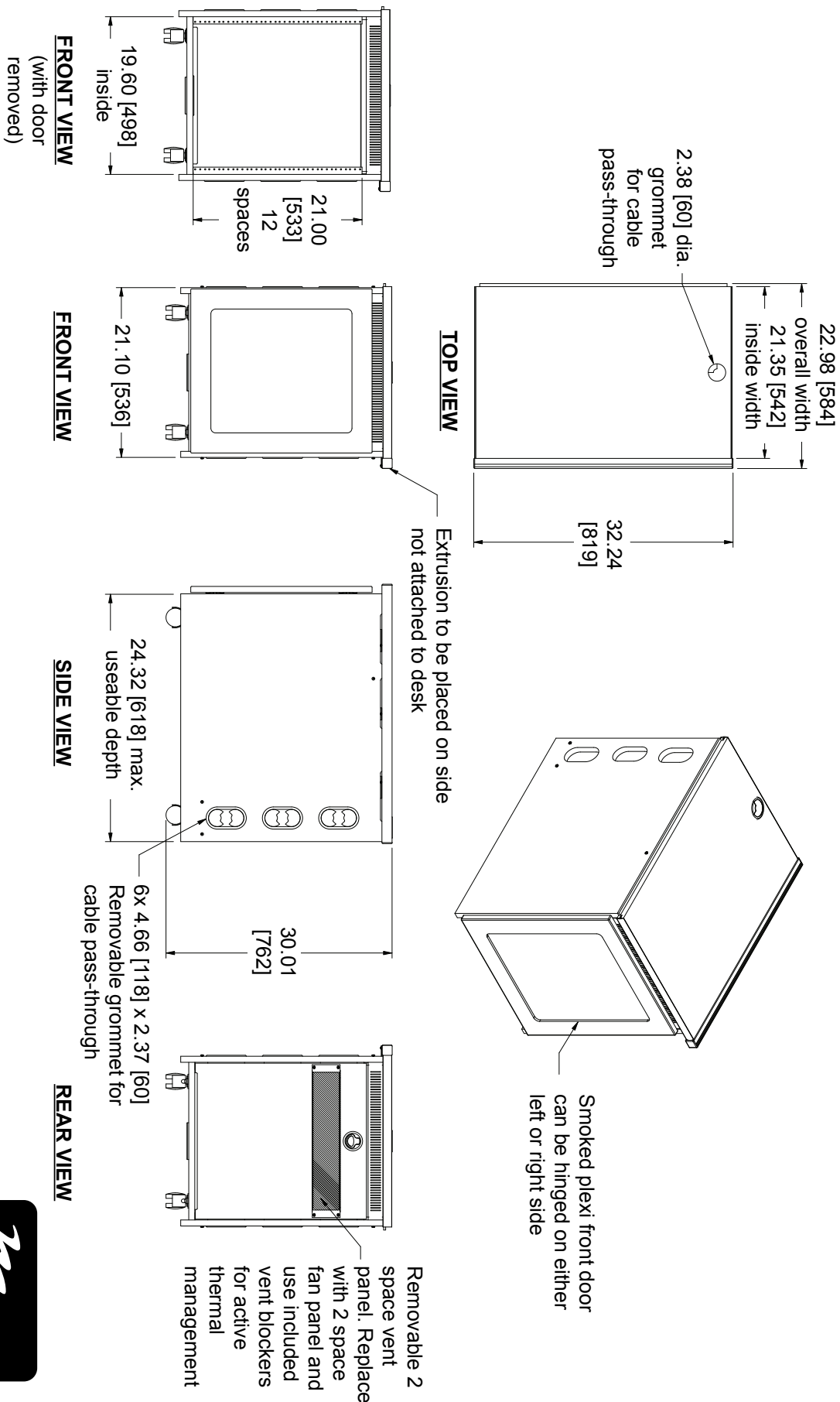
All dimensions in inches [Bracketed dimensions in millimeters]



LD-1230 * Side Rack basic dimensions

LD-1230* side rack gangs to desk w/ included hardware and provides 12 rackspace for equipment mounting behind an attractive smoked plexi front door. In order to join LD-1230* side rack to LD wedges, the LD-WK joiner kit is required.

All dimensions in inches [Bracketed dimensions in millimeters]



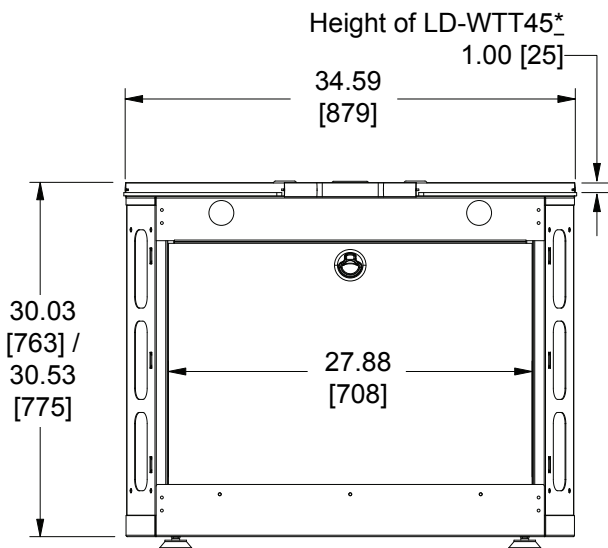
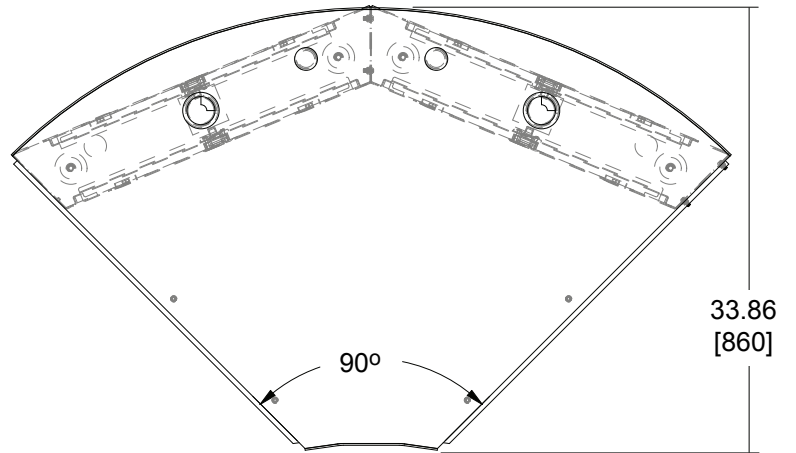
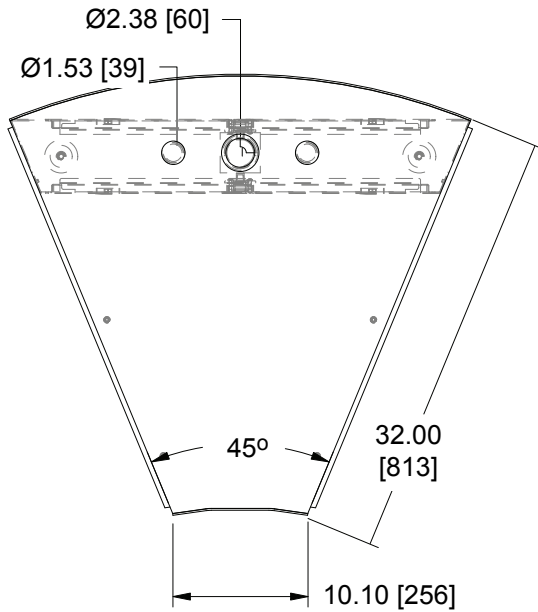
LD Series Wedge basic dimensions

All dimensions in inches [Bracketed dimensions in millimeters]

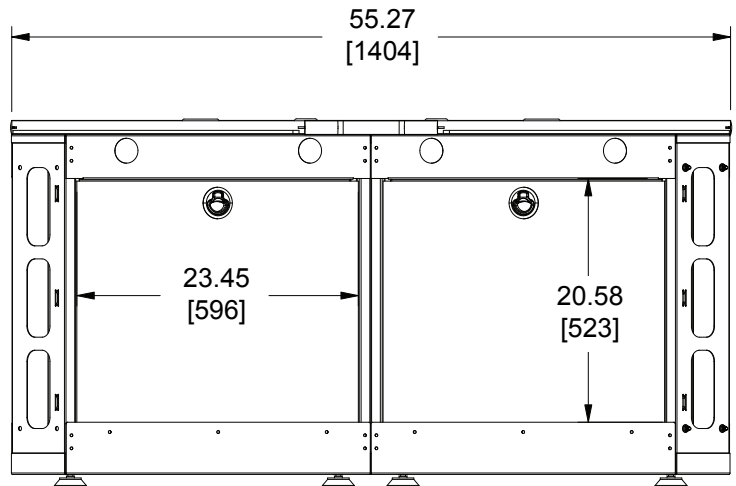
In order to join LD-1230* side rack to LD wedges, the LD-WK joiner kit is required.

| WITH CABLE MANAGEMENT CABINET | WITHOUT CABLE MANAGEMENT CABINET | ANGLE |
|----------------------------------|-------------------------------------|-------|
| LD-W4530 * | LD-WTT4530 * | 45° |
| LD-W9030 * | - | 90° |

* When ordering suffix part number with desired color (DC = Dark Cherry, HM = Honey Maple, PS = Pepperstone)



LD-W4530*



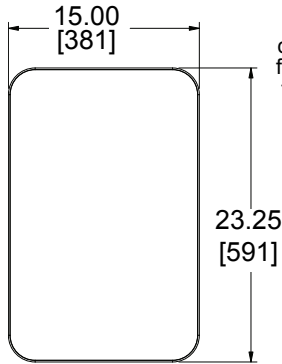
LD-W9030*



CPU Mount basic dimensions

All dimensions in inches [Bracketed dimensions in millimeters]

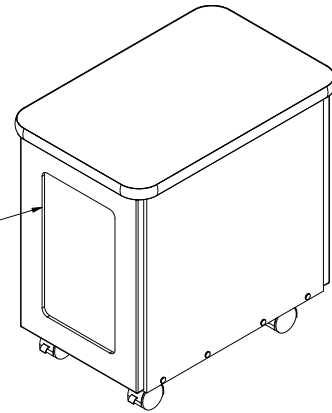
LD-QCPUT TOP VIEW



LD-QCPUT

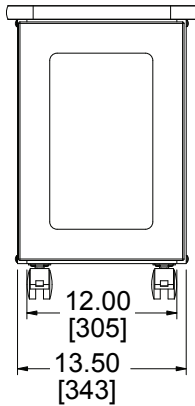
Gasketed plexi front doors and gasketed laminated rear doors control noise and open 95° on concealed hinges. The rear door features a built-in ultra low-noise fan for cooling plus removable filter kit, while a brush grommet at the bottom allows cable exit while maintaining a seal for noise and air flow

Both front and rear doors can be hinged on either left or right side

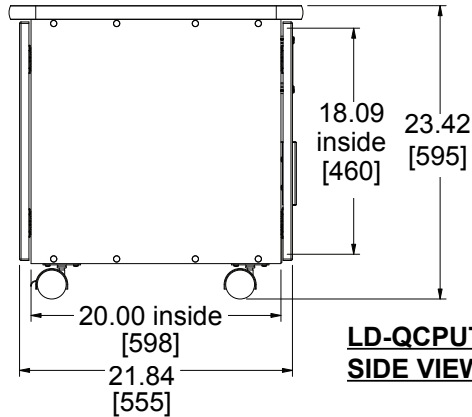


| PART # | DESCRIPTION |
|-----------|-----------------------------------|
| LD-QCPUT* | Under-desk CPU isolation rack |
| LD-CPU | Articulating under-desk CPU mount |

LD-QCPUT- FRONT VIEW

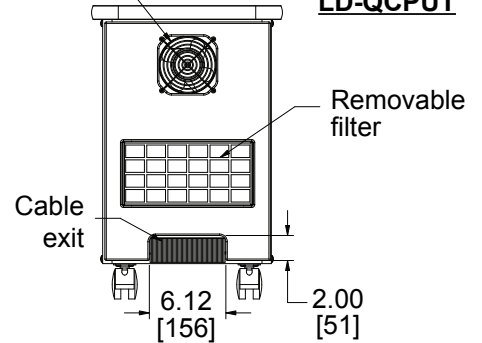


* When ordering suffix part number with desired color (DC = Dark Cherry, HM = Honey Maple, PS = Pepperstrone)

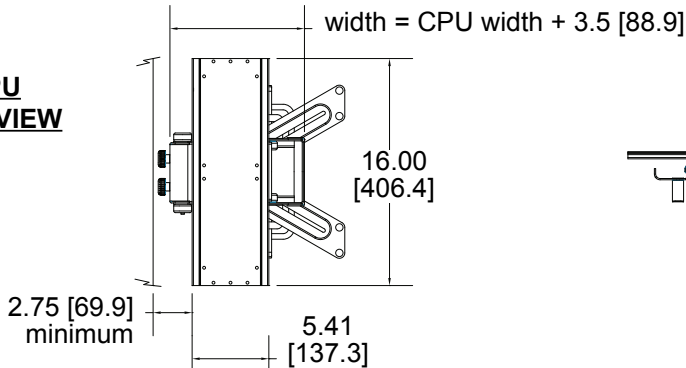


Fan, 55 cfm, 115V
5.5 watt, 28 dBA

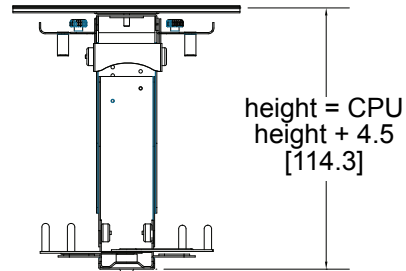
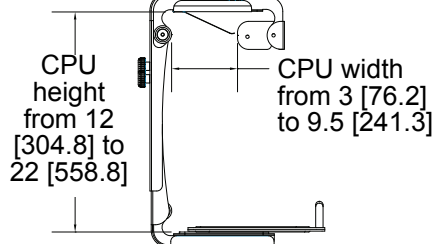
LD-QCPUT



D-CPU FRONT VIEW



D-CPU TOP VIEW

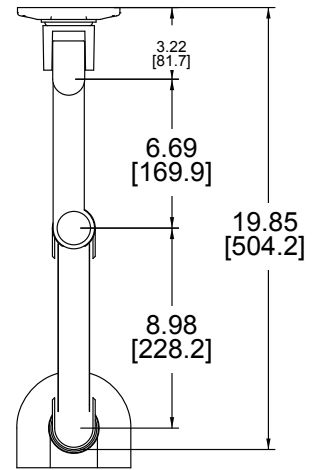
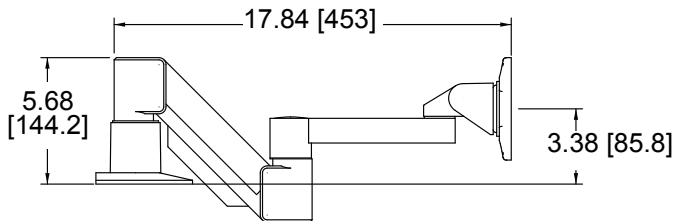
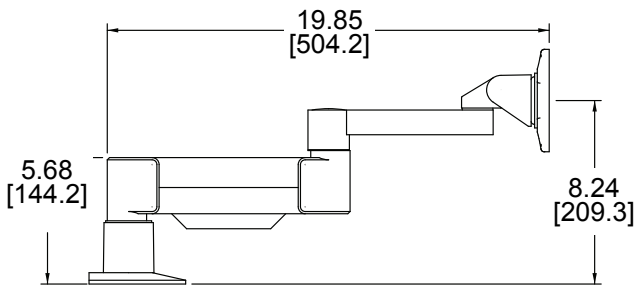
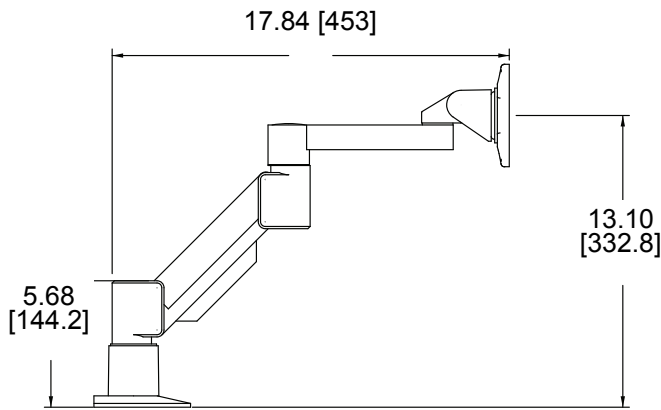


D-CPU SIDE VIEW



LD Series Monitor Mount, 1X1 basic dimensions

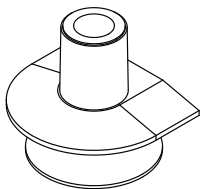
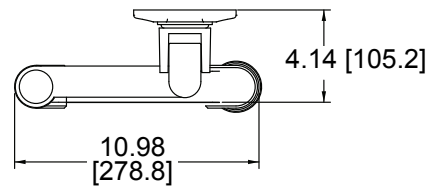
All dimensions in inches [Bracketed dimensions in millimeters]



MMB 1X1

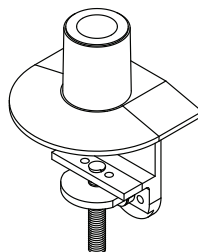
Notes:

- Vertical Range - 9.72"
Horizontal Range - 19.85"
Rotation - 360 degrees at three joints
Monitor Tilt - 200 degrees
Monitor Pivot - landscape to portrait
Monitor Compatibility - VESA 75 mm and 100 mm
Monitor Weight - 13-28 lbs
- Monitor mount can be attached to desk through hole in desk (min dia +5") from underneath with included grommet mount or to edge of desk with included clamp mount



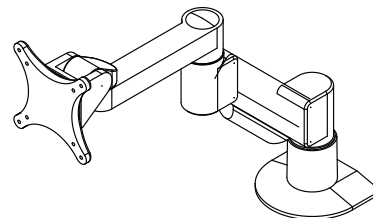
GROMMET MOUNT

hole size
min- 0.4 [10.16]
max- 3.875 [98.43]



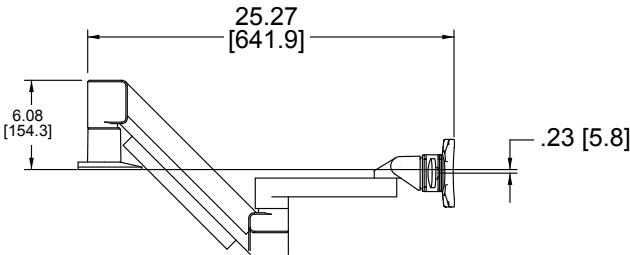
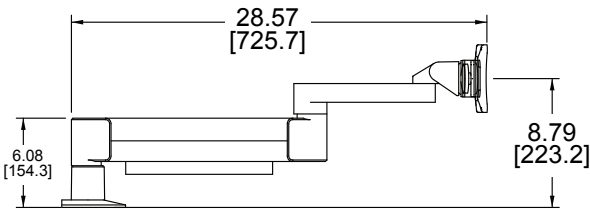
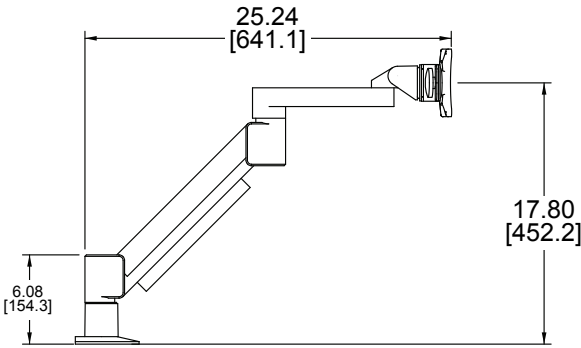
CLAMP MOUNT

grip range
min- 0.0 [0]
max- 2.730 [69.34]



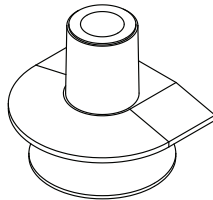
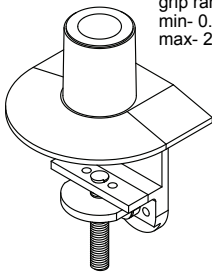
LD Series Monitor Mount, 1X2, Horizontal basic dimensions

All dimensions in inches [Bracketed dimensions in millimeters]



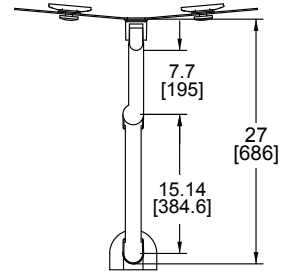
CLAMP MOUNT

grip range
min- 0.0 [0]
max- 2.730 [69.34]

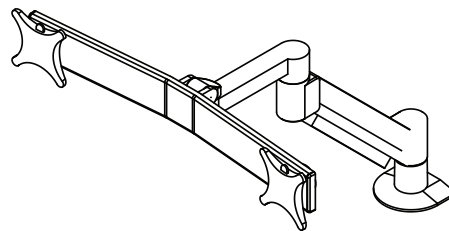
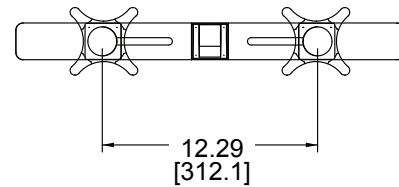
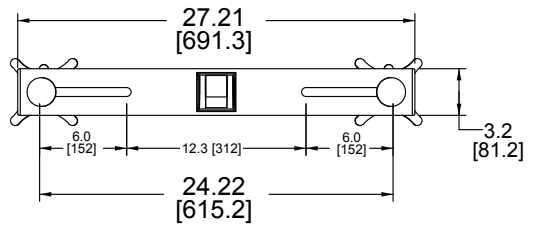
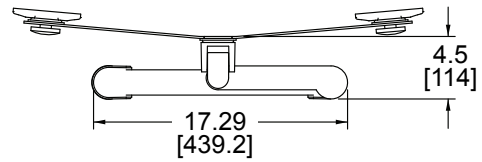


GROMMET MOUNT

hole size
min- 0.4 [10.16]
max- 3.875 [98.43]



MMB2X1



Notes:

- Vertical Range - 9.72"
Horizontal Range - 26.77"
Rotation - 360 degrees at three joints
Monitor Tilt - 200 degrees
Monitor Pivot - landscape to portrait
Monitor Compatibility - VESA 75 mm and 100 mm
Monitor Weight - 9-21 lbs

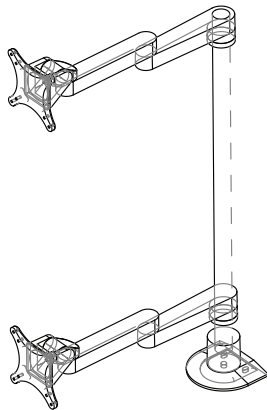
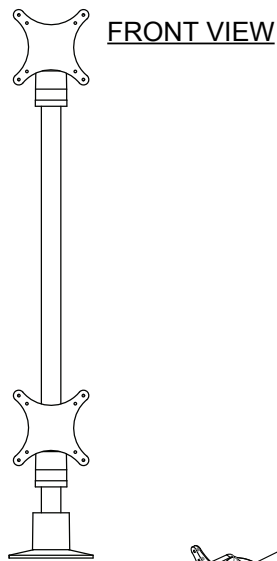
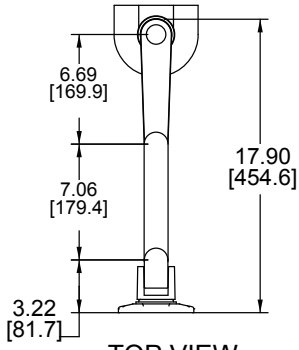
- Monitor mount can be attached to desk through hole in desk (min dia +5") from underneath with included grommet mount or to edge of desk with included clamp mount



LD Series Monitor Mount, 1X2 Vertical basic dimensions

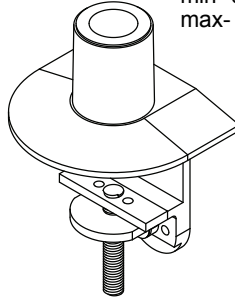
All dimensions in inches [Bracketed dimensions in millimeters]

MMB1X2



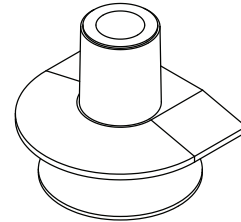
CLAMP MOUNT

grip range
min- 0.0 [0]
max- 2.730 [69.34]

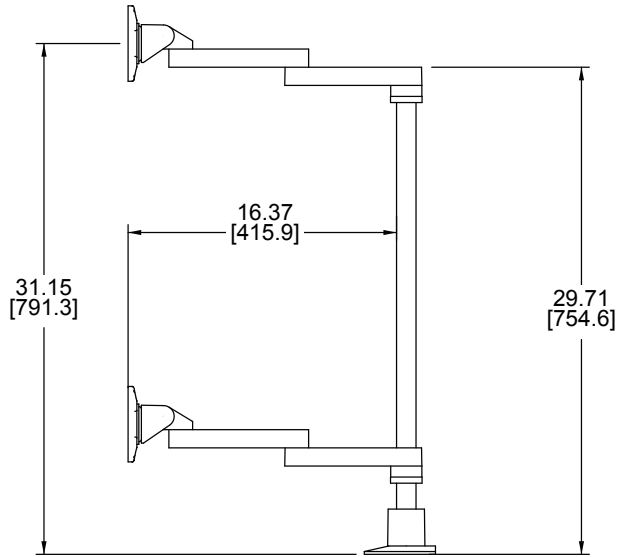


GROMMET MOUNT

hole size
min- 0.4 [10.16]
max- 3.875 [98.43]



SIDE VIEW



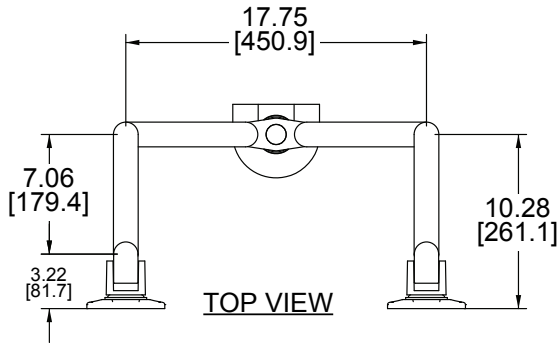
Notes:

1. Vertical Range - 16"
Pole height - 28"
Monitor Tilt - 200 degrees
Monitor Pivot - landscape to portrait
Monitor Compatibility - VESA 75 mm and 100 mm
Monitor Weight - up to 25 lbs per monitor
2. Monitor mount can be attached to desk through hole in desk (min dia +5") from underneath with included grommet mount or to edge of desk with included clamp mount

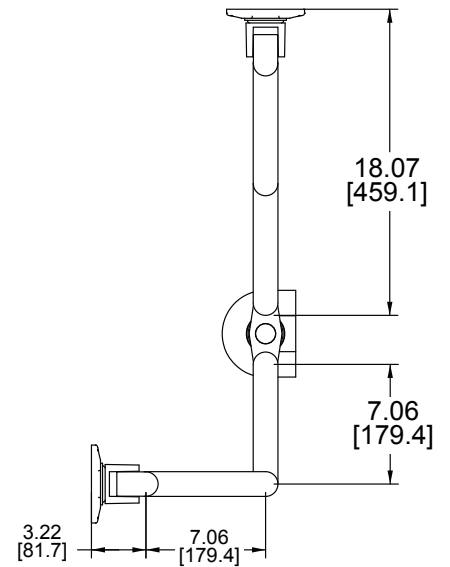
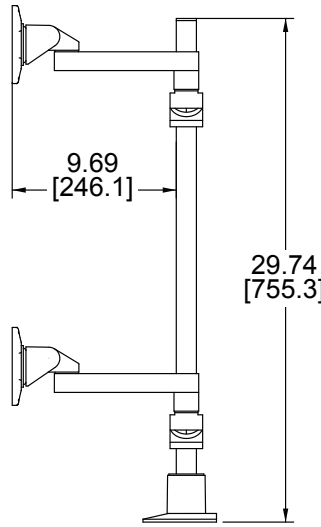
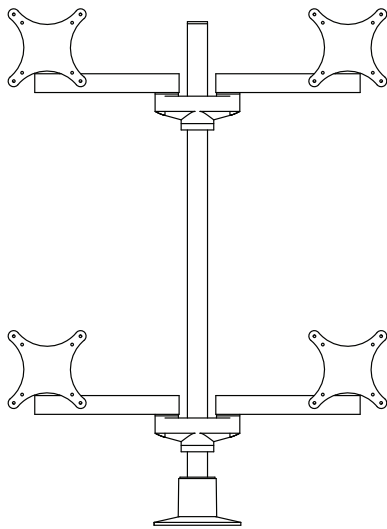
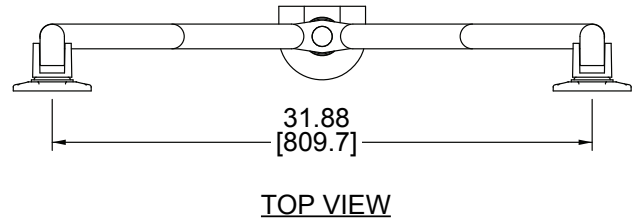


LD Series Monitor Mount, 2X2, 2 Across, 2 Levels basic dimensions

All dimensions in inches [Bracketed dimensions in millimeters]



MMB2X2

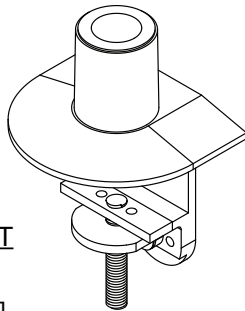


FRONT VIEW

SIDE VIEW

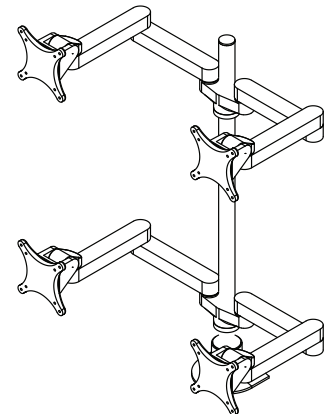
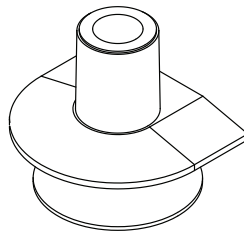
CLAMP MOUNT

grip range
min- 0.0 [0]
max- 2.730 [69.34]



GROMMET MOUNT

hole size
min- 0.4 [10.16]
max- 3.875 [98.43]



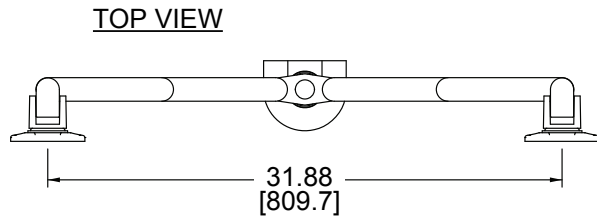
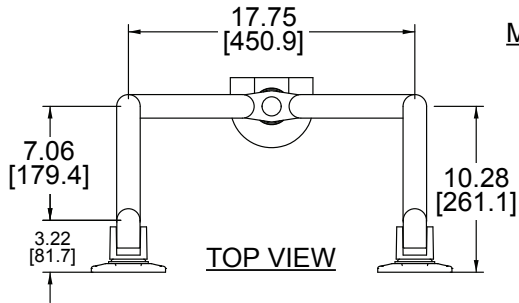
Notes:

- Vertical Range - 17.5"
Horizontal Range - 28"
Monitor Tilt - 200 degrees
Monitor Pivot - landscape to portrait
Monitor Compatibility - VESA 75 mm and 100 mm
Monitor Weight - up to 22 lbs per monitor
- Monitor mount can be attached to desk through hole in desk (min dia +5") from underneath with included grommet mount or to edge of desk with included clamp mount

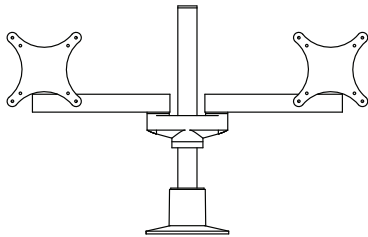


LD Series Monitor Mount, 1X2 Landscape/Portrait basic dimensions

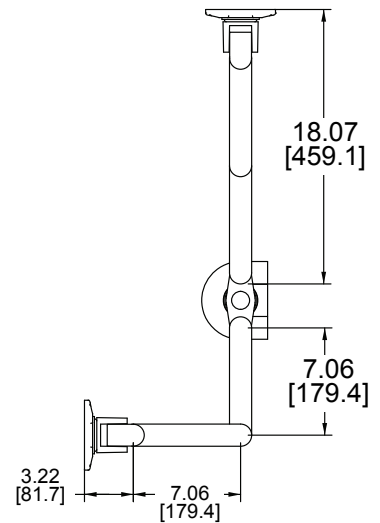
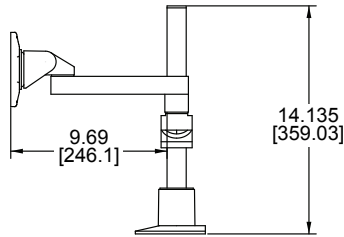
All dimensions in inches [Bracketed dimensions in millimeters]



FRONT VIEW

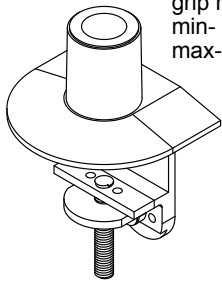


SIZE VIEW



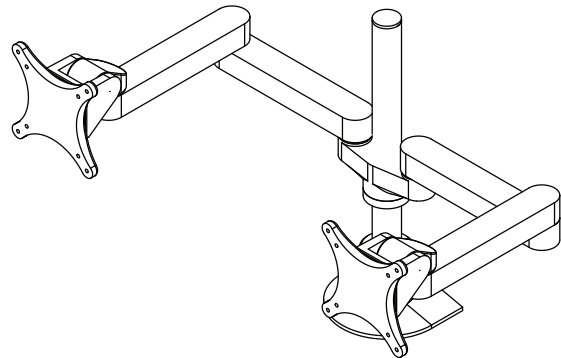
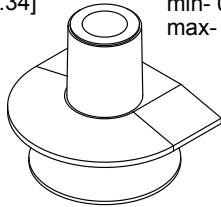
CLAMP MOUNT

grip range
min- 0.0 [0]
max- 2.730 [69.34]



GROMMET MOUNT

hole size
min- 0.4 [10.16]
max- 3.875 [98.43]



Notes:

- Vertical Range - 17.5"
Horizontal Range - 12"
Monitor Tilt - 200 degrees
Monitor Pivot - landscape to portrait
Monitor Compatibility - VESA 75 mm and 100 mm
Monitor Weight - up to 25 lbs per monitor
- Monitor mount can be attached to desk through hole in desk (min dia +5") from underneath with included grommet mount or to edge of desk with included clamp mount

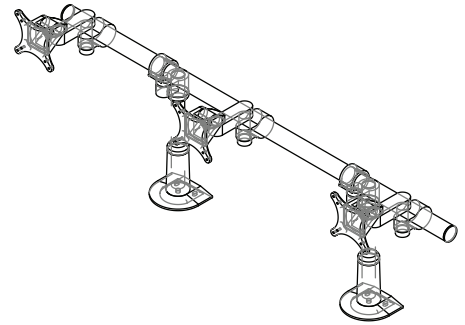
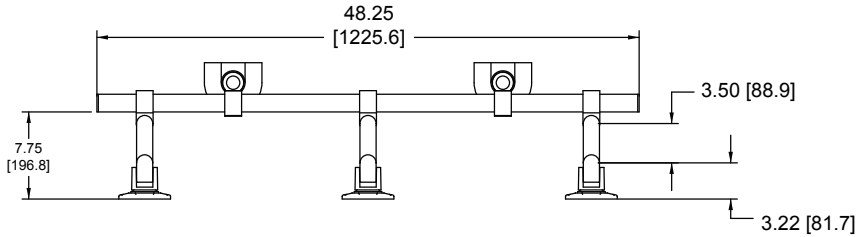


LD Series Monitor Mount, 3X1, 3 Across basic dimensions

All dimensions in inches [Bracketed dimensions in millimeters]

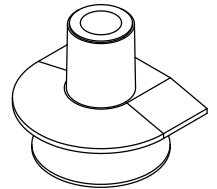
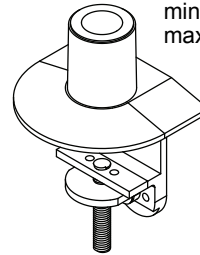
MMB3X1D

TOP VIEW



CLAMP MOUNT

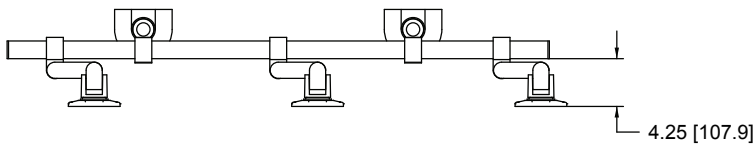
grip range
min- 0.0 [0]
max- 2.730 [69.34]



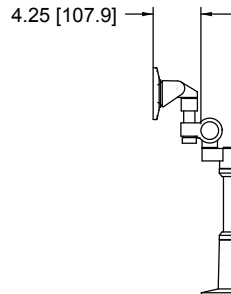
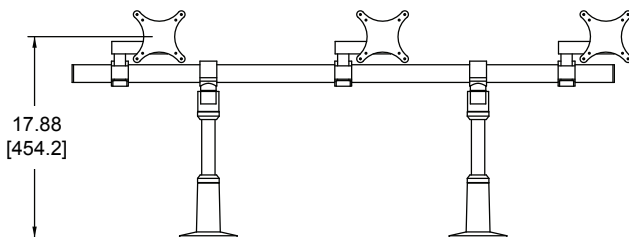
GROMMET MOUNT

hole size
min- 0.4 [10.16]
max- 3.875 [98.43]

TOP VIEW



FRONT VIEW



SIDE VIEW

Notes:

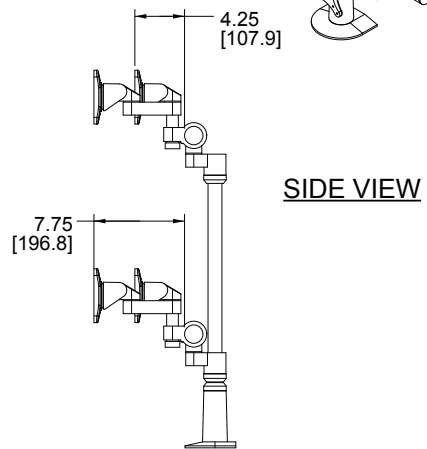
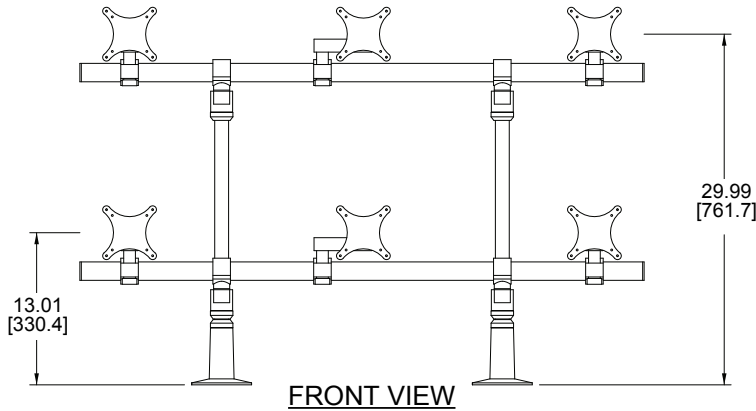
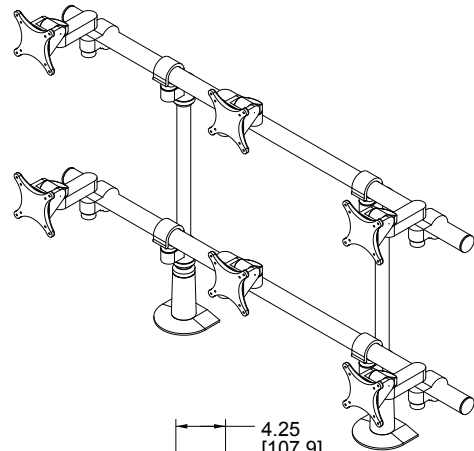
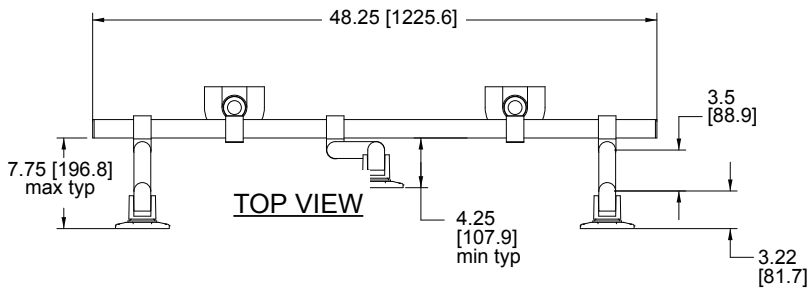
1. Monitor Tilt - 200 degrees
Monitor Pivot - landscape to portrait
Monitor Compatibility - VESA 75 mm and 100 mm
Monitor Weight - up to 30 lbs per monitor
Adjust monitor height in 1" [25.4mm] increments
2. Monitor mount can be attached to desk through hole in desk (min dia +5") from underneath with included grommet mount or to edge of desk with included clamp mount



LD Series Monitor Mount, 3X2, 3 Across, 2 Levels basic dimensions

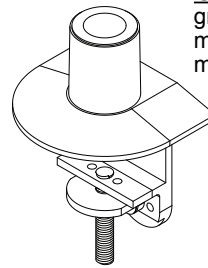
All dimensions in inches [Bracketed dimensions in millimeters]

MMB3X2D



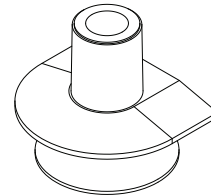
CLAMP MOUNT

grip range
min- 0.0 [0]
max- 2.730 [69.34]



GROMMET MOUNT

hole size
min- 0.4 [10.16]
max- 3.875 [98.43]



Notes:

1. Monitor Tilt - 200 degrees
Monitor Pivot - landscape to portrait
Monitor Compatibility - VESA 75 mm and 100 mm
Monitor Weight - up to 25 lbs per monitor
Adjust monitor height in 1" [25.4mm] increments
2. Monitor mount can be attached to desk through hole in desk (min dia +5") from underneath with included grommet mount or to edge of desk with included clamp mount

