

To obtain information on AMP NETCONNECT* products, call PRODUCT INFORMATION at the number at the bottom of this page, or visit the AMP NETCONNECT website at www.ampnetconnect.com.

Figure 1

1. INTRODUCTION (Figure 1)

This instruction sheet provides termination procedures for the SL Series 110Connect (Cat 3, Cat 5e, and Cat 6) modular jacks; the KL Series 110Connect (Cat 5e and Cat 6) modular jacks; and Secure SL Series 110Connect (Cat 6) modular jacks.

NOTE All dimensions are in millimeters [with inches in brackets]. Figures and illustrations are for reference only and are not drawn to scale.

Reasons for reissue of this sheet are provided in Section 4, REVISION SUMMARY.

2. DESCRIPTION

The jacks accept four pair, twisted-pair cable with 22 through 24 AWG solid conductors and 24 AWG stranded conductors. The maximum conductor insulation diameter is 1.45 mm [.057 in.].

AMP NETCONNECT logo is a trademark of TE Connectivity.

3. TERMINATION

1. Strip back only as much cable jacket as necessary to perform termination. See Figure 2.

NOTE Generally, a strip length of 50.8 mm [2.00 in.] maximum will meet the needs of most applications, depending on method of termination.

NOTE If using the optional bend-limiting strain relief, slide it over cable jacket as shown in Figure 2.

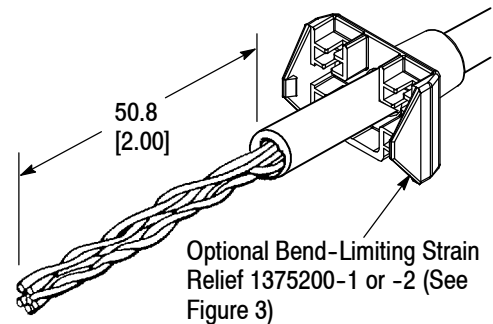


Figure 2

NOTE Keep wire pairs twisted to within 75 mm [3 in.] of termination for Cat 3 jacks, or 12.7 mm [.50 in.] for CAT 5e Jacks, or 6.0 mm [.24 in.] for CAT 6 Jacks.

2. Align and lace a color-coded wire pair with the appropriate slots as indicated by the color coding on the wiring label (use minimum slack while maintaining twist, as indicated in Figure 3).

NOTE Wire termination requires the use of Impact Tool 1583608-1 or SL Jack Termination Tool 1725150-1. Refer to 408-8858 for SL Jack Termination Tool instructions.

CAUTION Set impact setting for low-impact. Orient tool so cutoff blade is on outside of block and vertical.

3. Use tool to punch wires down into slot and cut off excess wire. Remove loose wire pieces.

4. Repeat Steps 2 and 3 with all wire pairs.

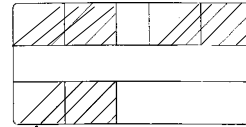
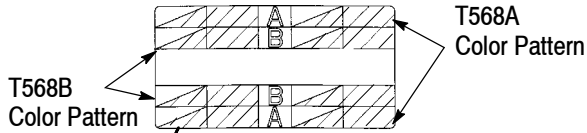
5. Slide bend-limiting strain relief (if used) onto jack. Latches on strain relief will engage tabs on rear of jack as indicated in Figure 3.

4. REVISION SUMMARY

- Updated document to incorporate requirements.

Four-Pair Color-Coded Universal Wiring Label

Three-Pair Color-Coded Wiring Label



Keep Wires Twisted to Within 12.7 mm [.50 in.] of Termination for CAT 5e Jacks or 6.0 mm [.24 in.] of Termination for CAT 6 Jacks

Keep Wires Twisted to Within 75 mm [3 in.] of Termination for CAT 3 Jacks

Wires Cut Off

Wires Cut Off

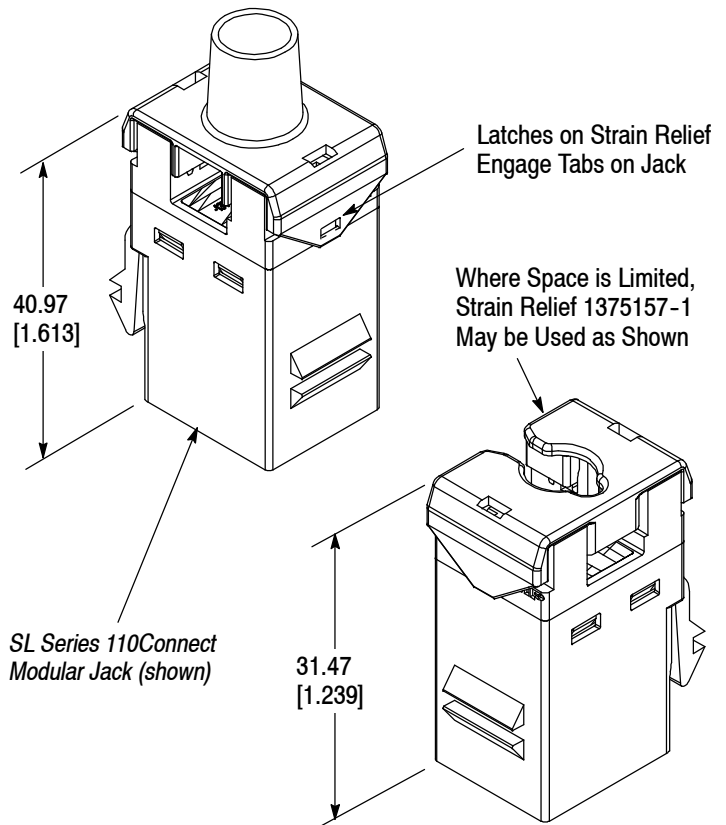
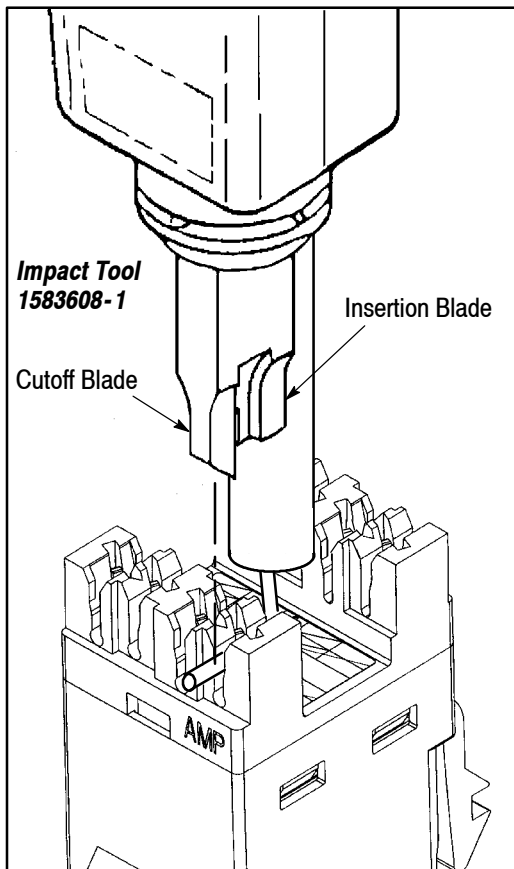


Figure 3