

SL SERIES INSERT OR JACK

DESCRIPTION	PART NUMBER ‡
"F" Insert (2 Ghz)	1499855-[]
ST Insert	1339123-[]
BNC Insert	1339124-[]
Blank Insert	1116412-[]
Unshielded Toolless Jack (Category 3)	1116603-[]
Unshielded Toolless Jack (Category 5e)	1116604-[]
Unshielded Toolless Jack with Dust Cover (Category 3)	1339188-[]
Unshielded Toolless Jack with Dust Cover (Category 5e)	1339189-[]
Shielded Toolless Jack (Category 5e)	1339015-[]

‡ Dash number indicates color of jack or insert.

Figure 1

1. INTRODUCTION

This instruction sheet covers the assembly and removal procedures for SL Series Duplex Strap Kits 1339120-[] (dash number indicates color of strap). The strap accepts four AMP NETCONNECT* SL Series jacks and/or inserts available separately. Refer to Figure 1 for descriptions and part numbers.

NOTE

Illustrations are not drawn to scale.



Reasons for reissue of this instruction sheet are provided in Section 5, REVISION SUMMARY.

To obtain information on AMP NETCONNECT products, call PRODUCT INFORMATION at the number at the bottom of this page or visit the AMP NETCONNECT website at www.ampnetconnect.com.

2. DESCRIPTION

Each duplex strap kit consists of a duplex strap and two No. 6 x.88-inch long mounting screws.

3. ASSEMBLY PROCEDURE

3.1. Jacks and Inserts

1. For jacks, terminate the jack according to the instructions packaged with the jack. Inserts do not require terminating.

AMP NETCONNECT logo is a trademark of TE Connectivity.

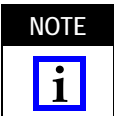
2. Align the terminated jack or insert with the back of the duplex strap. Insert the jack or insert at a slight angle with the stationary latch on the rail of the strap. Gently pivot the jack or insert until the movable latch engages onto the opposed rail and snaps into place. See Figure 2.
3. Repeat these steps as needed.
4. Install blank inserts into the strap where ports are not used.

3.2. Duplex Strap

1. Align the duplex strap mounting holes with the screw holes in the electrical box.
2. Install and tighten the supplied screws to secure the duplex strap to the electrical box.

4. REMOVAL PROCEDURE

1. Remove the two screws and the duplex strap from the electrical box.
2. To remove a jack or insert from the strap, insert a screwdriver tip over the movable latch and pry down slightly to release the latch. Pull the jack or insert out of the strap.



DO NOT re-use a jack or insert by removing the wires. DO NOT use damaged or defective products.

5. REVISION SUMMARY

Revisions to this instruction sheet include:

- Changed company name and logo
- Added AMP NETCONNECT logo and contact information
- Added part number and “4-port” to title of instruction sheet
- Replaced part number of “F” insert in, and removed obsolete MT-RJ optical fiber jack from Figure 1
- Added NOTE to Section 4

Tighten Duplex Strap to Electrical Box Using Mounting Screws

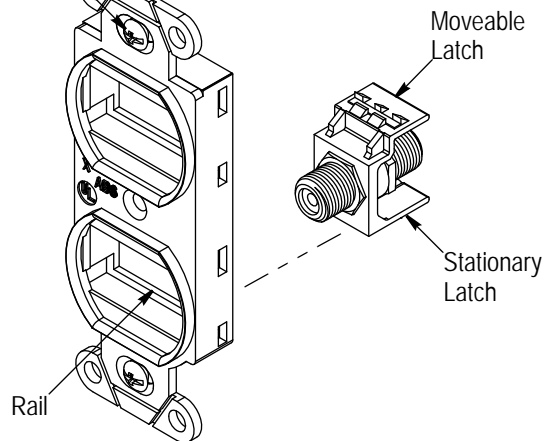


Figure 2