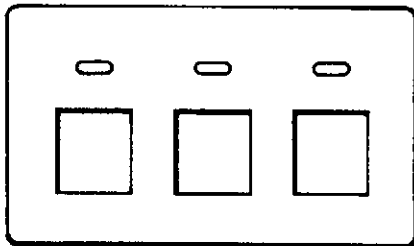


2 PORT



3 PORT

FACEPLATE KIT	
PART NUMBER	DESCRIPTION
558106	2 Port – Will accept any combination of unshielded, shielded, and grounded 110Connect Modular Jacks
558107	3 Port – Will accept any combination of 3 unshielded 110Connect Modular Jacks

Figure 1

93-223

## 1. INTRODUCTION

This instruction sheet provides assembly procedures for the faceplate kits listed in the chart in Figure 1.

## 2. DESCRIPTION

The FLEX-MODE faceplate kits include a faceplate, two spacer tubes, and one set of icons for identifying data or telephone receptacles.

## 3. INSTALLATION PROCEDURES

1. Remove panel knockouts from modular furniture.

2. Pull cables through panel opening. Terminate the 110Connect Modular Jacks according to Instruction Sheet 408-3278.

**NOTE** *The faceplates accept the 110 jacks with the keystone size face. They will NOT accept the discrete (DECT) version.*

3. Align movable latch with "TOP" marking molded onto inside of faceplate. Insert terminated jack, at a slight angle, into back of faceplate until latches snap into place (see Figure 2).

4. Insert appropriate icon.

5. Install faceplate into modular furniture according to Instruction Sheet 408-3314.

**NOTE** *To remove a modular jack, insert a screwdriver tip over the movable latch and pry down slightly to release the latch. Pull jack out back of panel.*

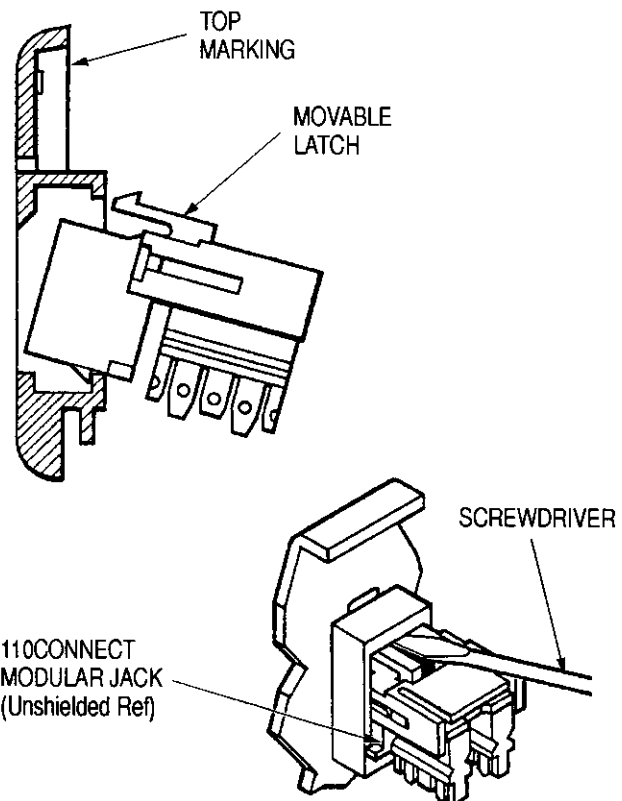


Figure 2

93-224