

**NOT FOR INTERRUPTING CURRENT**  
**NE PAS EMPLOYER POUR LA RUPTURE DU COURANT**

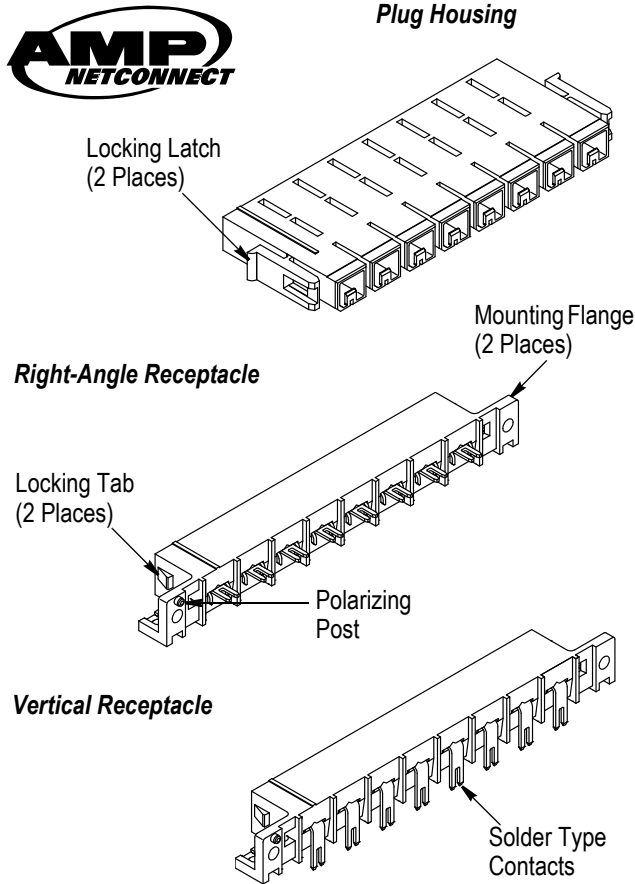
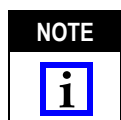


Figure 1

**1. INTRODUCTION**

AMPINNERGY WTB connectors consist of Plug Housings 556879-[ ], Right-Angle Receptacles 556882-[ ], and Vertical Receptacles 556881-[ ]. The plug housing accepts two sizes (18-16-14 and 12-10) of dual-beam contacts crimped onto stranded copper wire sizes 18 through 10 AWG. The receptacle contains pre-installed solder type contacts for printed circuit (pc) board application.

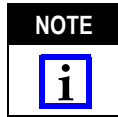
To obtain information on AMP NETCONNECT products, call PRODUCT INFORMATION at the number at the bottom of this page or visit the AMP NETCONNECT website at [www.ampnetconnect.com](http://www.ampnetconnect.com).



For detailed application requirements, refer to Application Specification 114-6044.

AMP NETCONNECT logo is a trademark of TE Connectivity.

Read these instructions thoroughly before starting assembly.



Dimensions in this instruction sheet are in metric units [with U.S. customary units in brackets]. Figures are not drawn to scale.

Reasons for reissue of this instruction sheet are provided in Section 5, REVISION SUMMARY.

**2. DESCRIPTION** (See Figure 1)

The connectors feature mounting flanges for attaching to the pc board and panel. The connectors are polarized to provide error-free mating, and the locking features prevent the connectors from accidentally disengaging.

**3. INSTALLATION**

**3.1. Crimping Contact**

Refer to Figure 2 for wire size and dual-beam contact part numbers. Crimp each contact using the appropriate strip length and tooling according to Instruction Sheet 408-3198. The crimped contacts must meet inspection requirements according to 408-3198.

| WIRE SIZE RANGE (AWG) | CONTACT  |
|-----------------------|----------|
| 18-14                 | 556883-2 |
| 12-10                 | 556880-2 |

Figure 2

**3.2. Contact Insertion**

1. Align crimped contact with the appropriate contact cavity in the plug housing so that the top of the contact slides against the internal housing latch. Refer to Figure 3.
2. Insert the contact until it bottoms in the housing. Contact must latch under the edge of the internal housing latch.

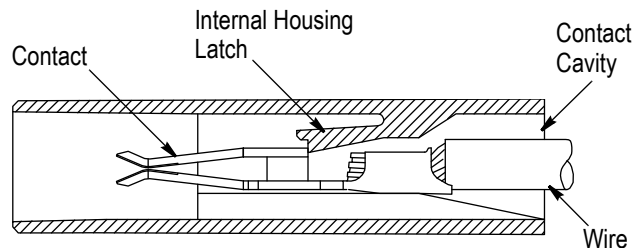


Figure 3

3. Pull back on wire to verify that the contact retains in housing.

### 3.3. Contact Removal

Use Extraction Tool 844751-2 (408-9685) or Extraction Tool 91308-1 (408-4507) for removing individual contacts from the plug housing. Refer to the instruction sheet (408-series) packaged with the tool for extraction procedures.

### 3.4. Mounting

#### A. PC Board (Refer to Figure 4)

1. Align the receptacle contact solder tines with the appropriate holes in the pc board, and seat the receptacle onto the pc board.

**NOTE**

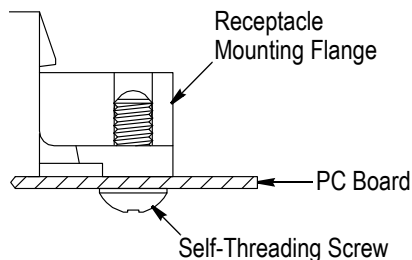


When placing vertical receptacles onto the pc board, use the polarizing post to properly orient the receptacle on the pc board.

2. Attach commercially available No. 6×3/16-in. self-threading screws (Detail A), or 4-40 screws, lockwashers and nuts (Detail B) to the receptacle mounting flanges and pc board. Tighten the screws using a maximum torque of 0.56 Nm [5 in.-lbs].

3. Solder the receptacle contact solder tines to the board according to approved practices.

**Detail A**



**Detail B**

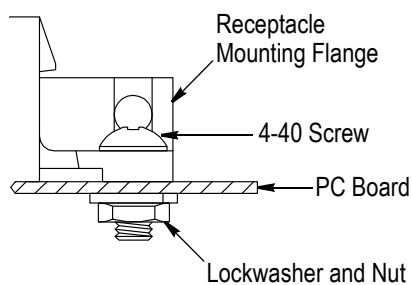


Figure 4

#### B. Panel (Figure 5)

After the receptacle is secured to the pc board, the receptacle can be mounted to the panel as follows:

1. Slide the receptacle into the back of the panel opening.

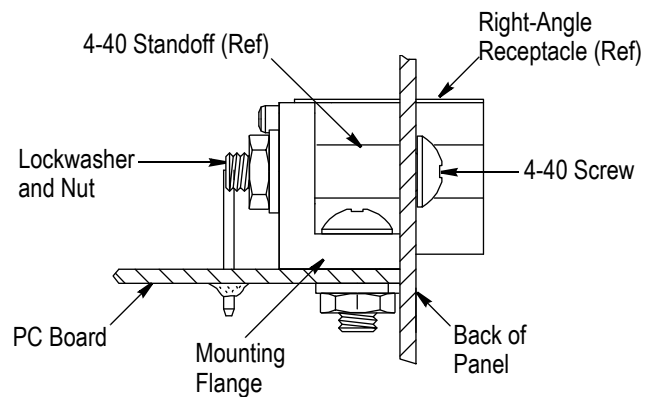


Figure 5

2. Install commercially available 4-40 standoffs (6.35-mm [.250-in.] long), 4-40 screws, lockwashers, and nuts to the receptacle mounting flanges and panel. Tighten the screws.

### 3.5. Mating

1. Insert the plug housing straight into the receptacle until the plug integral locking latches are fully seated and latched to the receptacle locking tabs.

2. When disengaging connectors, lift the plug locking latches away from the receptacle locking tabs, and gripping the sides of the plug housing, pull straight away from the receptacle. If it is necessary to rock the plug housing to start disengagement, use a side-to-side motion and not an end-to-end motion which could bend or stress the contacts.



Do not confine or pull wires during removal, otherwise damage to the wires or contacts could result.

### 3.6. Strain Relief

When bending or forming wires, hold the wire bundle at least 6.35 mm [.250 in.] beyond the back of the housing before bending in any direction. If the installation is to be subject to bending forces, provide strain relief on the wire bundle approximately 25.4 mm [1.0 in.] from the back of the housing.



Do not bend unsupported wires as this may cause strain on the contacts inside the housing.

## 4. REPLACEMENT AND REPAIR

DO NOT use defective or damaged product. DO NOT re-use contacts by removing the wire.

## 5. REVISION SUMMARY

- Changed company name and logo
- Added AMP NETCONNECT and Section 4