



To obtain information on AMP NETCONNECT products, call PRODUCT INFORMATION at the number at the bottom of this page, or visit the AMP NETCONNECT website at [www.ampnetconnect.com](http://www.ampnetconnect.com)



*Dimensions in this instruction sheet are in millimeters [with inches in brackets]. Figures are not drawn to scale*

Reasons for reissue of this instruction sheet are provided in Section 4, REVISION SUMMARY.

**1. INTRODUCTION**

This instruction sheet provides installation procedures for the Flush Wall Transition Frame Kit 553739-2. The kit includes a frame and two support brackets.

**2. INSTALLATION PROCEDURES**

1. Mark wall where bottom of transition frame is desired. See Figure 1.
2. Position bottom of frame at wall marking. Level frame with floor. Mark frame opening.

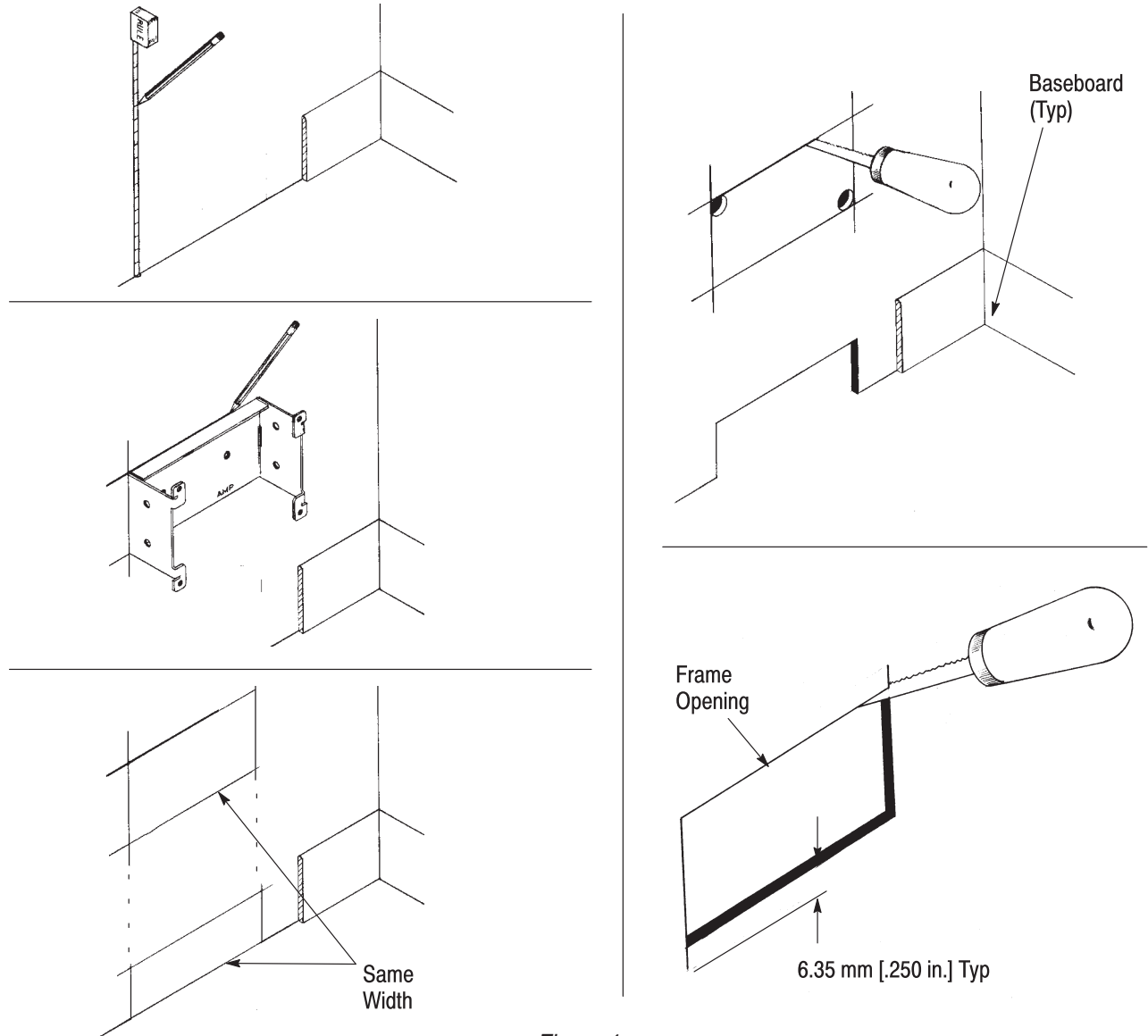


Figure 1

3. Mark wire outlet hole directly below frame opening. Wire outlet hole should not extend above baseboard.
4. Bore holes and use drywall saw to cut out frame opening. Cut out wire outlet hole in same manner.
5. Make special cuts to facilitate installation of frame support brackets.

6. Position frame into opening. Slide brackets between wall and frame (long end toward special cut). See Figure 2.

### 3. ALTERNATE MOUNTING

Refer to Figure 3 for alternate mounting options.

#### NOTE

*Flush Wall Frame Cover 553095 must be ordered separately.*

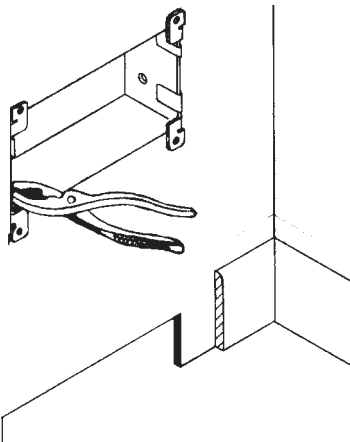
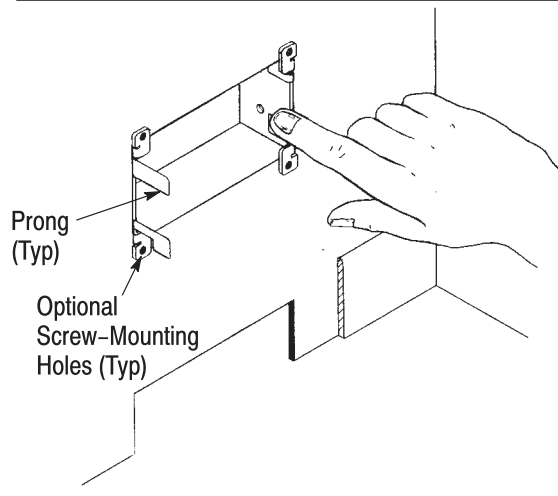
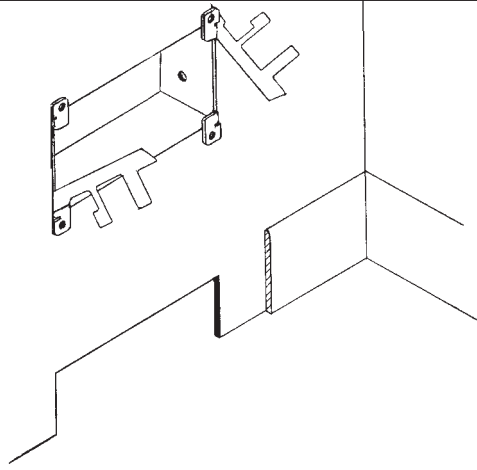
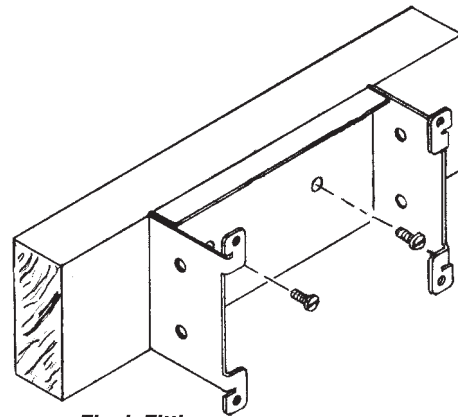
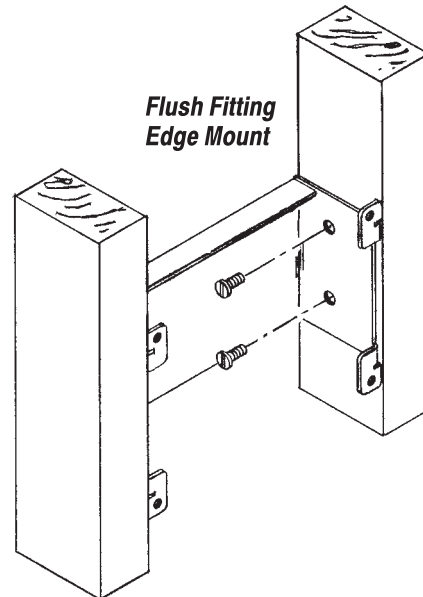


Figure 2



Flush Fitting  
Back Mount



Flush Fitting  
Edge Mount

Figure 3

### 4. REVISION SUMMARY

Since the previous release, the following changes were made:

- Added NOTE after Section 3
- Added callout to Figure 1
- Updated format to current corporate requirements