



Single Gang 4-Port
Faceplate Kits Shown

Double Gang 12-Port
Faceplate Kit Shown

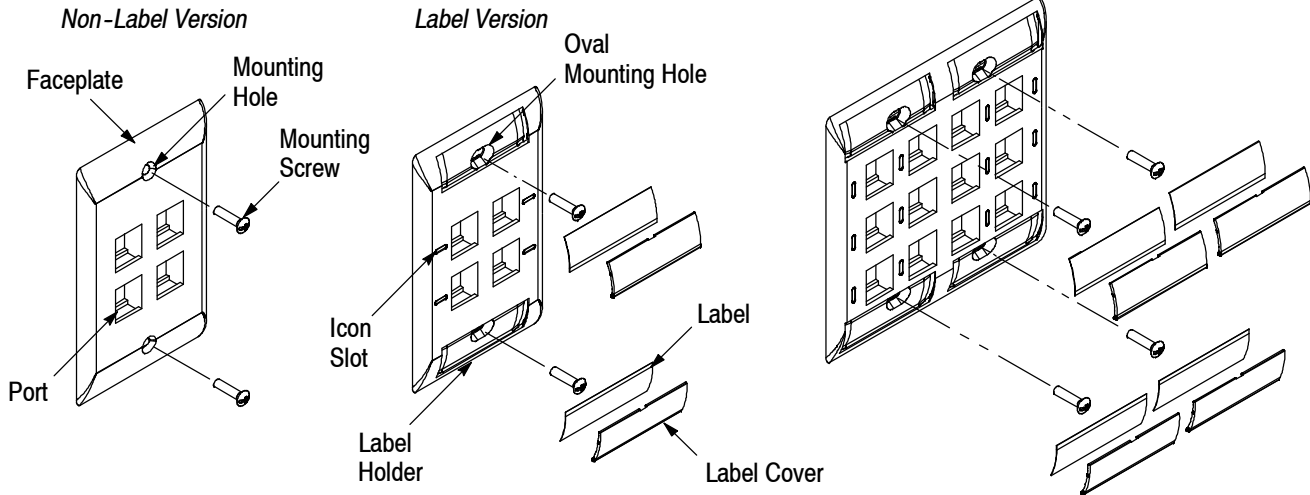


Figure 1

1. INTRODUCTION

This instruction sheet covers single gang and double gang faceplate kits. Reference part numbers 2111024-[], 2111011-[], and 2111015-[] are shown in Figure 1. The dash number indicates the color of the faceplate.

The faceplates accept various combinations of modular jacks, SL Series copper and fiber optic multimedia inserts, and MT-RJ outlet jacks. The faceplates are designed to fit standard single gang or double gang NEMA electrical boxes.

NOTE



It is strongly recommended that a 89-mm [3.5-in.] deep electrical box be used for adequate bend radius, especially when using Category 6 or higher cable.

Faceplate Extender Kit 2111201-[] (dash number indicates color) is available for single gang faceplates to add 12.7 mm [.50 in.] in depth to the faceplate for cable dress.

To obtain information on AMP NETCONNECT products, call PRODUCT INFORMATION at the number at the bottom of this page, or visit the AMP NETCONNECT website at www.ampnetconnect.com.

AMP NETCONNECT logo is a trademark.

NEMA is a trademark of National Electrical Manufacturers Association Corporation.

2. DESCRIPTION

The faceplate kit consists of a faceplate and mounting screws. The double gang faceplate kit includes labels for outlet identification. The single gang faceplate is available with or without labels. Label version faceplates feature label holders, label covers, icon slots, and oval mounting holes. The icon slots accept standard icons for port identification.

NOTE



Icon Wheel 1375092-[] is available separately (dash number indicates icon color).

3. ASSEMBLY

3.1. Install Modular Jack and Multimedia Insert

Terminate the modular jacks or inserts according to the instructions packaged with the modular jack or insert, then proceed as follows:

1. From the back of the faceplate, rest the non-deflecting latch of the modular jack or insert on the bottom of the port opening. The deflecting latch should be facing up according to the "UP" designator marked on the back of the faceplate. Refer to Figure 2.

2. Pivot the modular jack or insert forward until the deflecting latch engages the off-set rail of the port and snaps into place.

3. Repeat these steps for the remaining modular modular jacks and inserts.

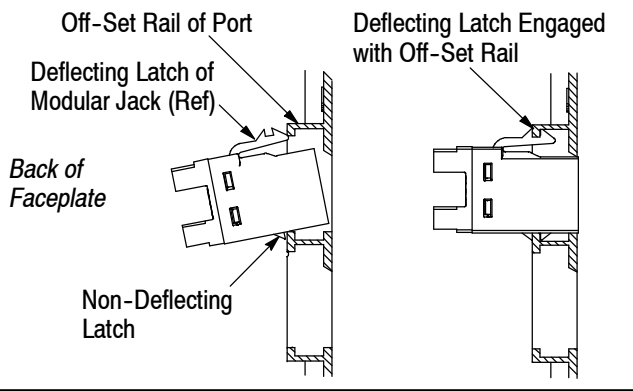


Figure 2

4. If desired, insert icons into the icon slots of the faceplate.

3.2. Mount the Faceplate

1. If using the faceplate extender, install it onto the faceplate according to the instructions included with the faceplate extender.
2. Align the mounting holes of the faceplate (or faceplate extender) with the screw holes of the electrical box. Orient the faceplate so that the “UP” designator marked on the back of the faceplate is up. For label version faceplates, adjust the faceplate (within the mounting holes) so that it is level.
3. Install, and tighten, the mounting screws to secure the faceplate to the electrical box.

3.3. Install the Label and Label Cover

1. Mark the label or apply an identification sticker to the label.
2. Insert one post of the label cover into a bottom corner of the label holder. Ensure that the post is under the tab. Refer to Figure 3.

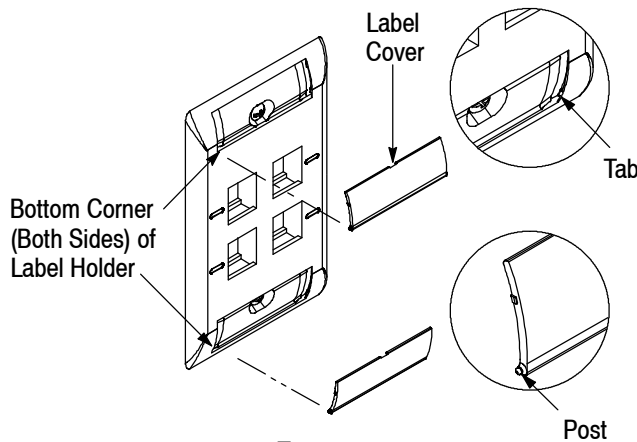


Figure 3

3. While applying slight pressure to the inserted corner of the label cover, flex the label cover and insert the other post into the opposite bottom corner of the label holder. Ensure that the post is inserted *under* the tab—sliding it down over the tab could break the post. The label covers are designed to flip down.

4. Insert the label into the label holder.
5. Close the label cover until it snaps securely into the closed position.

4. REMOVAL

4.1. Label

1. Insert the tip of a small-blade screwdriver into the removal slot of the label cover, and rotate it until the label cover opens. See Figure 4, Detail A.
2. Remove or replace the label.
3. Close the label cover until it snaps securely into the closed position.

4.2. Label Cover

Open the label cover, apply pressure to opposing ends of the label cover so that it flexes in a slight concave shape, then pull it straight away from the label holder. Avoid sliding the posts over the tabs.

4.3. Modular Jack and Multimedia Insert

1. Insert the tip of a small-blade screwdriver over the deflecting latch of the modular jack or insert, and rotate it slightly to release the deflecting latch. Refer to Figure 4, Detail B.
2. Pull the modular jack or insert out of the back of the faceplate.

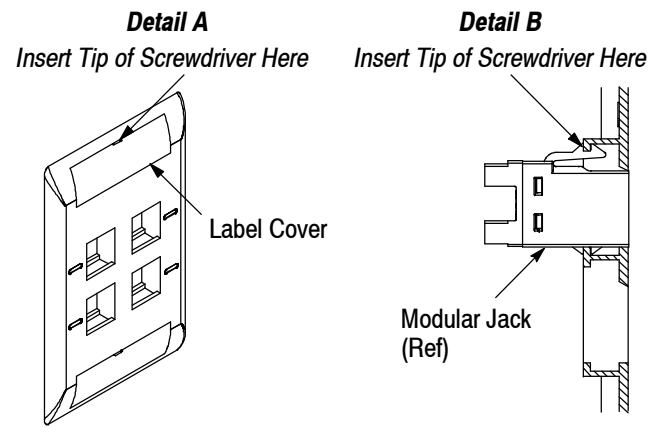


Figure 4

5. REPLACEMENT

DO NOT use defective or damaged faceplates.

6. REVISION SUMMARY

- Initial release of instruction sheet