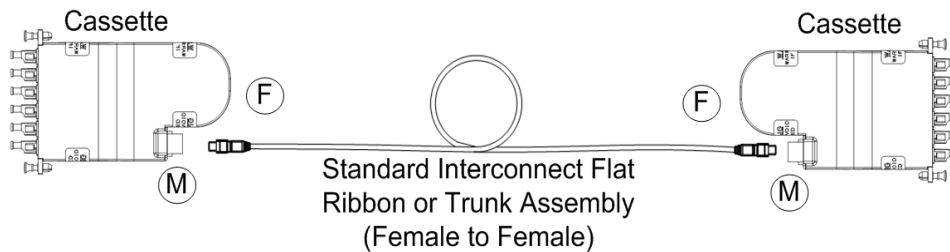


Standard Gender For QUICKNET™ Pre-Terminated MTP* Components

- Fiber Optic Cassettes: Male MTP* Connector (pins)
- Hybrid Trunk Cable Assemblies: Female MTP* Connectors (no pins)
- Interconnect Cable Assemblies (Flat Ribbon): Female MTP* Connectors (no pins)
- Hydra Cable Assemblies: Male MTP* Connectors (pins)

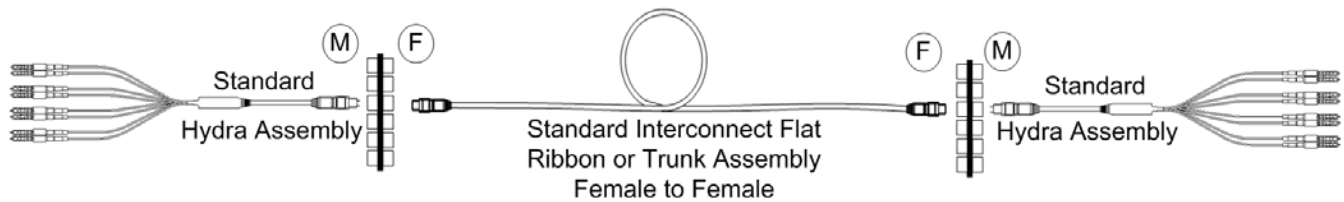
QUICKNET™ MTP* Solutions Showing Correct Gender

Cassette Based System



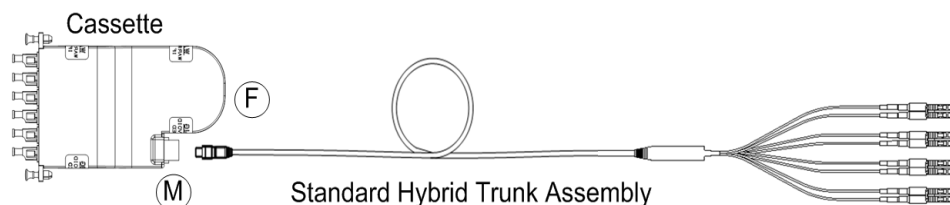
Note: An A-A patch cord and an A-B patch cord is necessary on one side of the link to ensure correct polarity. (See **Patch Cord Options** at end of TR)

Hydra Based System



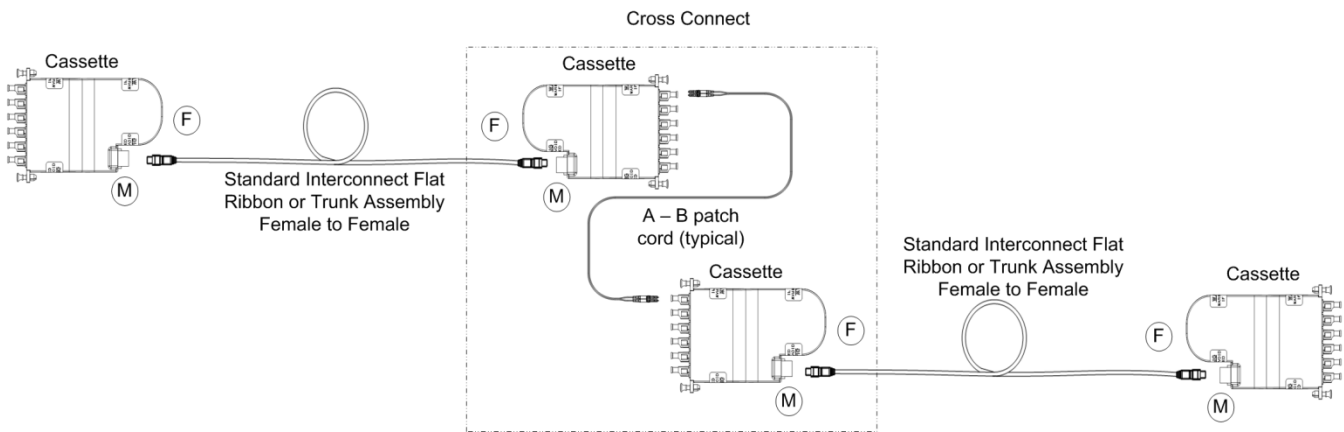
Note: This system will need a pair flipped hydra assembly on one side to ensure correct polarity.

Cassette to Hybrid Trunk System



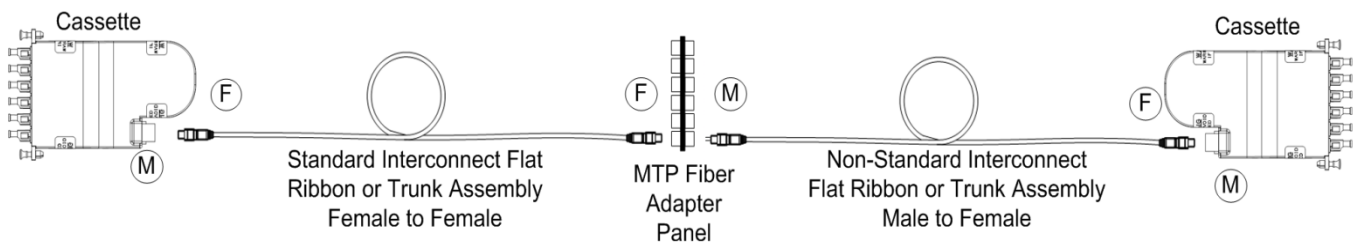
Note: An A-B patch cord should be used on cassette side of system to ensure correct polarity.

Cassette Based System with a Cross Connect



Note: A-B patch cords should be used on both sides of the link to ensure correct polarity

Link Extension for Cassette Based System



Note: An A-A patch cord is necessary on one side of the link to ensure correct polarity

Patch Cord Options

A-B Patch cord

This is the standard patch cord offered by Panduit. The A/B denotes duplex clip positioning.



A-A Patch cord

This is a non-standard (flipped) patch cord offered by Panduit.



*MTP is a registered trademark of US Conec Ltd.