



# Keystone Phone Plate Kit

## Screw-On Single Position Faceplate

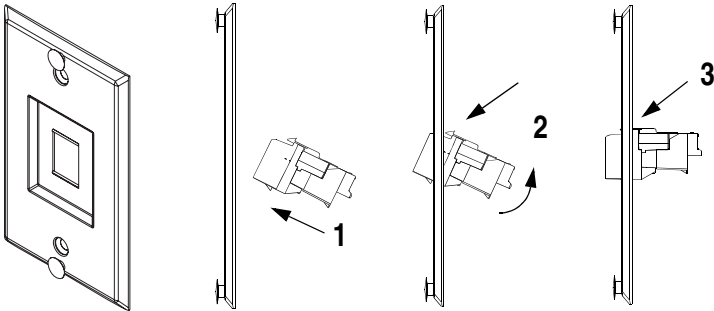
with module included

Part Numbers: KWP3Y, KWP5Y, KWP5EY, KWP6PY

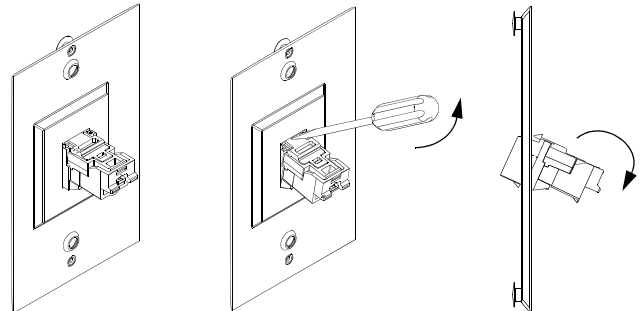
© Panduit Corp. 2008

### INSTALLATION INSTRUCTIONS PN192D

## 1. INSTALLATION



## 2. REMOVAL



For Instructions in Local Languages  
and Technical Support:

[www.panduit.com/resources/install\\_maintain.asp](http://www.panduit.com/resources/install_maintain.asp)



[www.panduit.com](http://www.panduit.com)

E-mail:  
[cs@panduit.com](mailto:cs@panduit.com)

Fax:  
(708) 444-6993