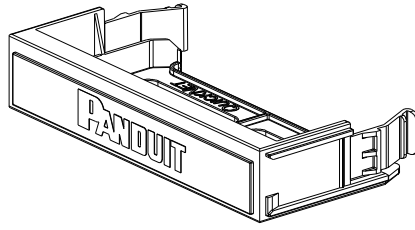
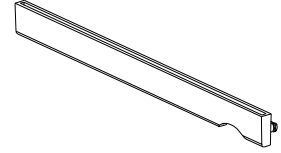


Adapter
(QPPABL)

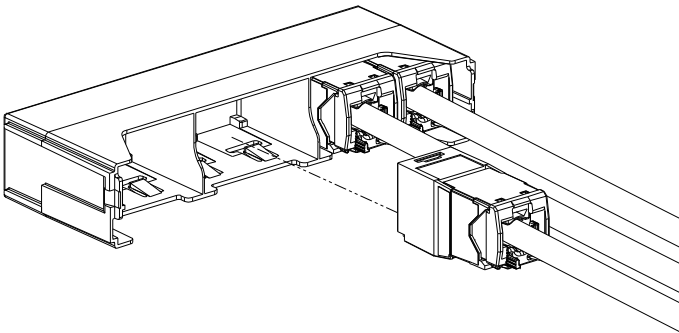


Blank
(QPPBBL)

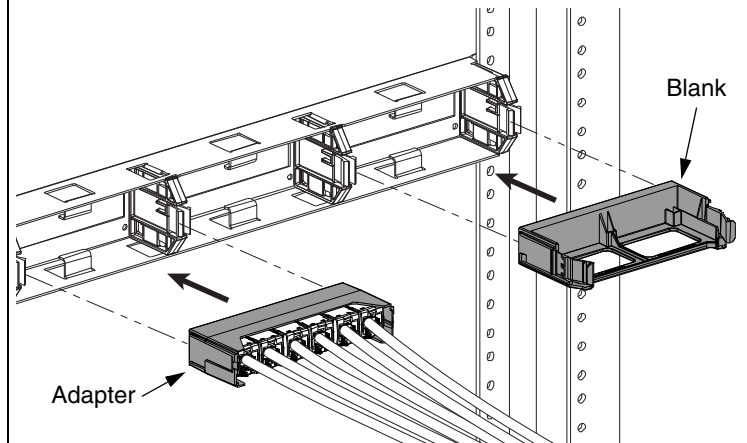


Label Holder
(QPPLC24)

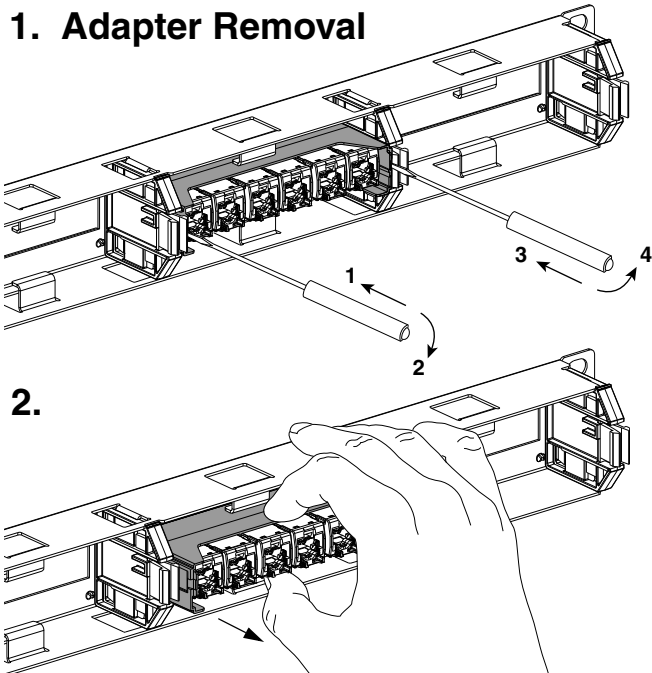
1. Mini-Com Multi-Media Installation



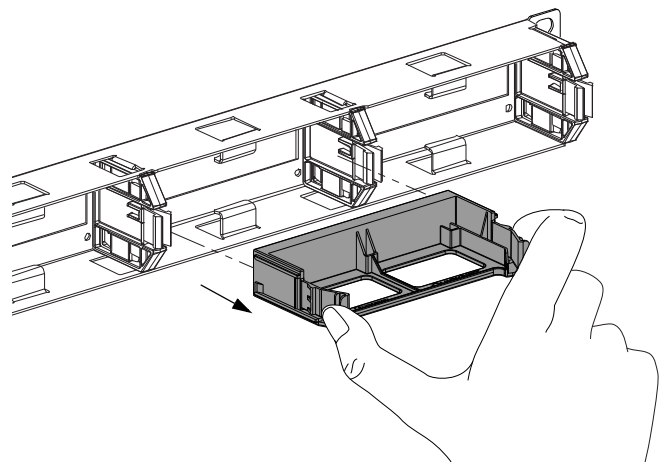
2. Adapter / Blank Installation (Rear View)



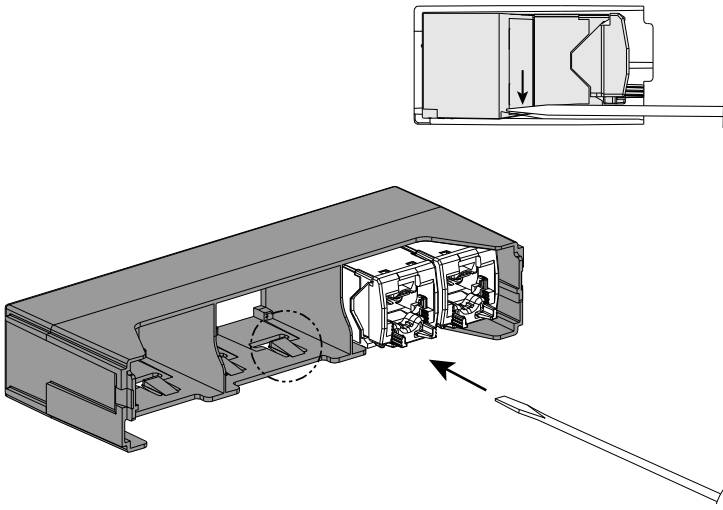
1. Adapter Removal



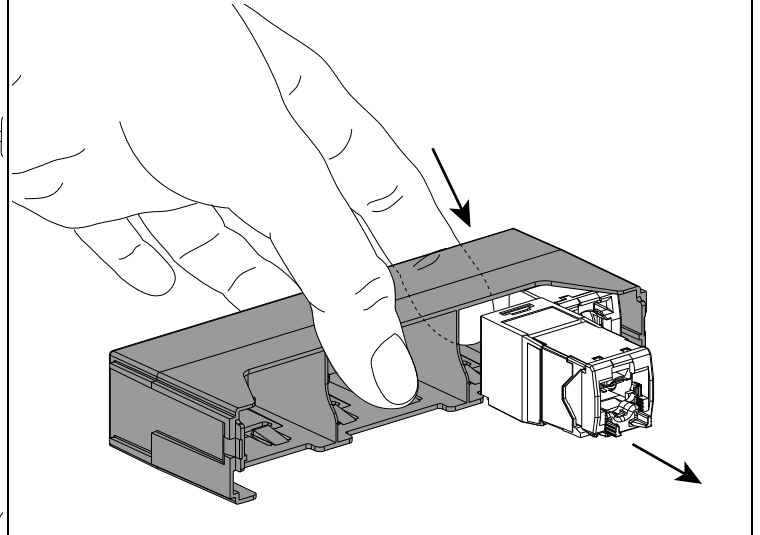
1. Blank Removal



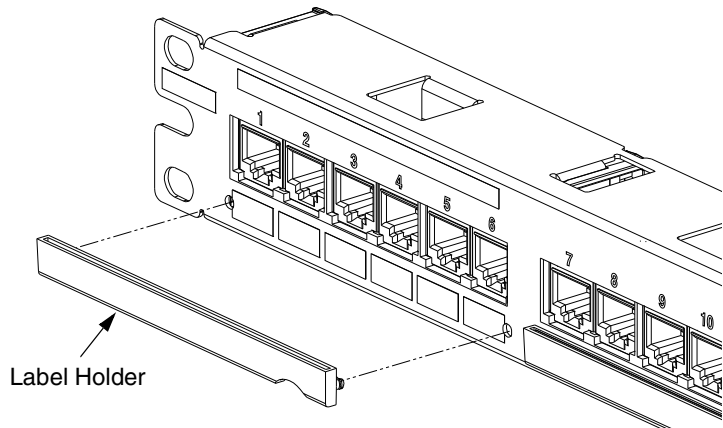
1. Mini-Com Multi-Media Removal



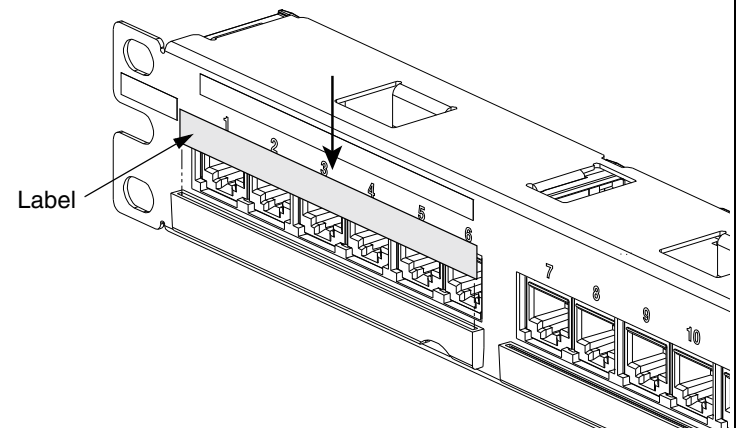
2.



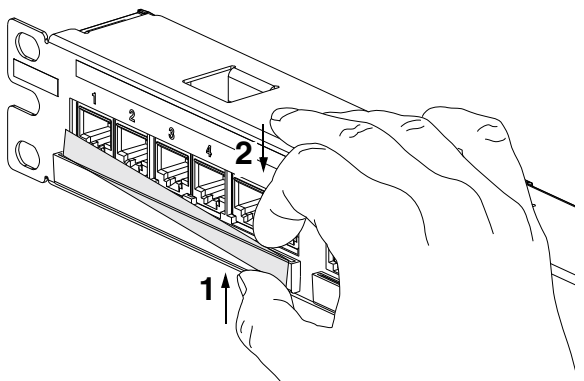
1. Label Holder / Label Installation



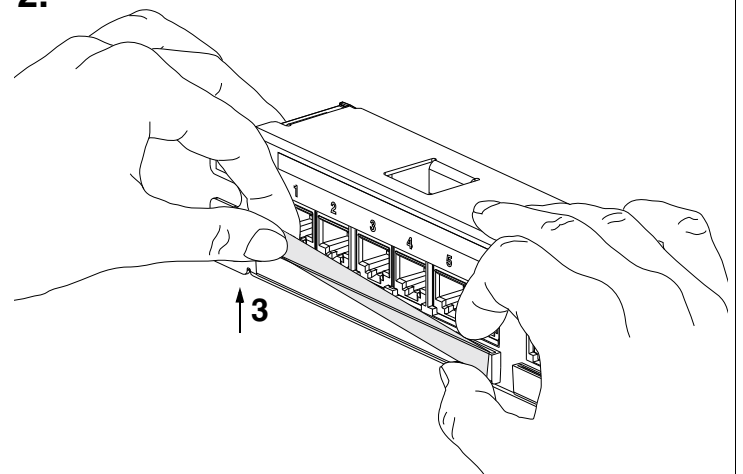
2.



1. Label Removal



2.



For Instructions in Local Languages
and Technical Support:
www.panduit.com/resources/install_maintain.asp

PANDUIT
www.panduit.com

E-mail:
techsupport@panduit.com
Phone:
866-405-6654