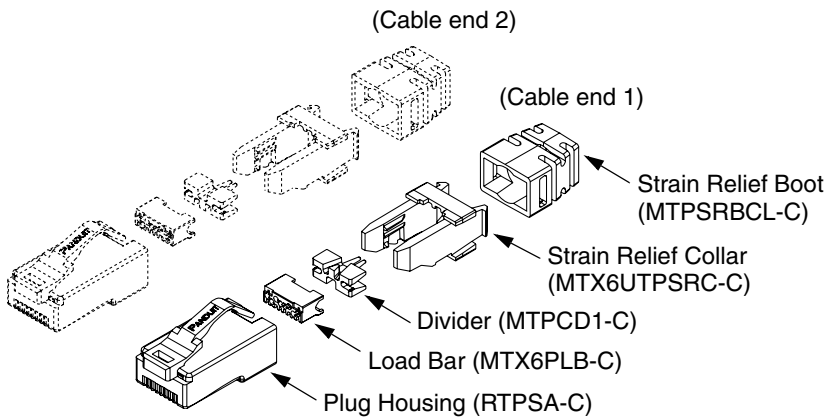




## T568B Wiring Scheme



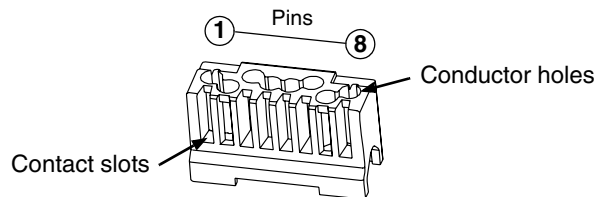
Pin #	8	7	6	5	4	3	2	1
T568B	BRN	BRN/ WHT	GRN	BLU/ WHT	BLU	GRN/ WHT	ORG	ORG/ WHT

### Specifications

- Cable jacket diameter .225-.250 in.
- 24 AWG stranded or solid conductor maximum insulated diameter .041 in.
- Panduit recommends T568B wiring scheme for use with cable constructed with the brown pair opposing the orange pair.

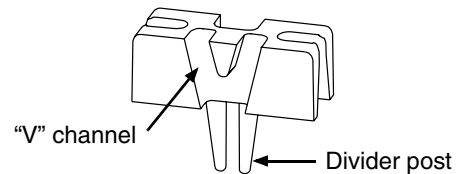
#### Load Bar

Conductor holes and Contact slots

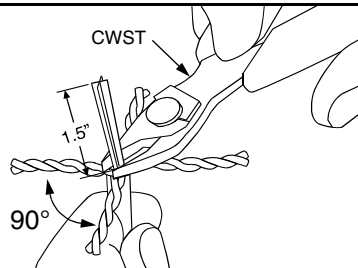
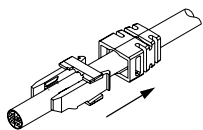


#### Divider

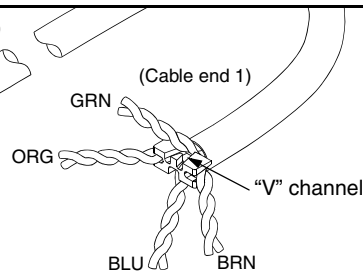
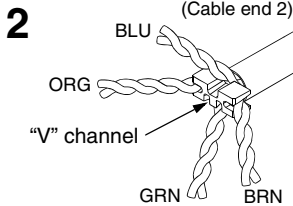
Conductor slots and "V" channel



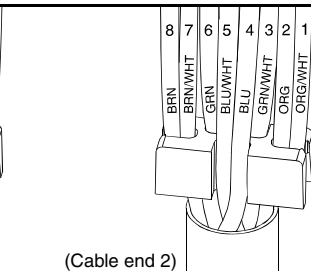
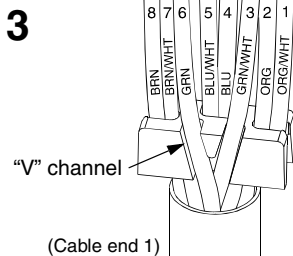
- 1** Thread on Boot and Collar first!  
(Cable ends 1 & 2)



- ◆ First thread on the Boot and Collar.
- ◆ Remove 1.5" of the outer jacket from the cable end using wire stripping tool (CJAST).
- ◆ Fan twisted pairs into respective quadrants. The brown pair should be opposite the orange pair.
- ◆ When a cable spline (X-shaped filler) is present, cut spline flush to fanned pairs using wire snipping tool (CWST).

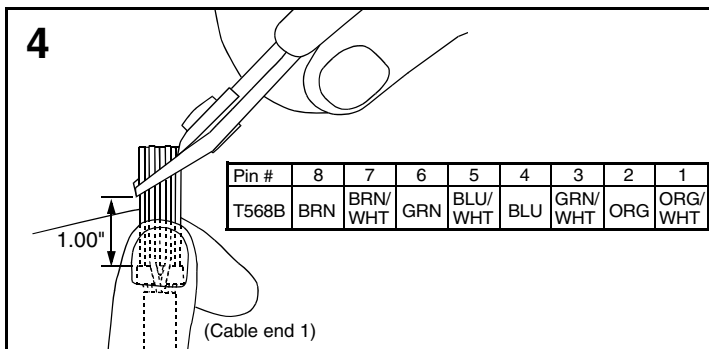


- ◆ The "V" channel should be aligned with the green pair.
- ◆ Insert divider posts into the cable. If the cable has an internal spline, insert divider posts into the brown and orange quadrants of the spline.

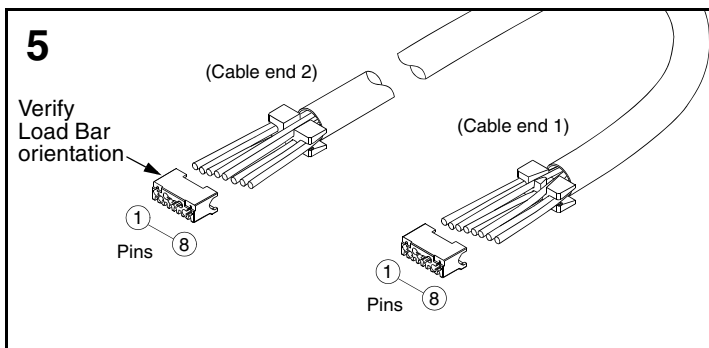


- ◆ Arrange conductors to T568B wiring scheme while minimizing untwist and smooth conductors.
- ◆ Seat conductors into proper divider slots while holding Divider near the end of the cable jacket.

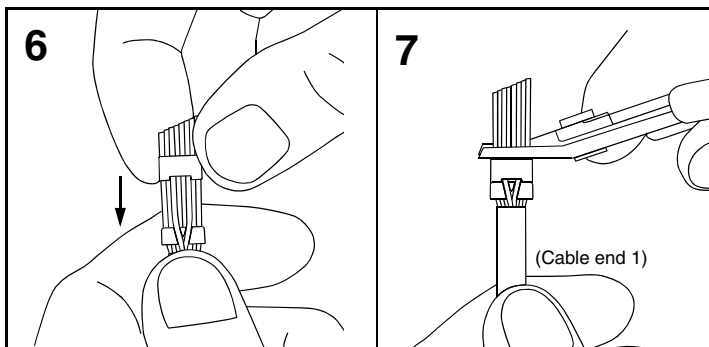
\* Denotes packaging quantity.



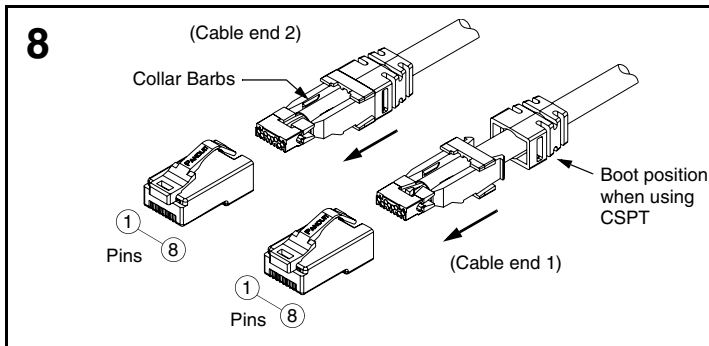
- ◆ While holding conductors in respective divider slots, straighten and align untwisted conductors using a circular motion.
- ◆ Do not release grip of conductors until Load Bar is applied in order to maintain conductor alignment.
- ◆ Trim conductors on an angle approximately 1.00" from divider leading edge.



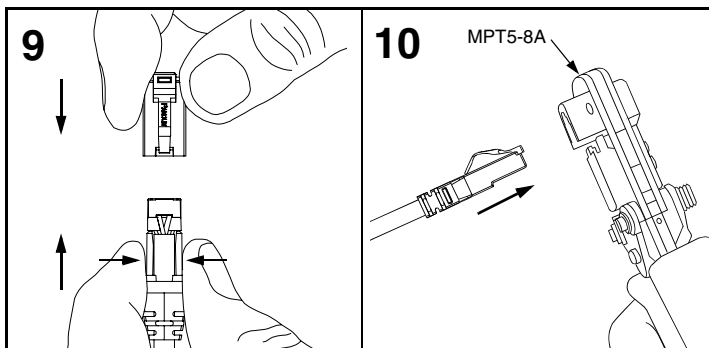
- ◆ Orient Load Bar with contact slots facing downward.



- ◆ Guide conductors into load bar holes while holding conductors in the Divider.
- ◆ Slide Load Bar towards Divider until flush.
- ◆ Ensure the Divider/Load Bar is centered and perpendicular to the cable axis.
- ◆ Trim conductors flush with load bar face.

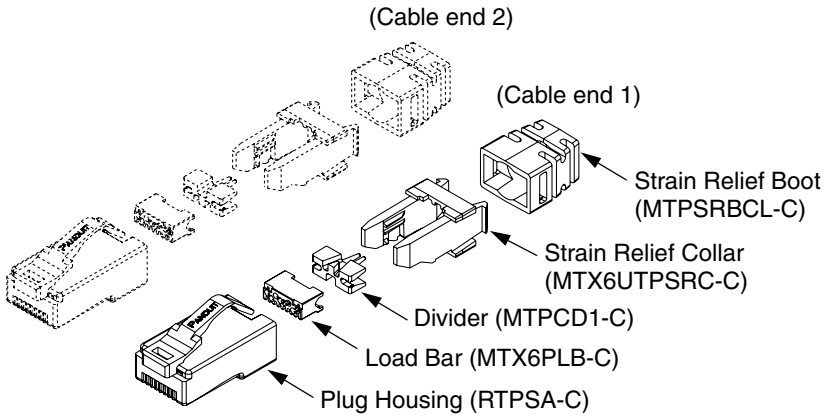


- ◆ While holding Load Bar and Divider stationary, slide Collar/Boot towards termination point until there is no gap between Collar and Divider. Do not exert pressure onto Divider, collar can push Load Bar off conductors.
- ◆ Confirm orientation of Collar. Cable jacket should extend beyond collar barbs.
- ◆ Align Pin #1 of cable sub-assembly (Cable, Load Bar, Divider, Collar with Boot) with Pin #1 of Plug Housing.



- ◆ Grip and squeeze across collar arms as sub-assembly is inserted into Plug Housing. (Fig. 9)
- ◆ Push sub-assembly into housing until collar locking tabs clear the plug housing pocket. Although not required, TX6 PLUS Plug Assembly Tool (CSPT) is available to facilitate this step.
- ◆ Use tool MPT5-8A to complete termination. (Fig. 10)
- ◆ Assembly is complete. Visually check plug.

# T568A Wiring Scheme



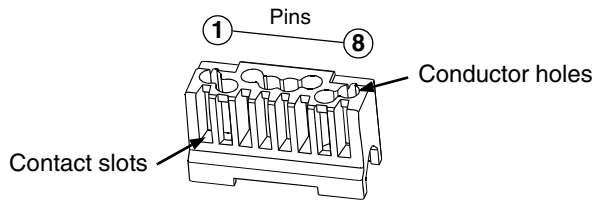
Pin #	8	7	6	5	4	3	2	1
T568A	BRN	BRN/WHT	ORG	BLU/WHT	BLU	ORG/WHT	GRN	GRN/WHT

## Specifications

- Cable jacket diameter .225-.250 in.
- 24 AWG stranded or solid conductor maximum insulated diameter .041 in.
- Panduit recommends T568A wiring scheme for use with cable constructed with the brown pair opposing the green pair.

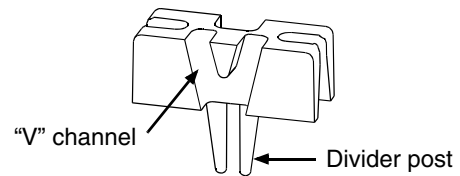
### Load Bar

Conductor holes and Contact slots

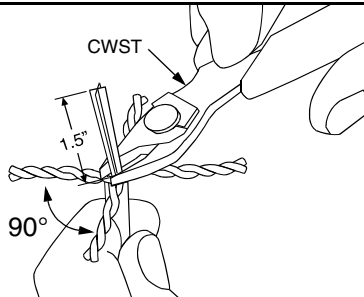
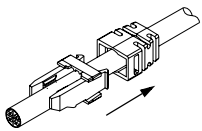


### Divider

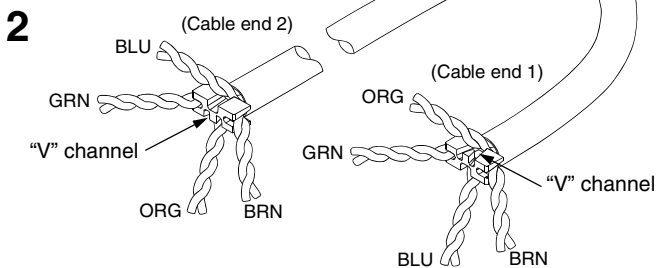
Conductor slots and "V" channel



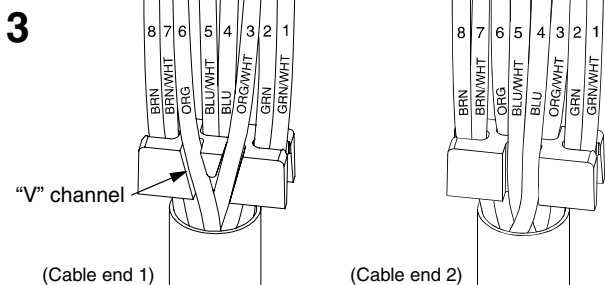
**1** Thread on Boot and Collar first!  
(Cable ends 1 & 2)



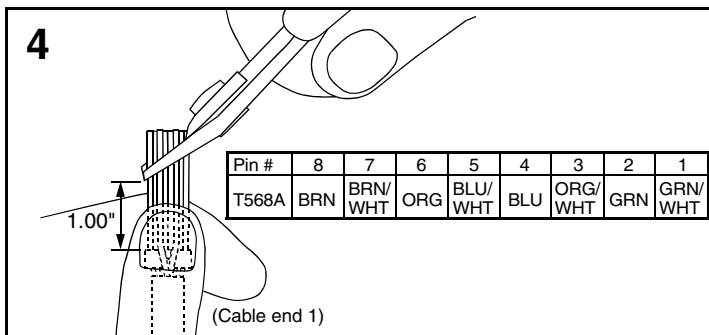
- ◆ First thread on the Boot and Collar.
- ◆ Remove 1.5" of the outer jacket from the cable end using wire stripping tool (CJAST).
- ◆ Fan twisted pairs into respective quadrants. The brown pair should be opposite the orange pair.
- ◆ When a cable spline (X-shaped filler) is present, cut spline flush to fanned pairs using wire snipping tool (CWST).



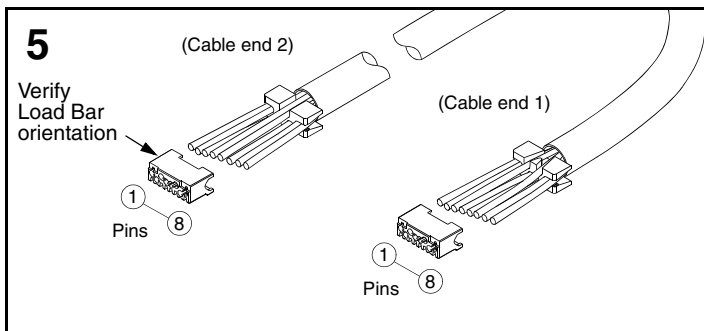
- ◆ The "V" channel should be aligned with the orange pair.
- ◆ Insert divider posts into the cable. If the cable has an internal spline, insert divider posts into the brown and green quadrants of the spline.



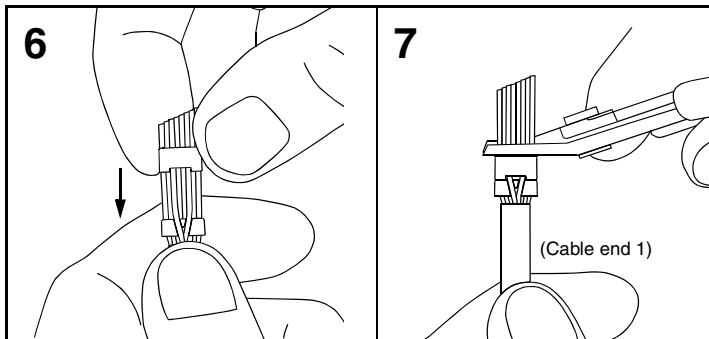
- ◆ Arrange conductors to T568A wiring scheme while minimizing untwist and smooth conductors.
- ◆ Seat conductors into proper divider slots while holding Divider near the end of the cable jacket.



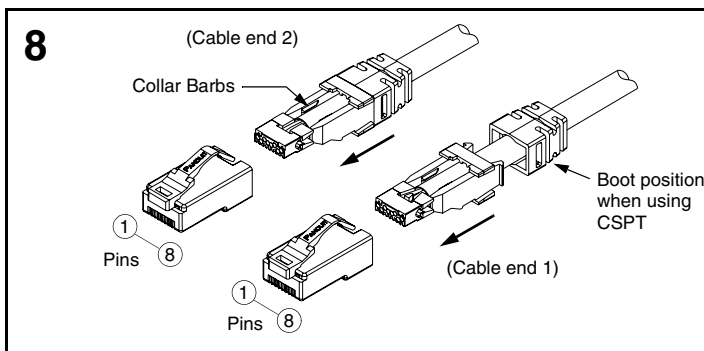
- ◆ While holding conductors in respective divider slots, straighten and align untwisted conductors using a circular motion.
- ◆ Do not release grip of conductors until Load Bar is applied in order to maintain conductor alignment.
- ◆ Trim conductors on an angle approximately 1.00" from divider leading edge.



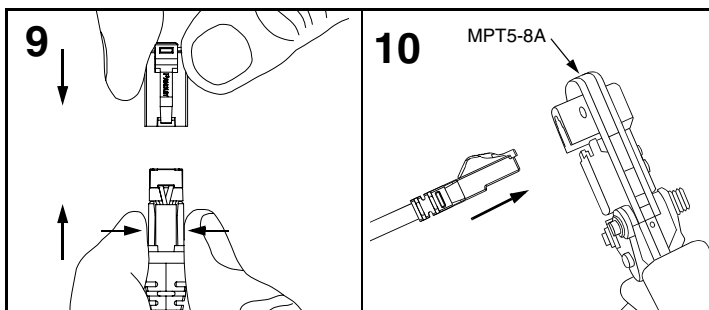
- ◆ Orient Load Bar with contact slots facing downward.



- ◆ Guide conductors into load bar holes while holding conductors in the Divider.
- ◆ Slide Load Bar towards Divider until flush.
- ◆ Ensure the Divider/Load Bar is centered and perpendicular to the cable axis.
- ◆ Trim conductors flush with load bar face.



- ◆ While holding Load Bar and Divider stationary, slide Collar/Boot towards termination point until there is no gap between Collar and Divider. Do not exert pressure onto Divider, collar can push Load Bar off conductors.
- ◆ Confirm orientation of Collar. Cable jacket should extend beyond collar barbs.
- ◆ Align Pin #1 of cable sub-assembly (Cable, Load Bar, Divider, Collar with Boot) with Pin #1 of Plug Housing.



- ◆ Grip and squeeze across collar arms as sub-assembly is inserted into Plug Housing. (Fig. 9)
- ◆ Push sub-assembly into housing until collar locking tabs clear the plug housing pocket. Although not required, TX6 PLUS Plug Assembly Tool (CSPT) is available to facilitate this step.
- ◆ Use tool MPT5-8A to complete termination. (Fig. 10)
- ◆ Assembly is complete. Visually check plug.

For Instructions in Local Languages and Technical Support:

[www.panduit.com/resources/install\\_maintain.asp](http://www.panduit.com/resources/install_maintain.asp)

**PANDUIT**

[www.panduit.com](http://www.panduit.com)

E-mail: [cs@panduit.com](mailto:cs@panduit.com)

Fax: (708) 444-6993