

TX6A 10Gig UTP Jack Modules

For use with TX6 10Gig Cable

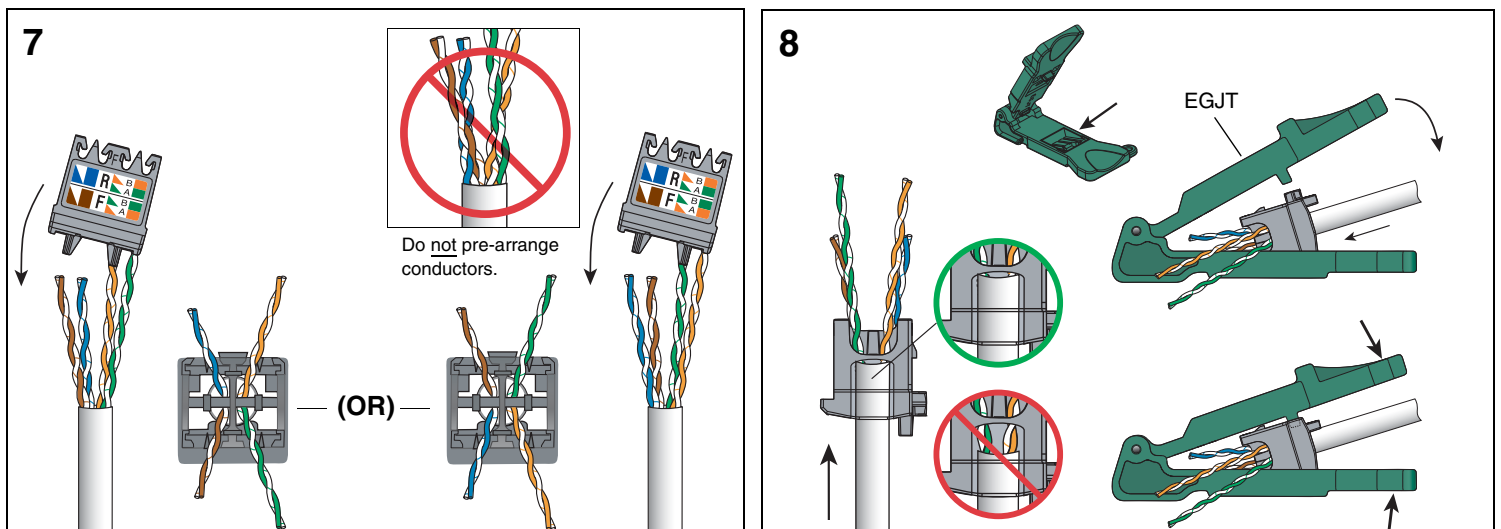
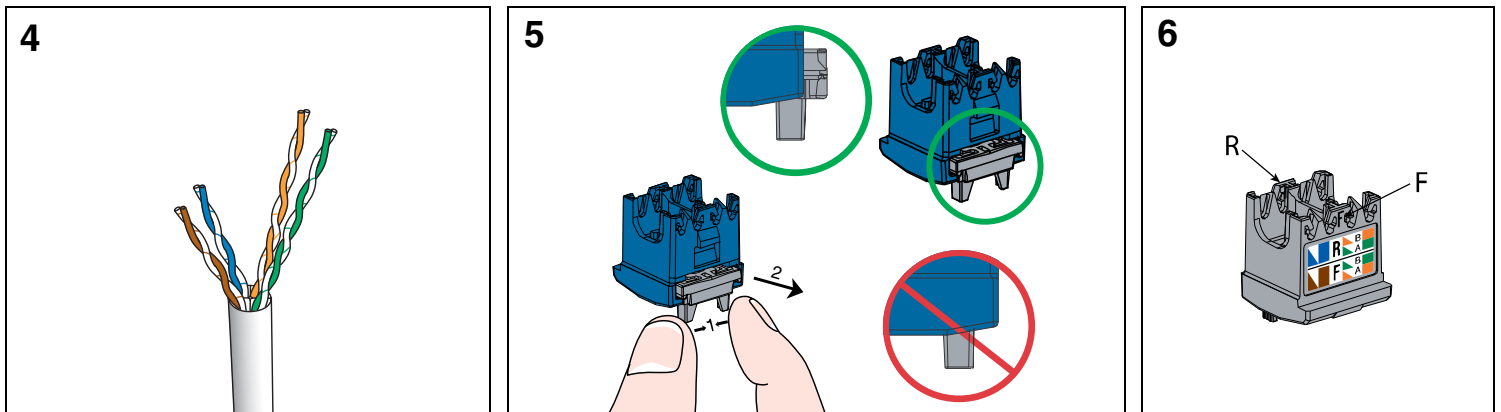
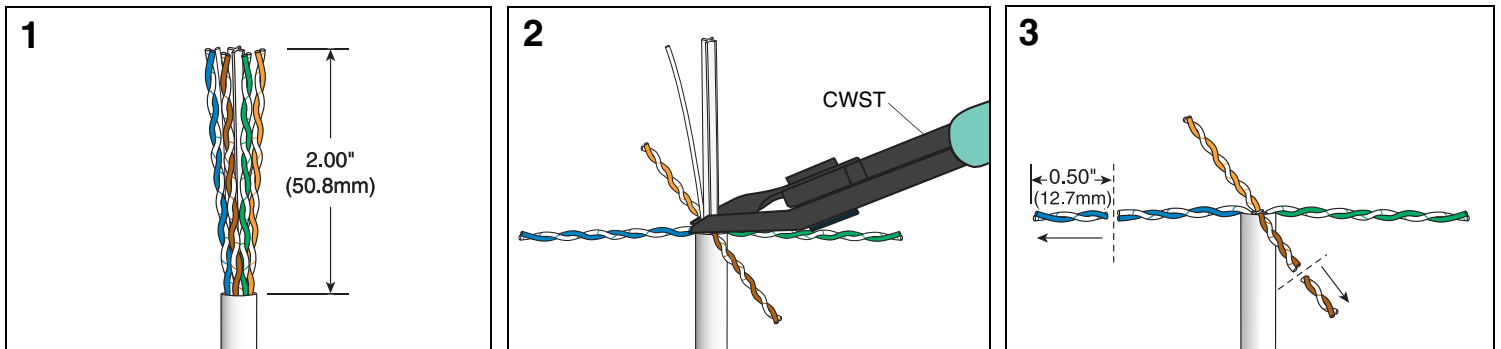
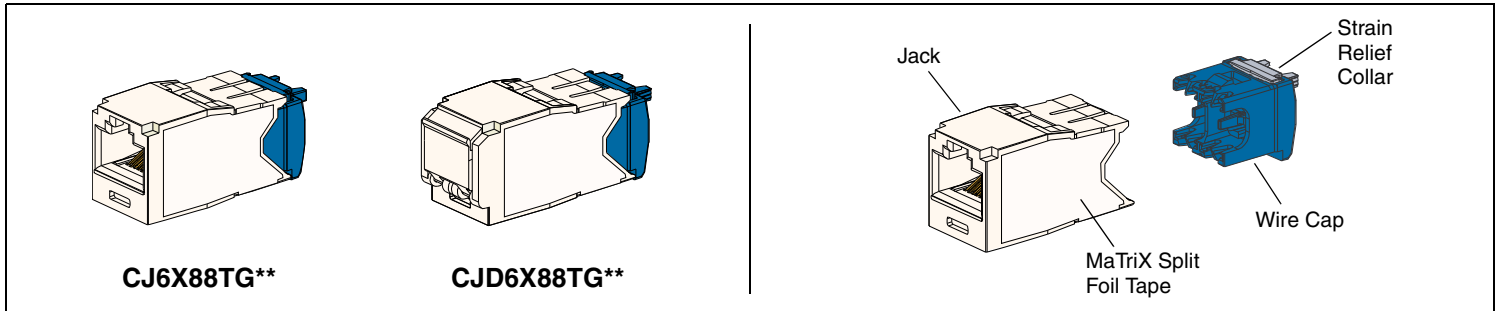
(If using TX6A 10Gig Cable with MaTriX Technology, reference PN511*)

Part Numbers: CJ6X88TG**, CJD6X88TG**, CJK6X88TG**, CJQ6X88TG**

© Panduit Corp. 2011

INSTALLATION INSTRUCTIONS

PN364M



* Denotes Instruction Sheet revision letter.

** Denotes color.

Note: For bulk packaged TG style jack modules, add -24 to end of part number.

For Technical Support: www.panduit.com/resources/install_maintain.asp

9 T568B Wiring

1. (OR)

1. 2.

9 T568A Wiring

1. (OR)

1. 2.

10

11

12

REMOVAL STEPS

1

2

3

Notes:

1. For specified performance, follow TIA/EIA 568-C installation guidelines.
2. Jack Modules can terminate 22-26 AWG solid or stranded IWC data cable with 0.062" (1.57mm) maximum insulated conductor outside diameter.
3. Jack Modules may be re-terminated a minimum of 20 times.
4. For technical and performance information, consult Panduit Technical Support.

As with all Wiring Accessories, the following statements apply:

1. Never install communications wiring during a lightning storm.
2. Never install communications wiring in wet locations unless the jack is specifically designed for use in wet locations.
3. Never touch uninsulated communications wiring or terminals unless the communication line has been disconnected at the network interface.
4. Use caution when installing or modifying communication wiring.

For Instructions in Local Languages
and Technical Support:
www.panduit.com/resources/install_maintain.asp

PANDUIT
www.panduit.com

E-mail:
techsupport@panduit.com

Phone:
866-405-6654