



®

FOR USE WITH

MINI-COM™

CONNECTOR MODULES

WHICH MUST BE

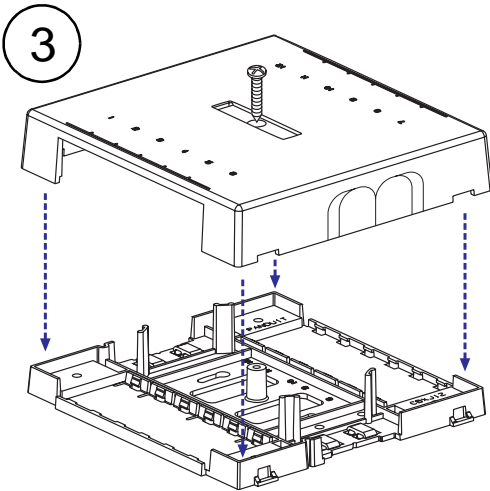
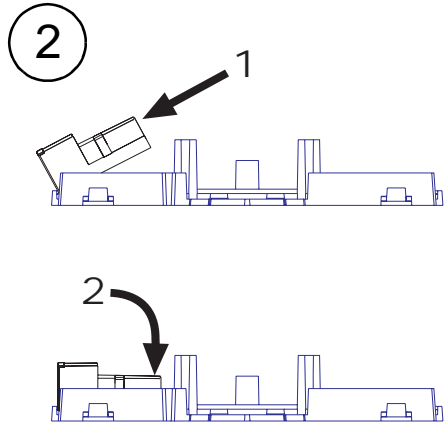
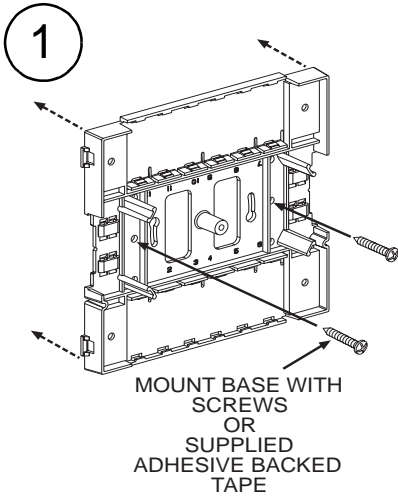
ORDERED SEPERATELY

MINI-COM™  
SURFACE MOUNT BOX  
PANDUIT PART NUMBER: CBXJ12

## INSTALLATION INSTRUCTIONS

©Panduit Corp. 1998

Printed in Japan



Number of cables	Cable* Type	Breakout
1	ROUND	
1	OVAL	
2	ROUND	
2	OVAL	

\*25 PAIR GROUPED CABLE

For Technical Assistance call: 888-506-5400, Ext. 6914

PN98A



® 10500 West 167th Street  
Orland Park, IL 60467  
Phone: 888-506-5400, Ext. 6914  
FAX: 708-460-2897

NETWORK SYSTEMS GROUP

WORLDWIDE SUBSIDIARIES AND SALES OFFICES