

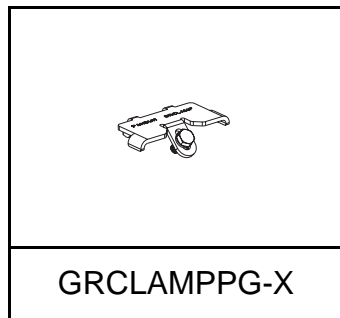
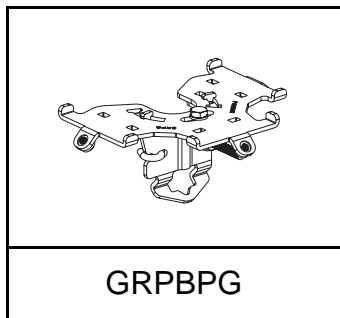
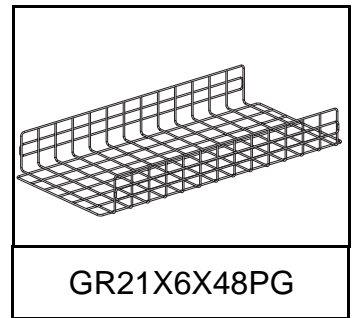
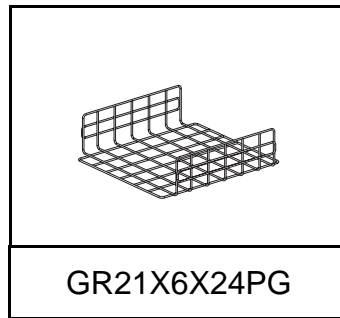
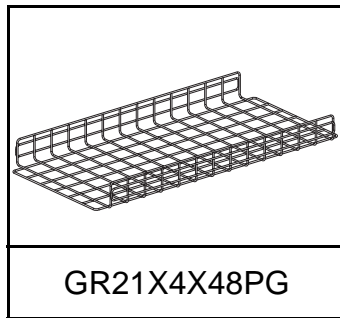
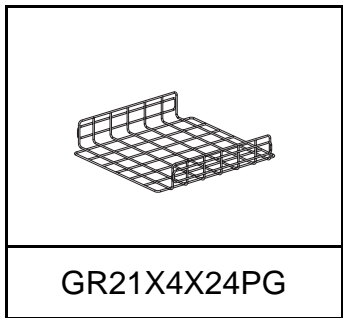
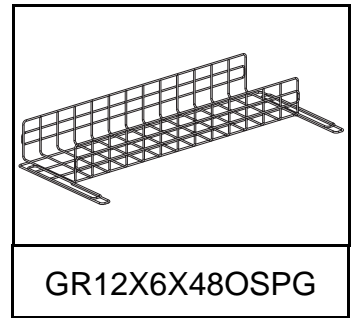
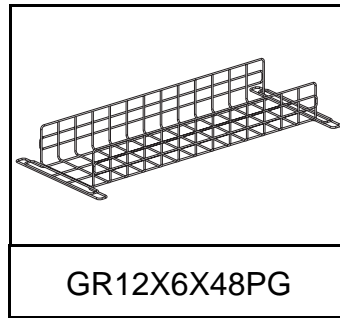
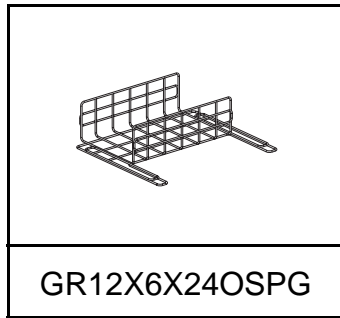
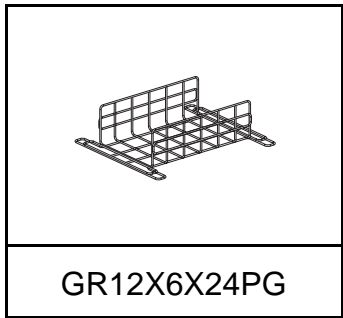
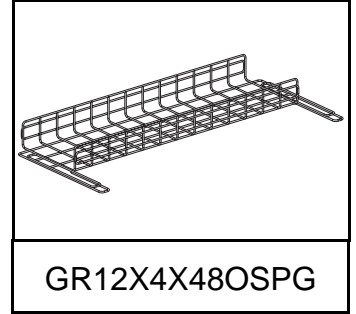
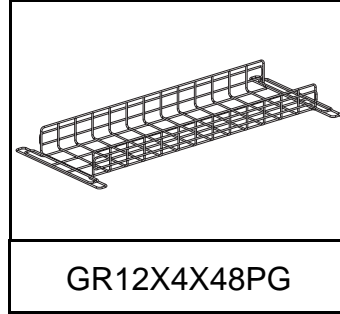
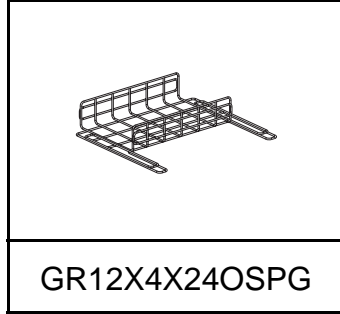
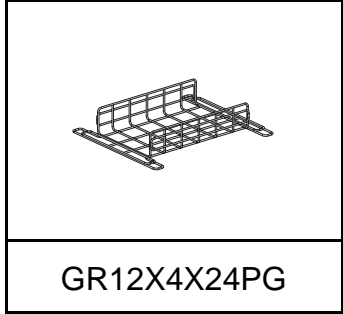


GRIDRUNNER Underfloor Cable Routing System

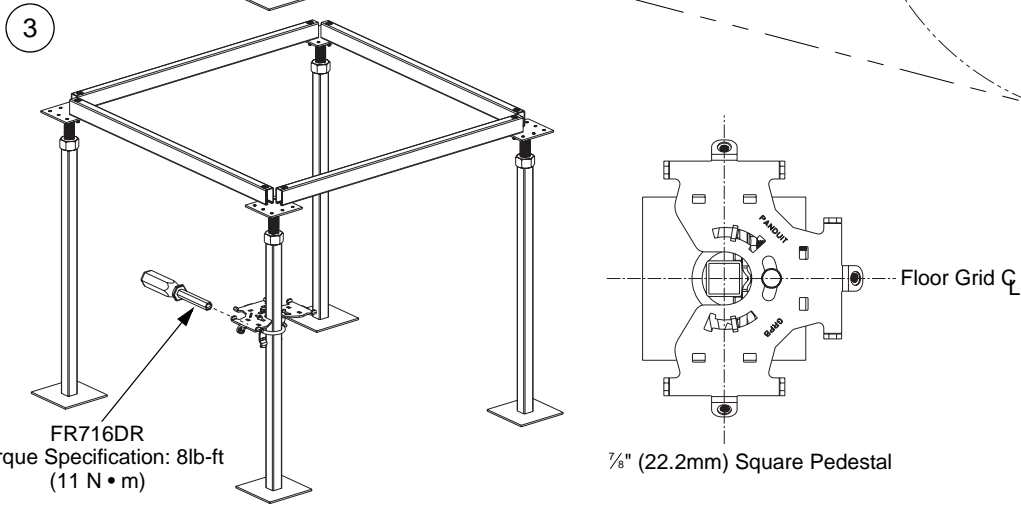
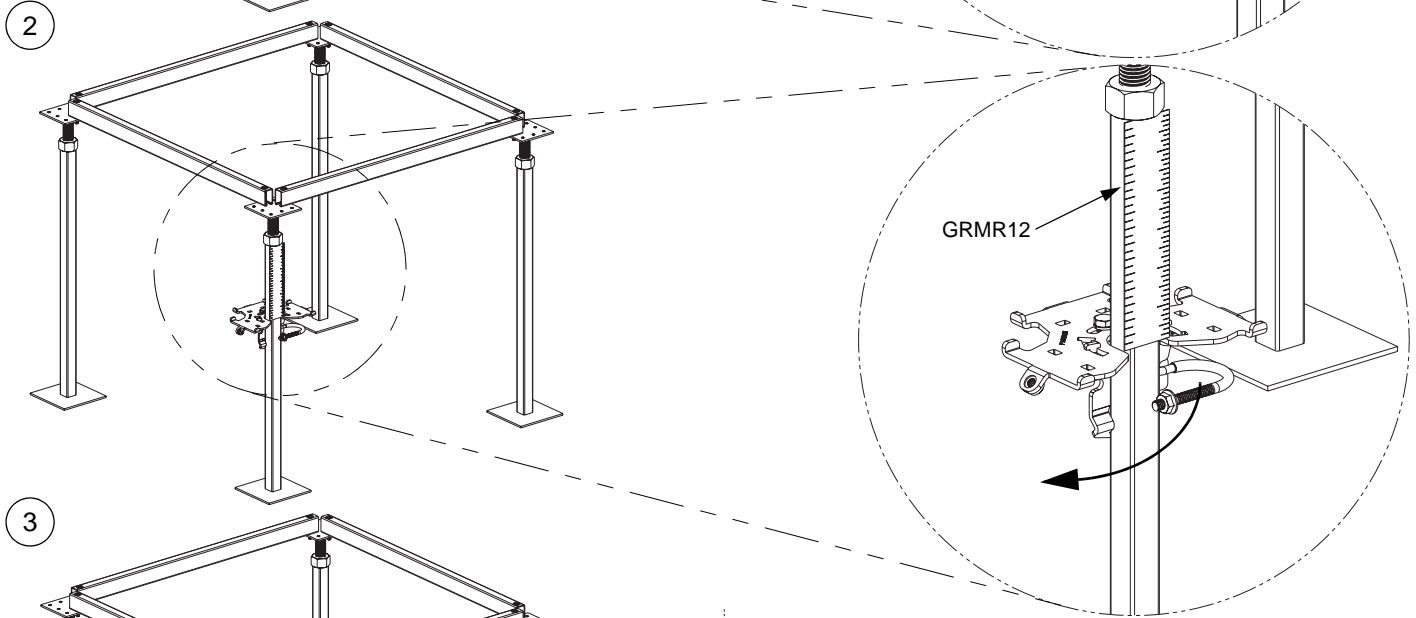
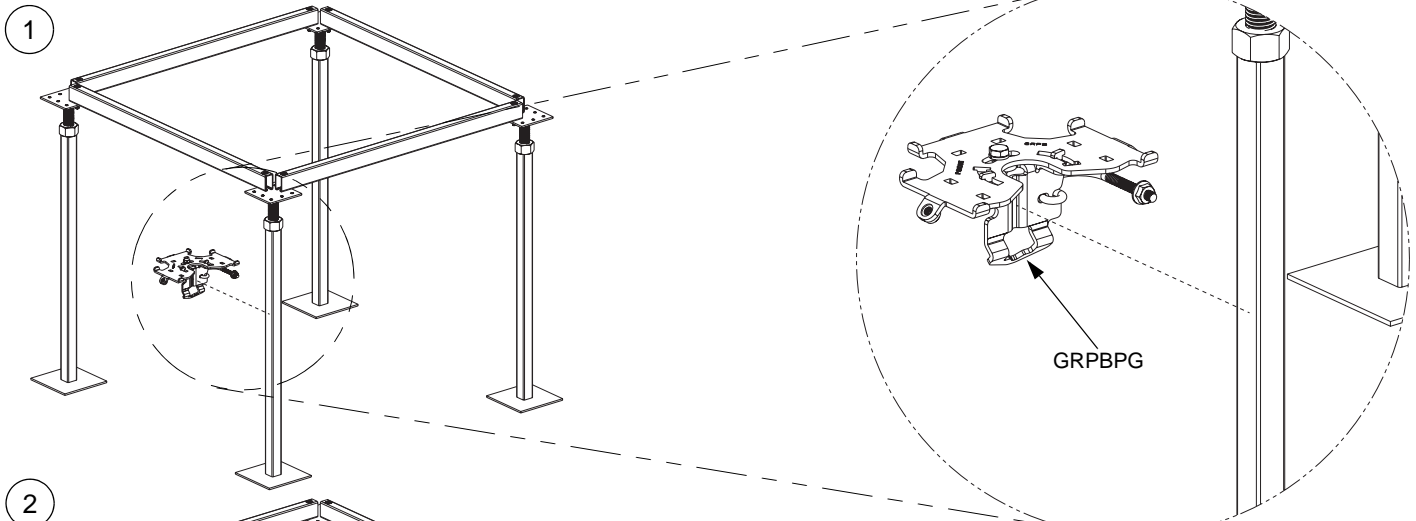
Panduit Part Numbers: GR12X4X24PG, GR12X4X24OSPG, GR12X4X48PG, GR12X4X48OSPG, GR12X6X24PG, GR12X6X24OSPG, GR12X6X48PG, GR12X6X48OSPG, GR21X4X24PG, GR21X4X48PG, GR21X6X24PG, GR21X6X48PG, GRPBPG, GRCLAMPPG-X, GRFWC21PG

INSTALLATION INSTRUCTIONS

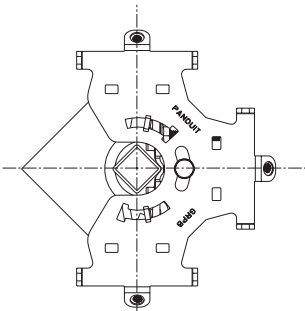
© Panduit Corp. 2007



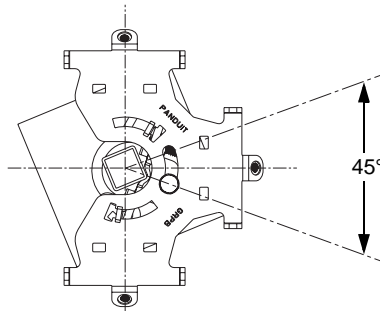
INSTALLATION INSTRUCTIONS



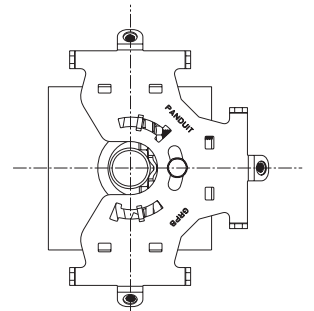
3/8" (22.2mm) Square Pedestal



3/8" (22.2mm) Square Pedestal
(mounted at 45°)

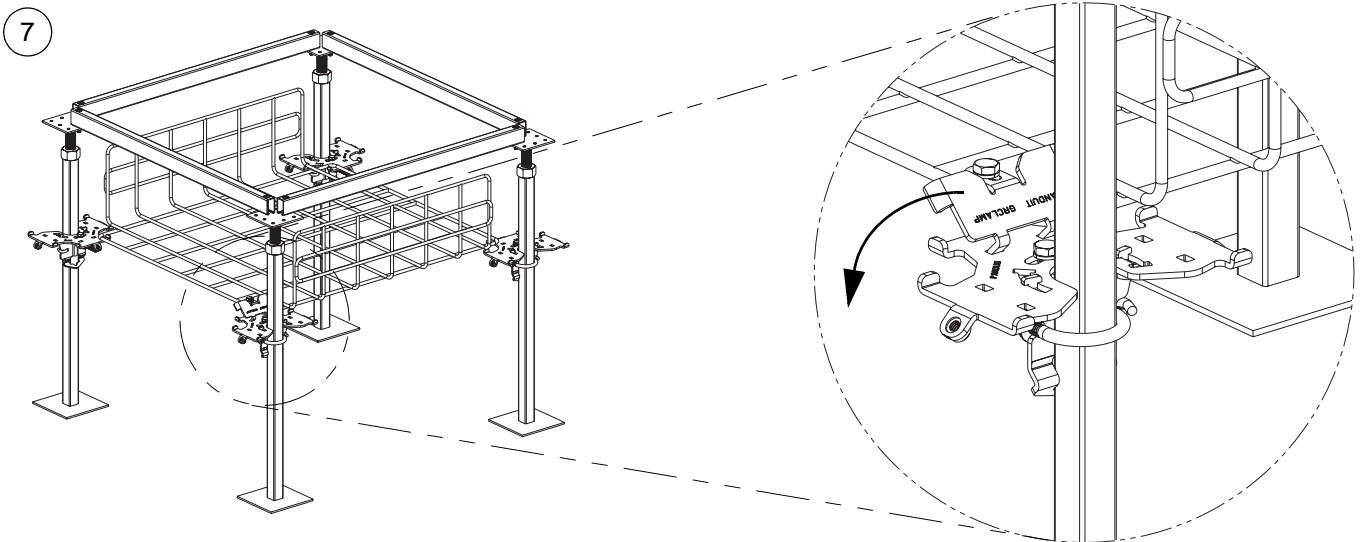
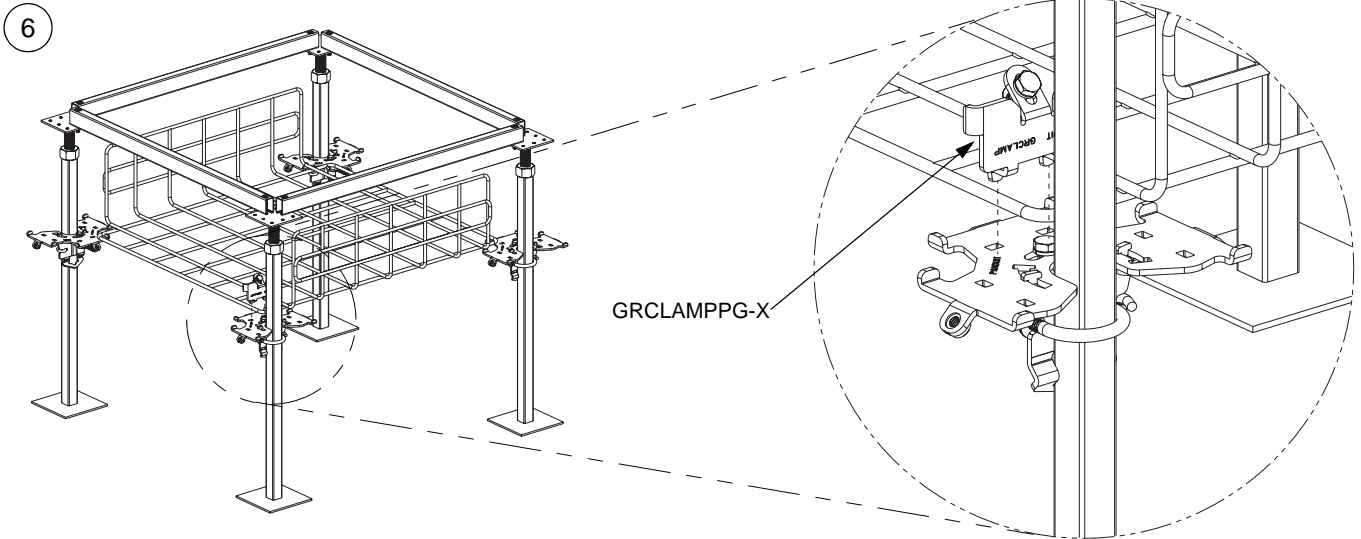
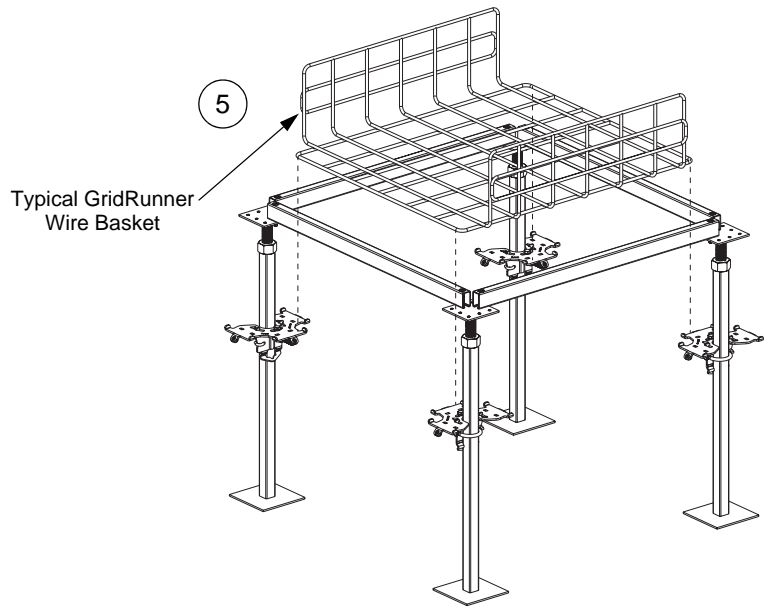
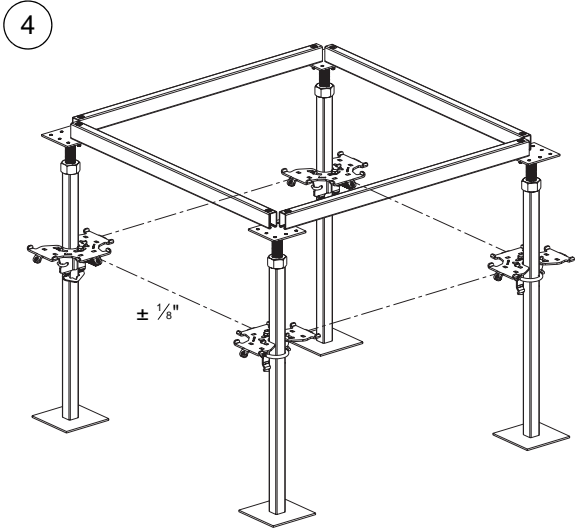


3/8" (22.2mm) Square Pedestal
(mounted off center)



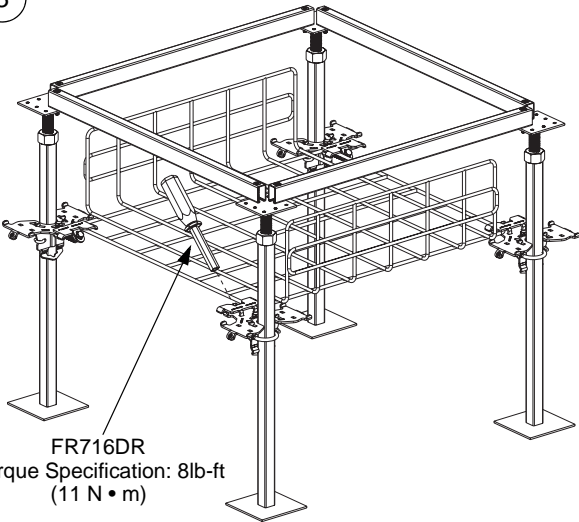
1" (25.4mm) Round Pedestal

INSTALLATION INSTRUCTIONS

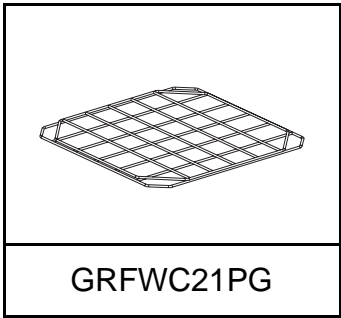
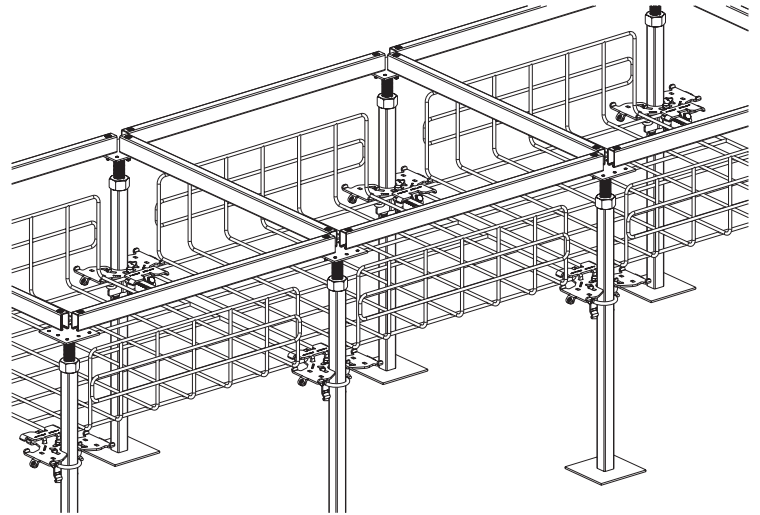


INSTALLATION INSTRUCTIONS

8

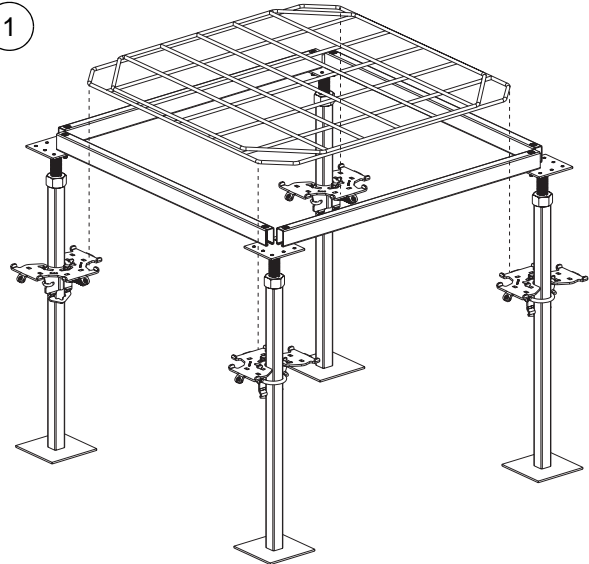


FR716DR
Torque Specification: 8lb-ft
(11 N • m)

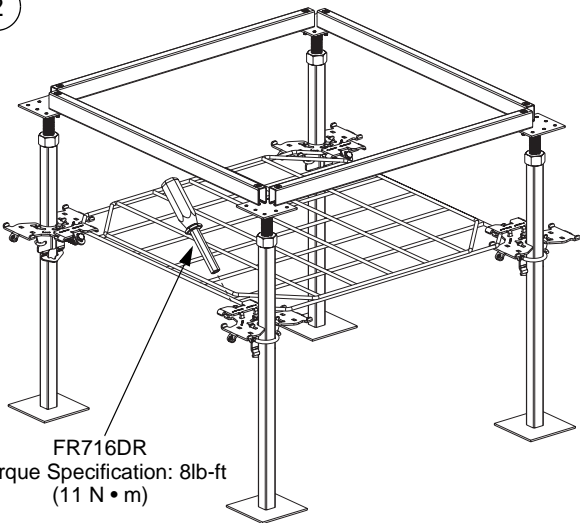


GRFWC21PG

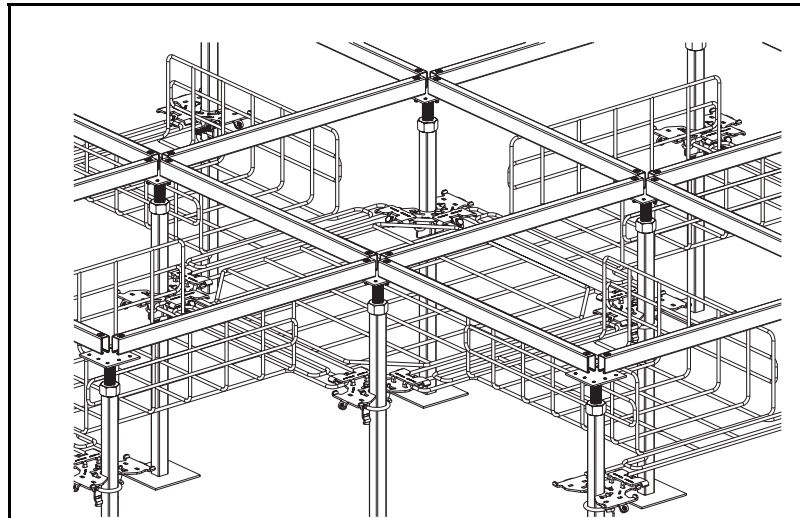
1



2



FR716DR
Torque Specification: 8lb-ft
(11 N • m)



Instruction Sheet RW232

WORLDWIDE SUBSIDIARIES AND SALES OFFICES

17301 Ridgeland Avenue
Tinley Park, IL 60477-3901
Web Site: www.panduit.com



RACEWAY SYSTEMS DIVISION

Fax: 708-532-1811
Technical Support: 800-777-3300
E-mail: cs@panduit.com