



FIBERRUNNER 2X2 Routing System With **QUIKLOCK COUPLER**

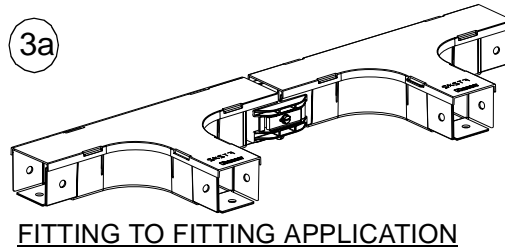
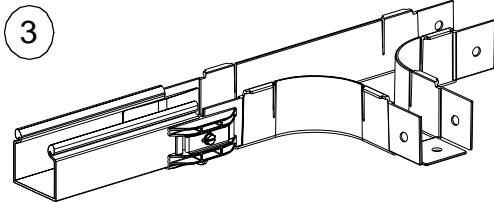
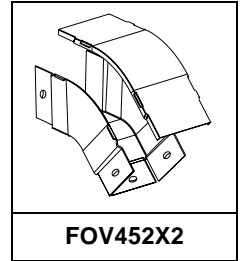
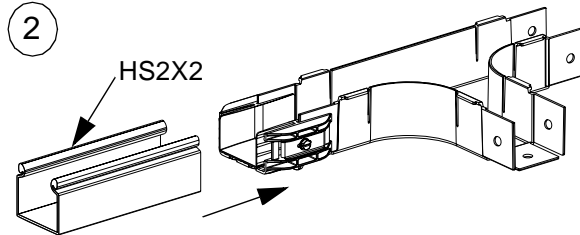
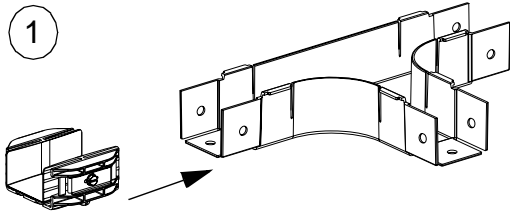
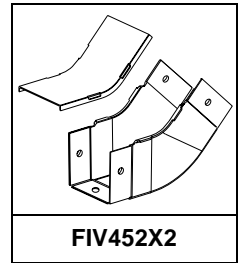
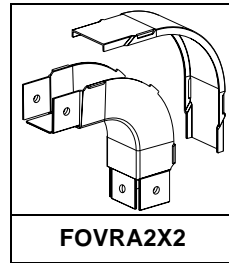
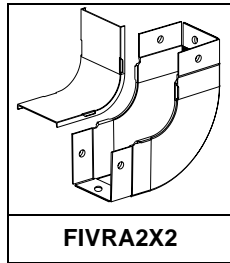
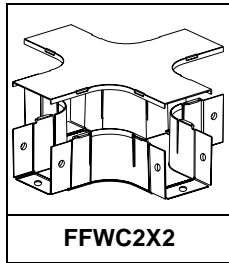
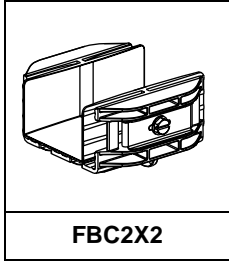
PANDUIT PART NUMBERS: FBC2X2, FFWC2X2, FIVRA2X2, FOVRA2X2, FIV452X2, FOV452X2, FRA2X2, FT2X2, FVTHD2X2, FHDEC2X2, HS2X2, H2X2, HC2

FOR USE WITH
**TYPE H2X2 AND
HS2X2 CHANNEL**

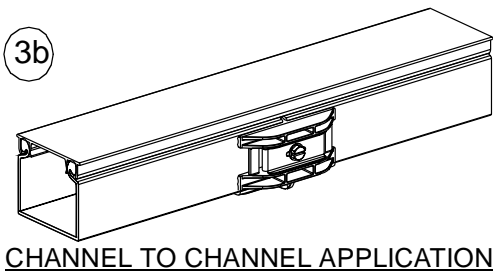
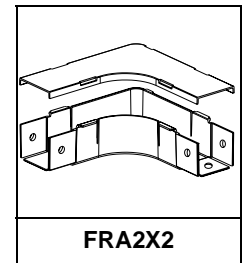
INSTALLATION INSTRUCTIONS

Panduit Corp. 2002

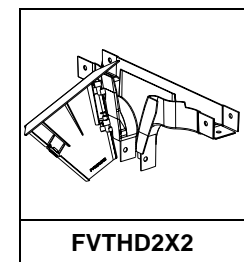
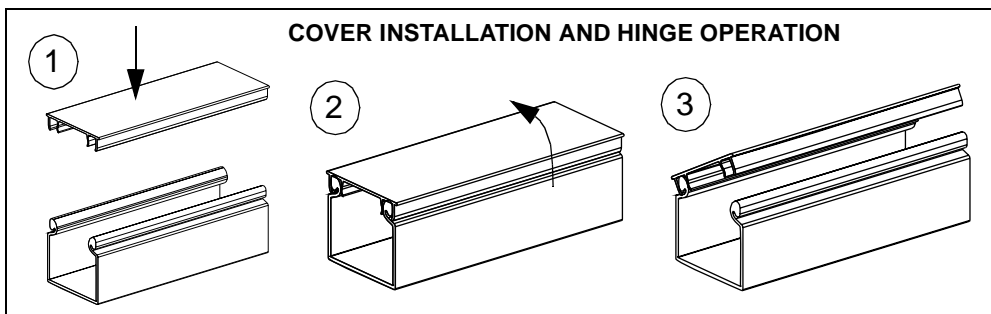
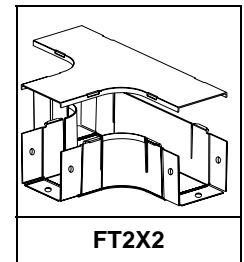
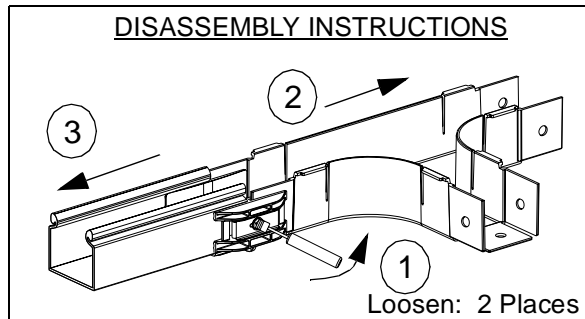
Printed in U.S.A.

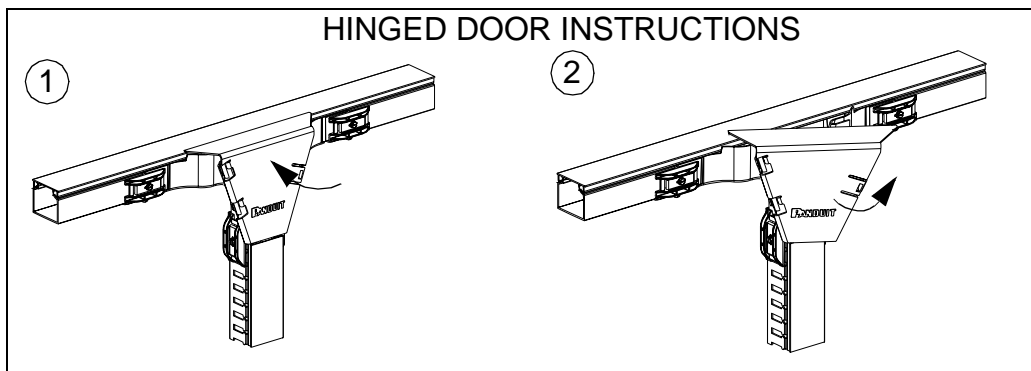
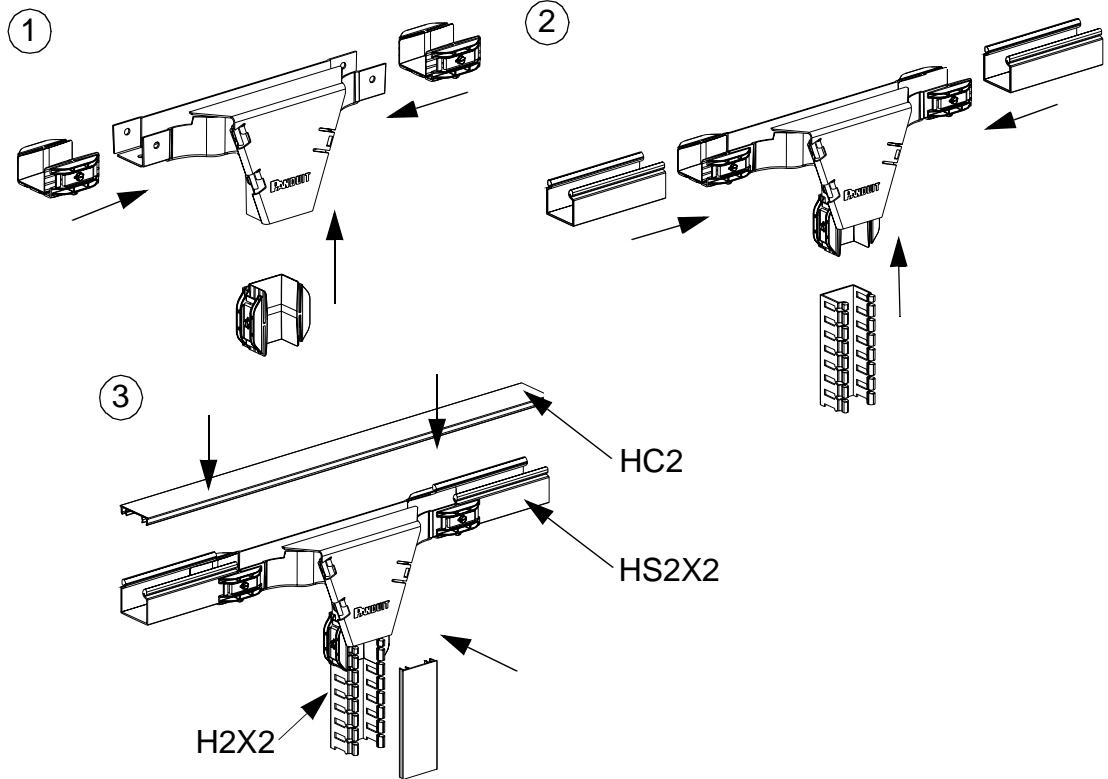
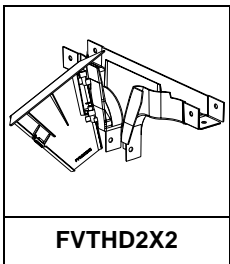
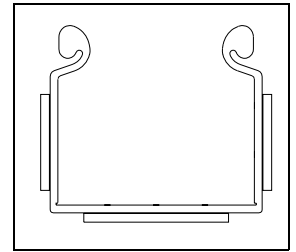
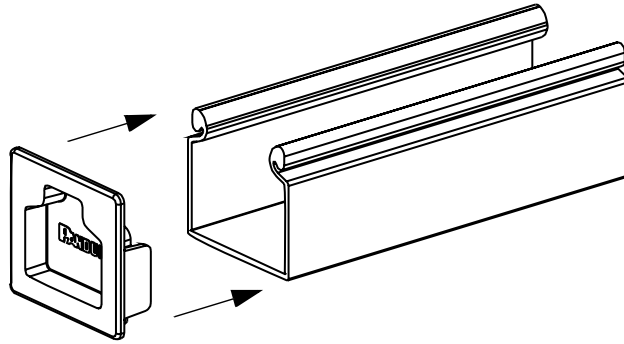
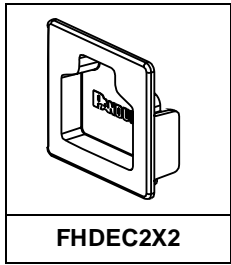


FITTING TO FITTING APPLICATION



CHANNEL TO CHANNEL APPLICATION





Instruction Sheet RW122

WORLDWIDE SUBSIDIARIES AND SALES OFFICES

17301 Ridgeland Avenue
 Tinley Park, IL.60477-3091
 Web Site: www.panduit.com/ngc



Fax: 866-449-1702
 Technical Support: 866-405-6656
 Email: netconnsupport@panduit.com