



FOR USE WITH  
TYPE E 4X4 AND  
S 4X4 FIBER-DUCT

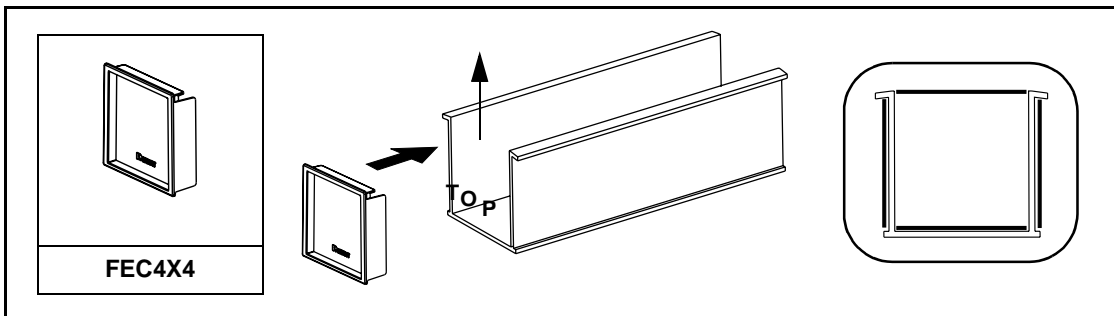
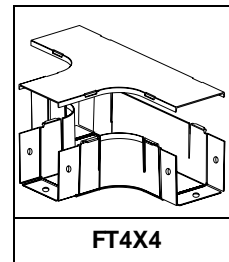
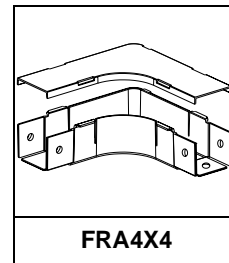
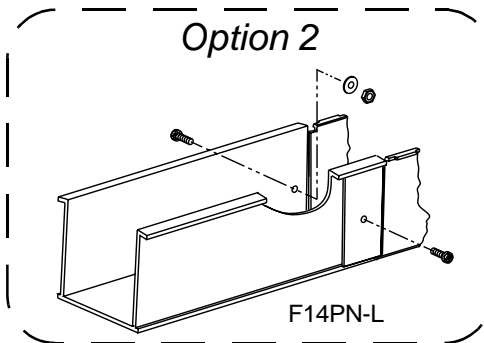
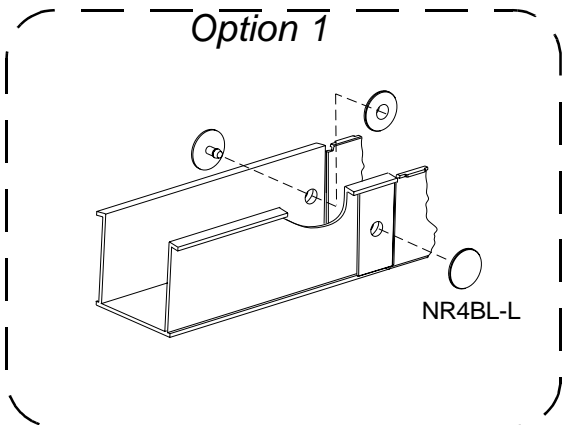
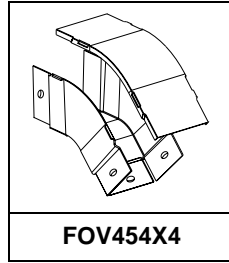
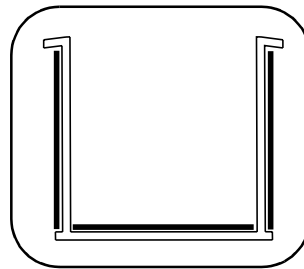
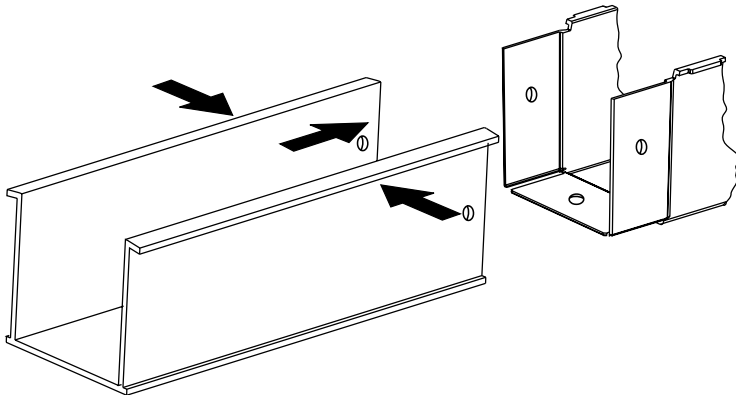
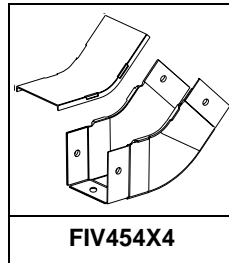
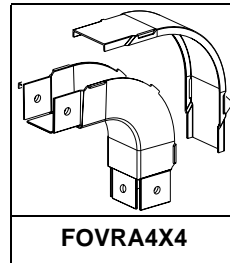
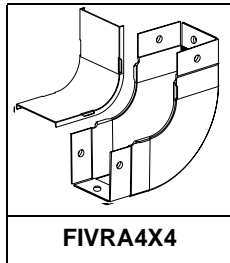
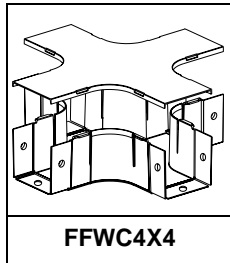
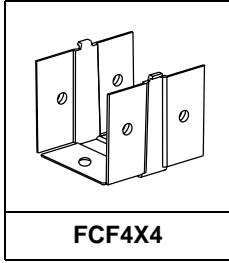
# FIBER-DUCT 4X4 System Fittings

PANDUIT PART NUMBERS: FCF4X4, FFWC4X4, FIVRA4X4, FOVRA4X4, FIV454X4, FOV454X4, FRA4X4, FT4X4, FVT4X4, FEC4X4, NR4BL-L, F14PN-L

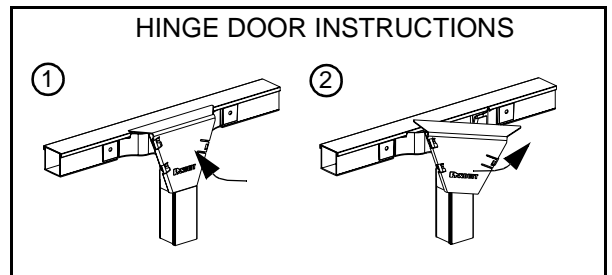
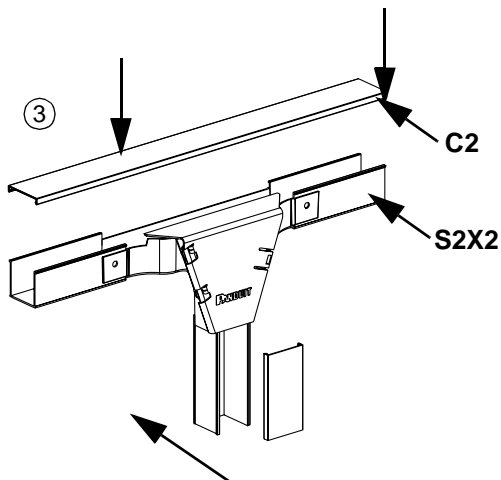
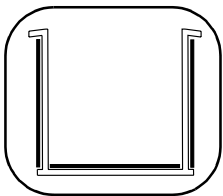
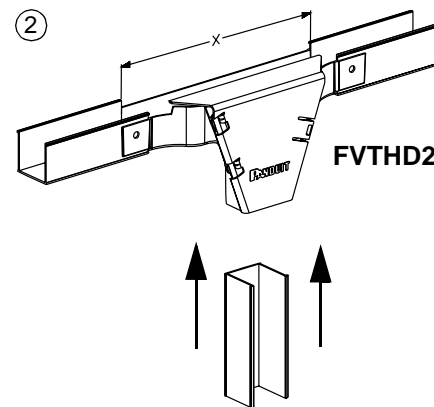
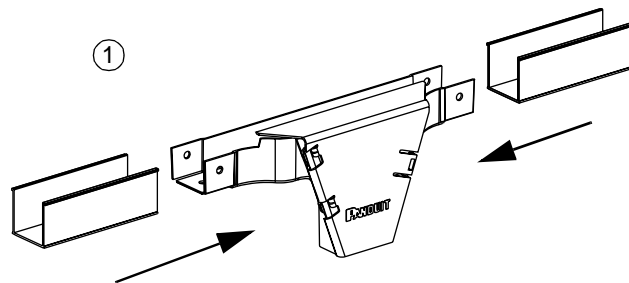
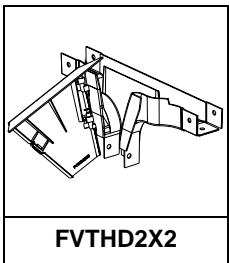
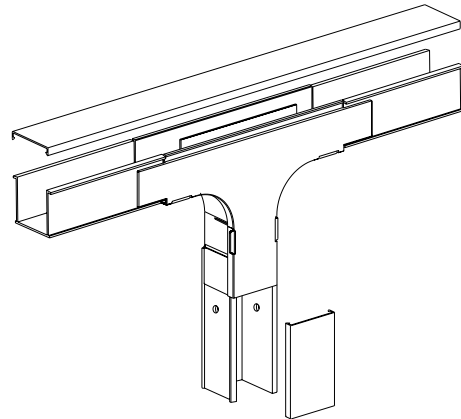
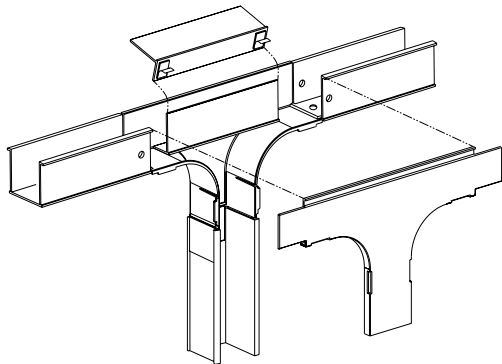
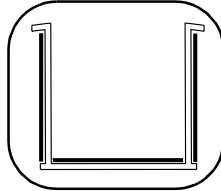
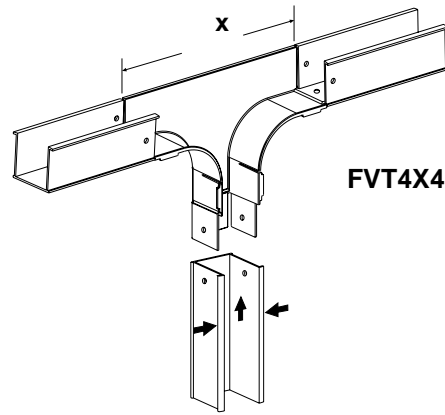
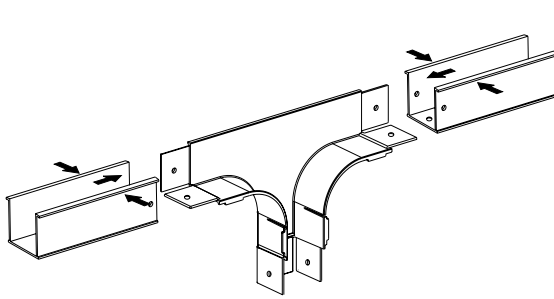
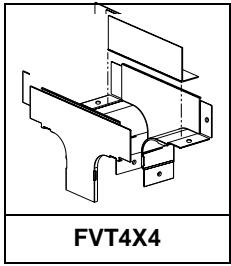
## INSTALLATION INSTRUCTIONS

Panduit Corp. 1998

Printed in U.S.A.



# FIBER-DUCT 4X4 System Fittings INSTALLATION INSTRUCTIONS



Instruction Sheet RW89B

## WORLDWIDE SUBSIDIARIES AND SALES OFFICES

17301 Ridgeland Avenue  
 Tinley Park, IL 60477-3091  
 Web Site: [www.panduit.com/ncg](http://www.panduit.com/ncg)



Fax: 866-449-1702  
 Technical Support: 866-405-6656  
 Email: [netconnsupport@panduit.com](mailto:netconnsupport@panduit.com)