



# For Use With *PANDUIT* *FIBERRUNNER* 6x4 and 12x4 Cable Routing Systems

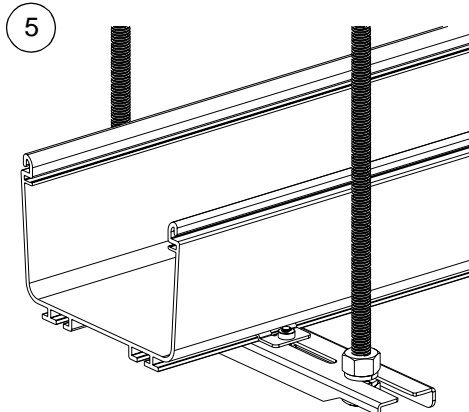
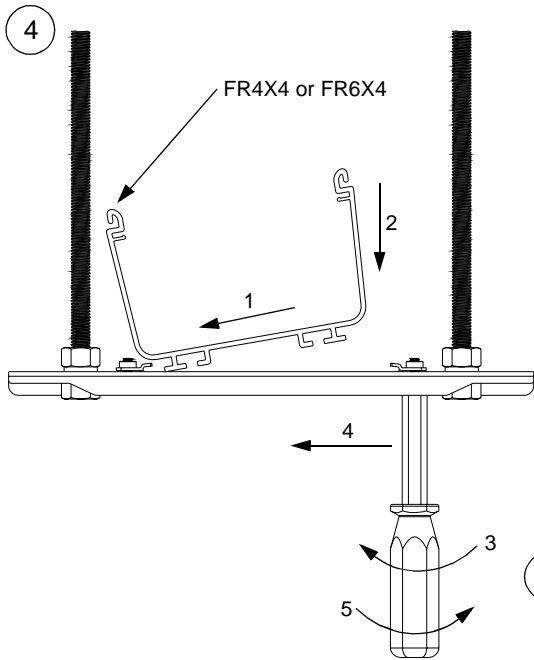
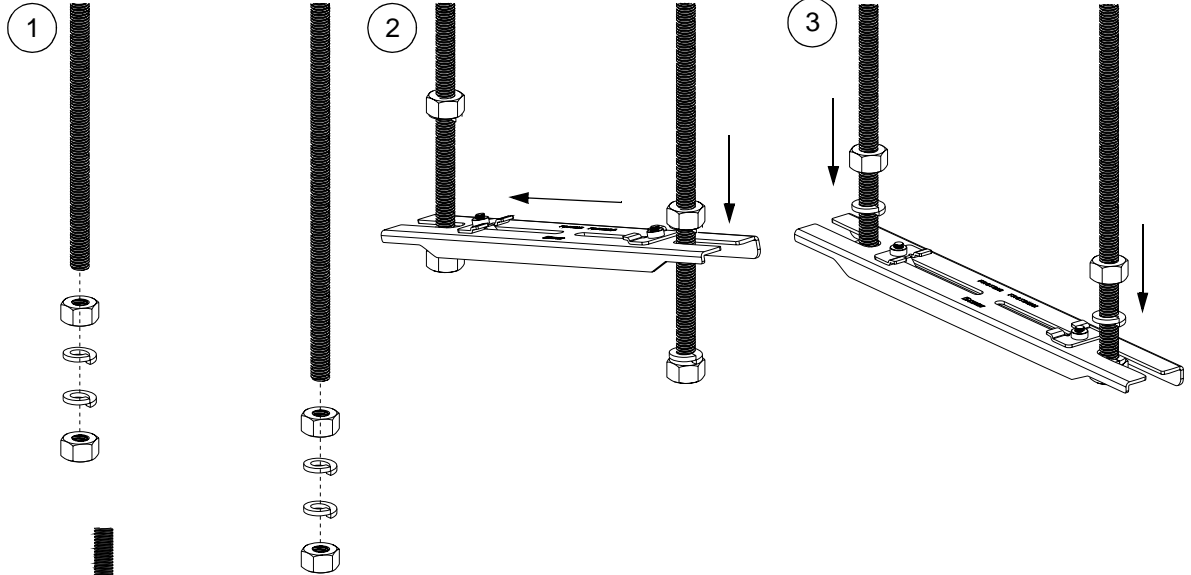
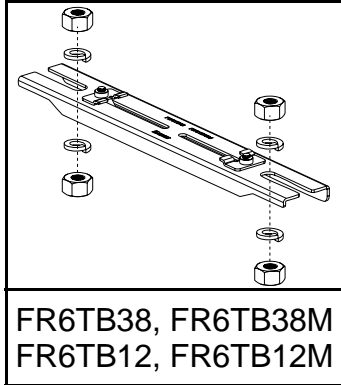
## *FIBERRUNNER* 6x4 and 12x4 *QUIKLOCK* Trapeze Brackets

Part Numbers: FR6TB38, FR6TB38M, FR6TB12, FR6TB12M, FR12TB12, FR12TB12M, FR12TB58, FR12TB58M

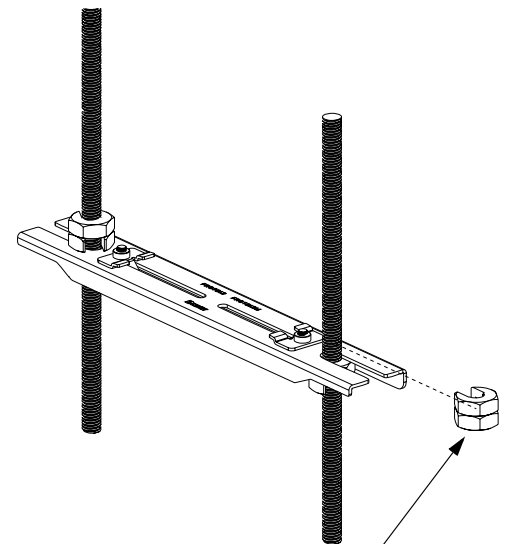
### INSTALLATION INSTRUCTIONS

© Panduit Corp. 2001

Printed in U.S.A.



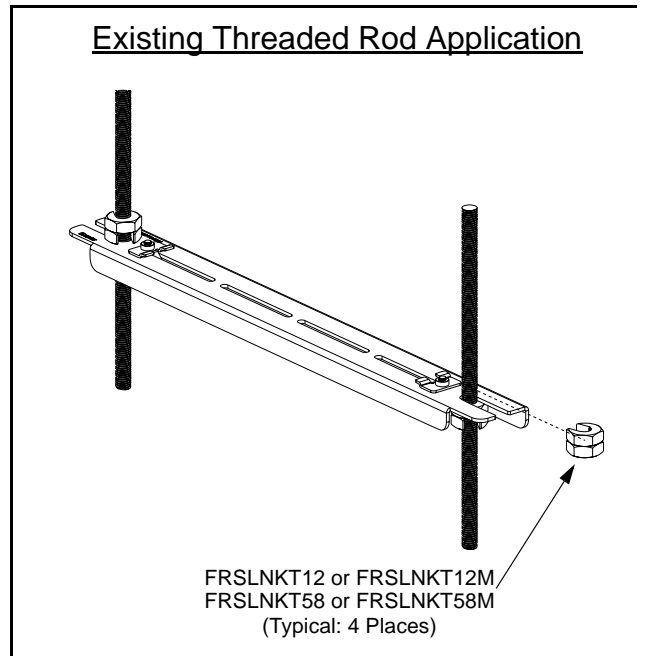
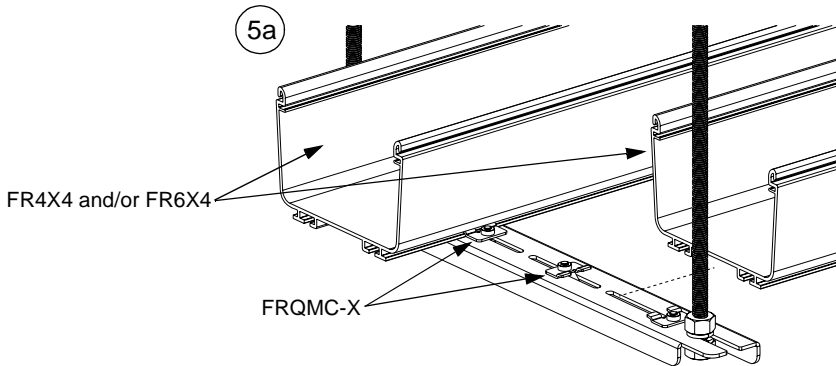
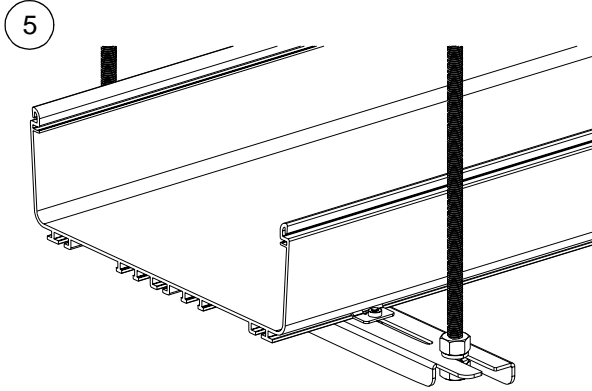
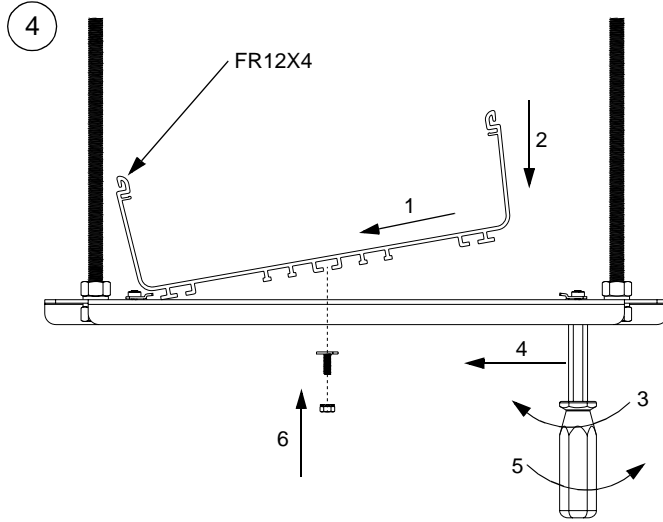
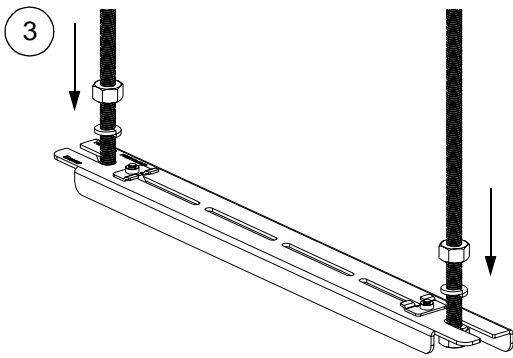
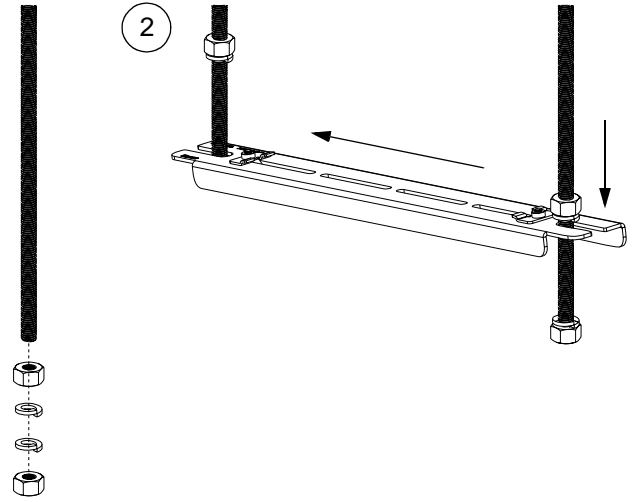
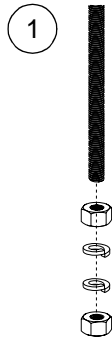
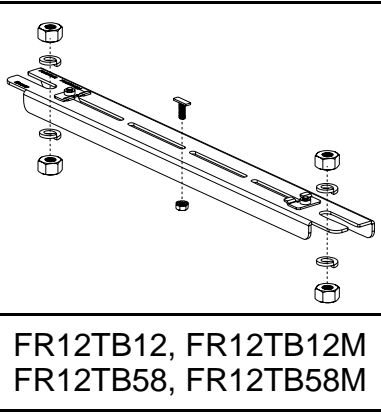
#### Existing Threaded Rod Application



FRSLNKT12 or FRSLNKT12M  
(Typical: 4 Places)

For Technical Assistance, Call: 866-405-6656

# INSTALLATION INSTRUCTIONS



Instruction Sheet RW153B

## WORLDWIDE SUBSIDIARIES AND SALES OFFICES

17301 Ridgeland Avenue  
Tinley Park, IL 60477-3901  
Web Site: [www.panduit.com/ncg](http://www.panduit.com/ncg)



Fax: 866-449-1702  
Technical Support: 866-405-6656  
E-mail: [netconnsupport@panduit.com](mailto:netconnsupport@panduit.com)