



# PAN-WAY INTERMEDIATE JUNCTION BOX

# FOR USE WITH PANDUIT SURFACE RACEWAY ROUTING SYSTEM

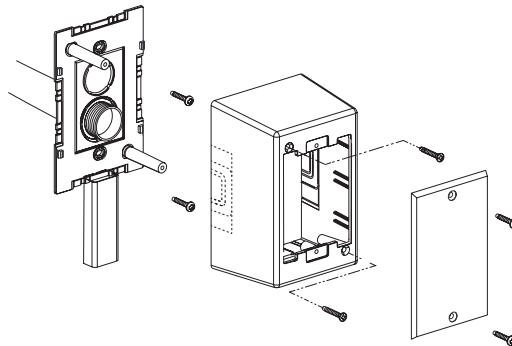
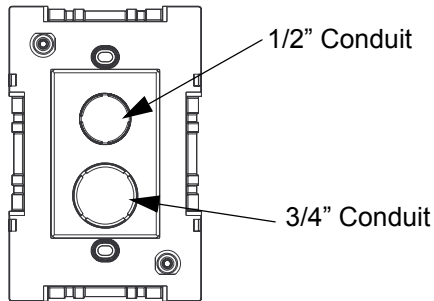
Part Numbers: JBP11

## INSTALLATION INSTRUCTIONS

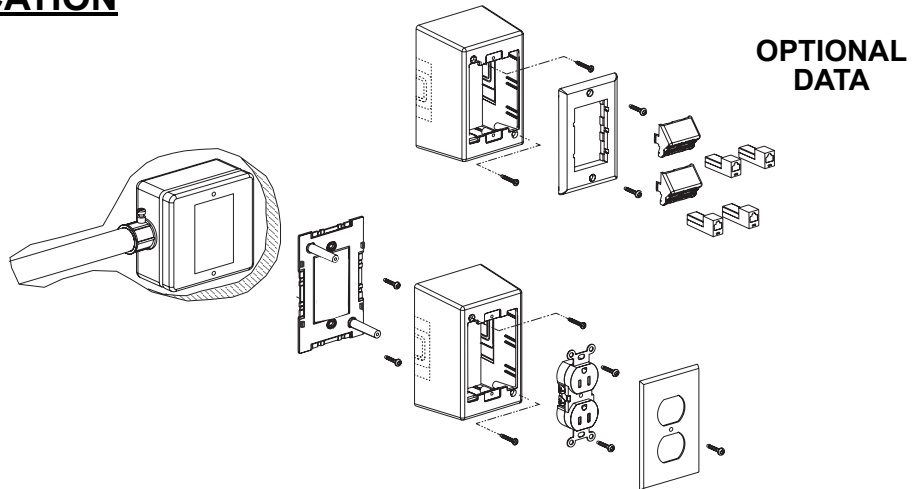
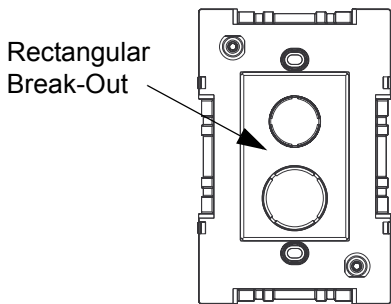
©Panduit Corp. 2005

Printed in U.S.A.

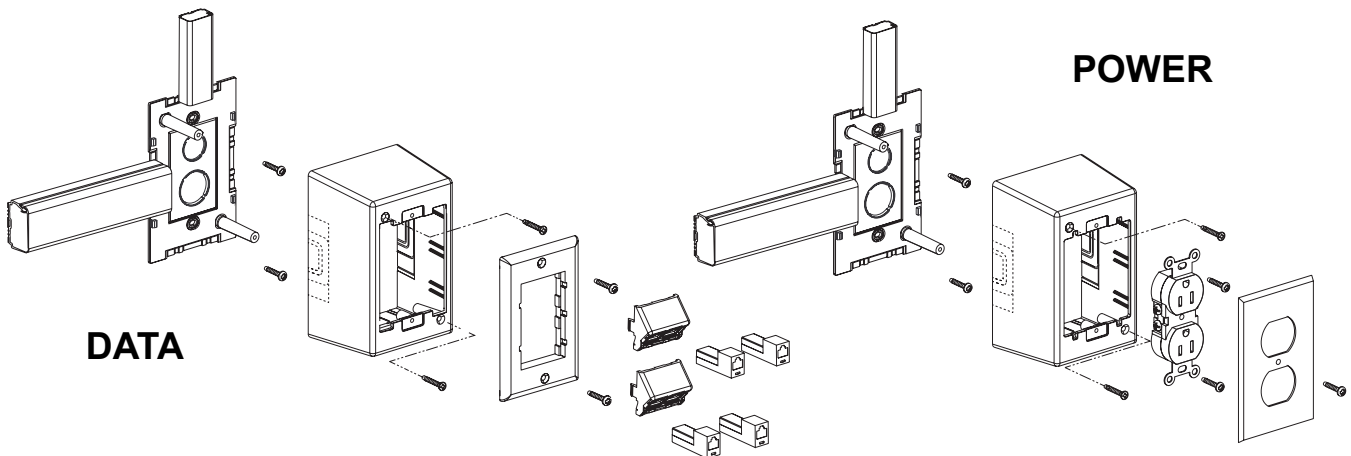
### CONDUIT APPLICATION



### IN-WALL BOX POWER APPLICATION

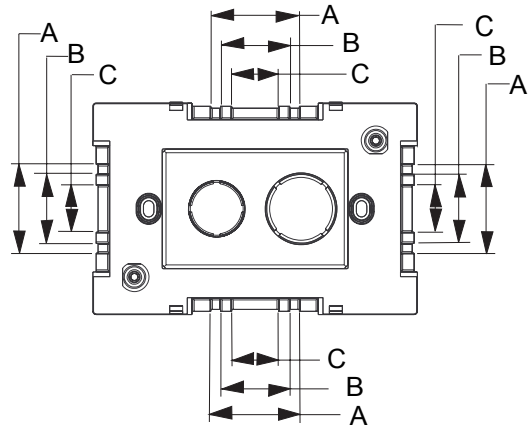
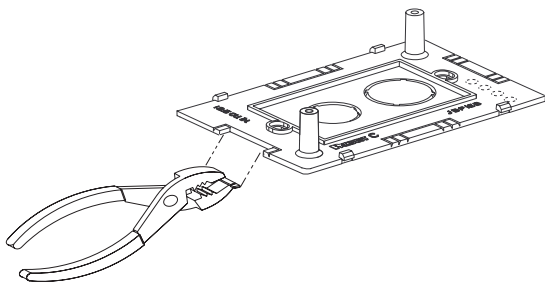
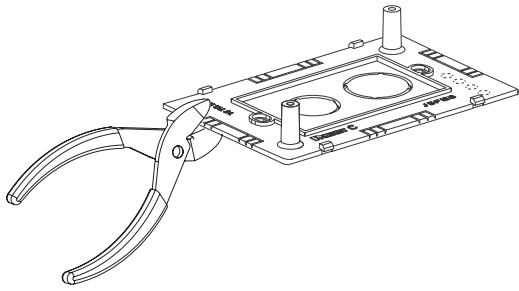


### SURFACE RACEWAY APPLICATION



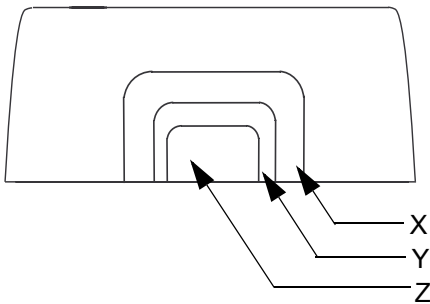
# INTERMEDIATE JUNCTION BOX INSTALLATION INSTRUCTIONS

## BASE BREAKOUTS

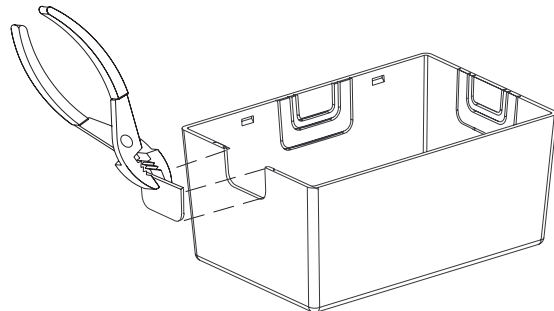
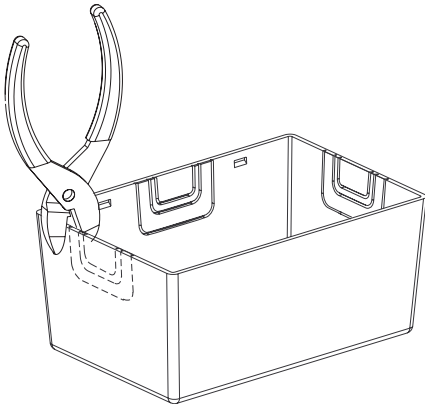


BASE	RACEWAY
A	LDPH10, LD10
B	LDPH5, LD5, LDS5, PD6
C	LDPH3, LD3, LDS3, PD3

## COVER BREAKOUTS



COVER	RACEWAY	ADAPTER
X	LDPH10, LD10, CD10	-
X	PD3	BA3
X	PD6	BA6
Y	LD5, LDPH5, LDS5	-
Z	LD3, LDS3, LDPH3	-



Instruction Sheet RW51

### WORLDWIDE SUBSIDIARIES AND SALES OFFICES

17301 Ridgeland Avenue  
Tinley Park, IL 60477-3091  
Web Site: [www.panduit.com](http://www.panduit.com)



Technical Support: 866-405-6656  
Fax: 866-449-1702  
Email: [netconnsupport@panduit.com](mailto:netconnsupport@panduit.com)