



FOR USE WITH PANDUIT SURFACE RACEWAY ROUTING SYSTEM

TWO GANG SHALLOW JUNCTION BOX / 2 GANG FACEPLATES

PANDUIT PART NUMBERS: JBP2, JBP2S, FP2DC, FP2RC

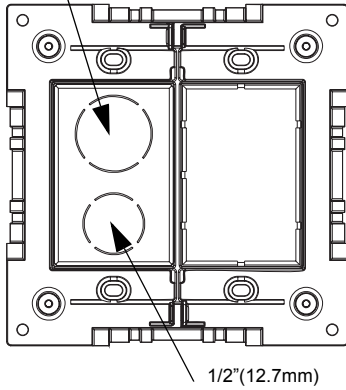
INSTALLATION INSTRUCTIONS

©Panduit Corp. 1997

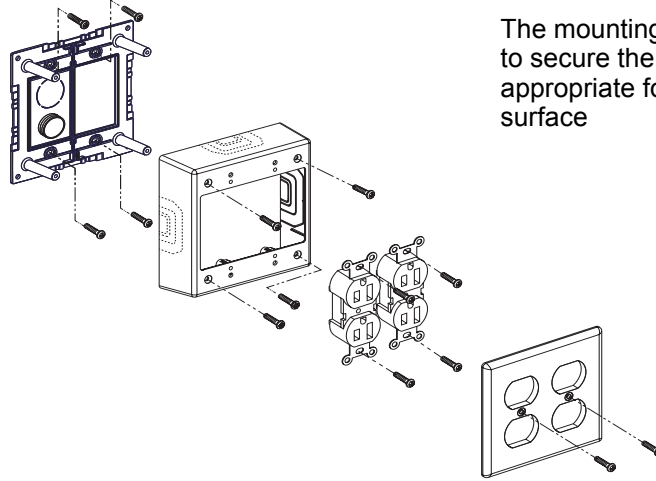
Printed in U.S.A.

CONDUIT APPLICATION

3/4" (19.05mm)



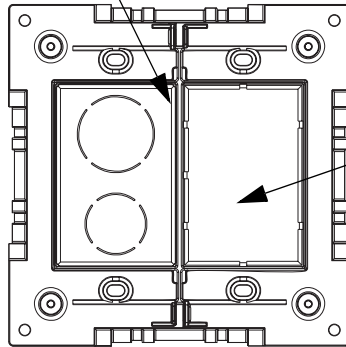
1/2" (12.7mm)



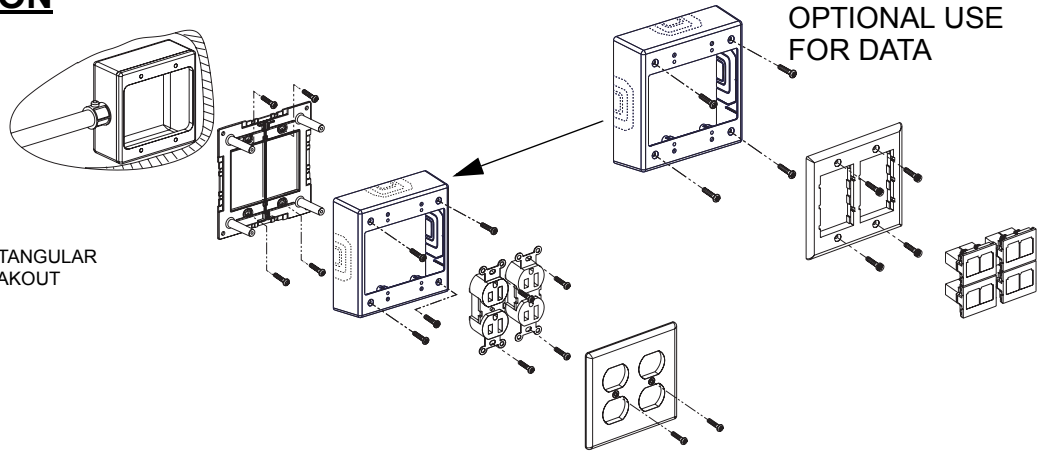
The mounting hardware used to secure the base shall be appropriate for the mounting surface

IN-WALL BOX APPLICATION

RECTANGULAR
BREAKOUT



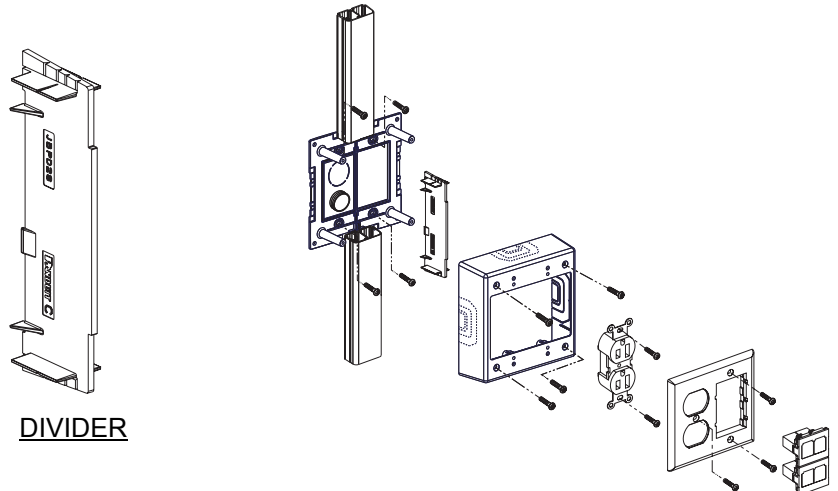
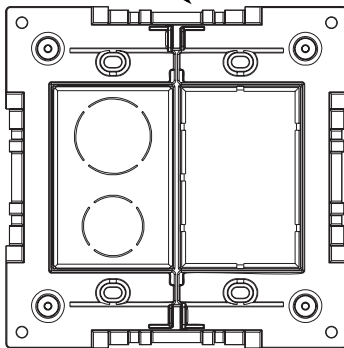
RECTANGULAR
BREAKOUT



OPTIONAL USE
FOR DATA

POWER/DATA APPLICATION

RACEWAY
BREAKOUTS

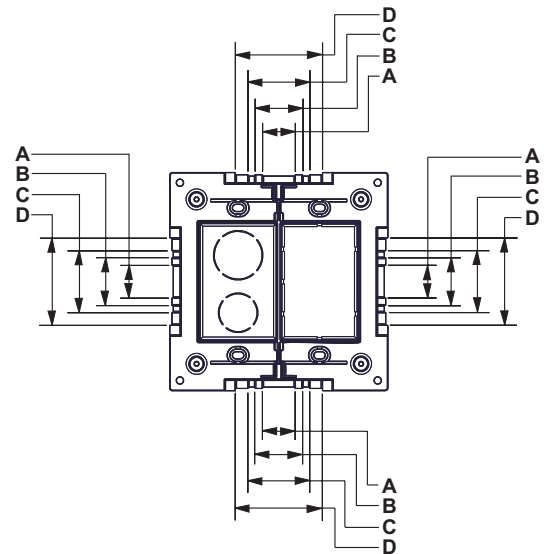
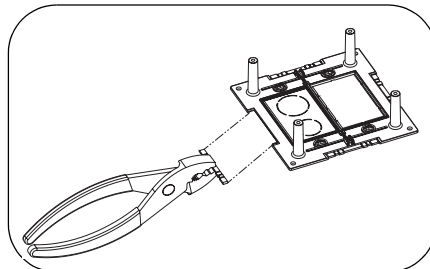
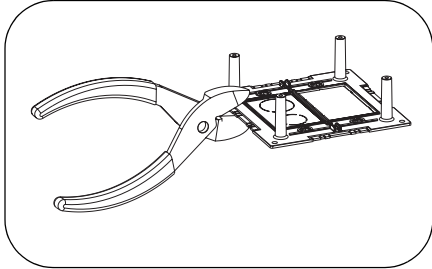


DIVIDER

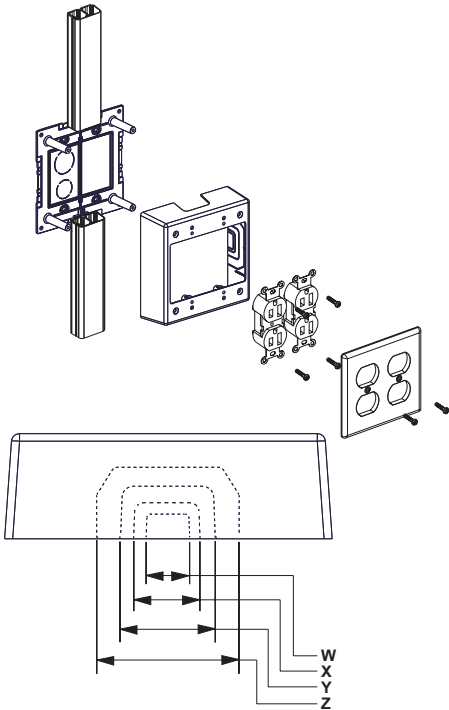
POWER JUNCTION BOX INSTALLATION INSTRUCTIONS

BASE BREAKOUTS

BASE	RACEWAY
A	LD3, LDP3, LDS3, PD3
B	LD5, LDP5, LDS5, PD6
C	LD10, LDP10, LD2P10
D	T45

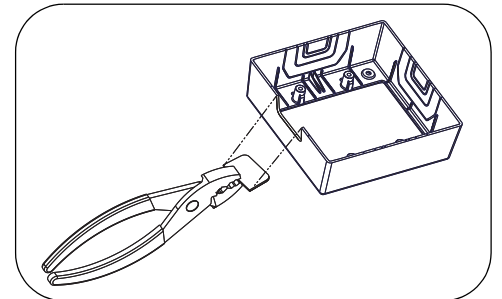
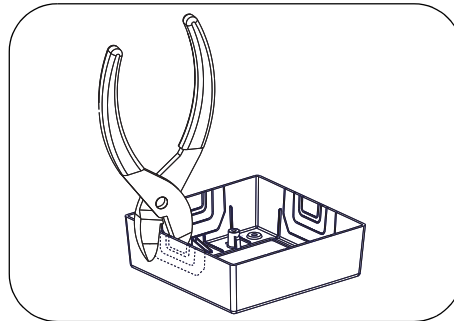


COVER BREAKOUTS

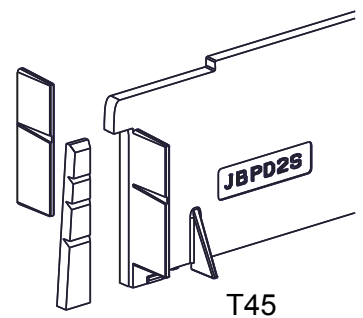
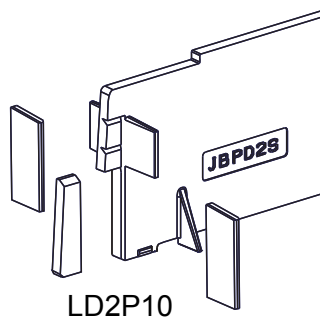
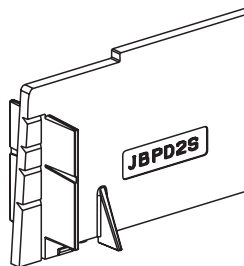


COVER	RACEWAY	ADAPTER
W	LD3, LDP3, LDS3	-
X	LD5, LDP5, LDS5	-
Y	LD10, LDP10, LD2P10	-
Y	PD3	BA3 *
Y	PD6	BA6 *
Z	T45	-

* JBP2 ONLY



DIVIDER WALL BREAKOUTS



Instruction Sheet RW09E

WORLDWIDE SUBSIDIARIES AND SALES OFFICES

17301 Ridgeland Avenue
Tinley Park, IL 60477-3091
Web Site: www.panduit.com



Technical Support: 866-405-6656
Fax: 866-449-1702
Email: netconnsupport@panduit.com