



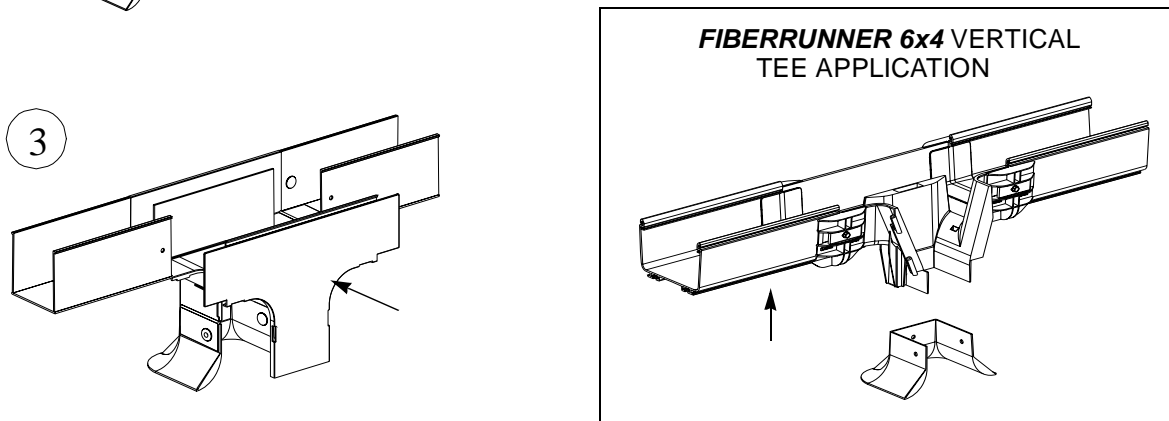
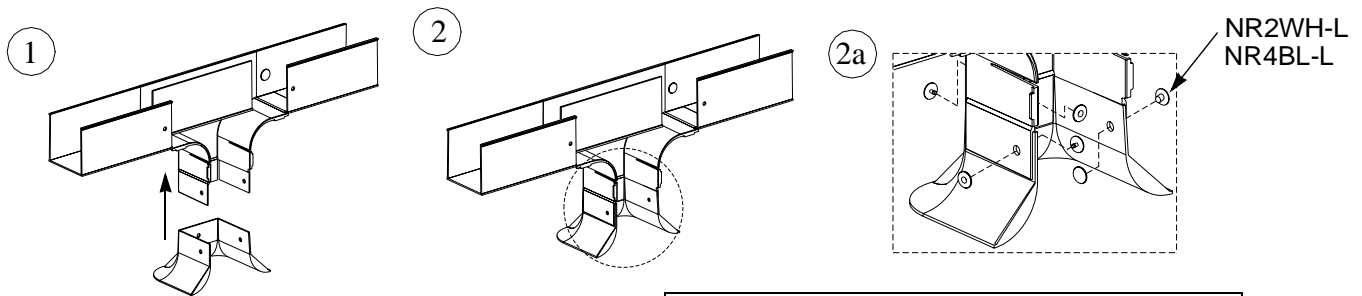
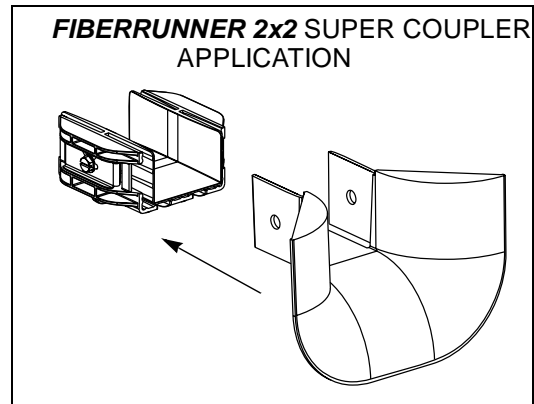
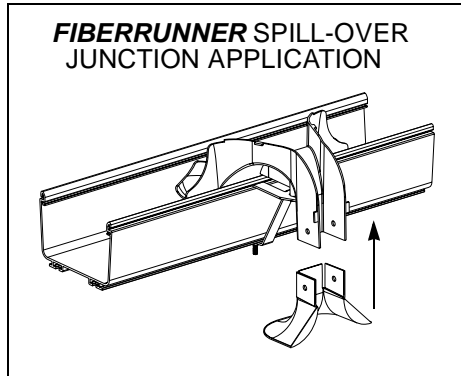
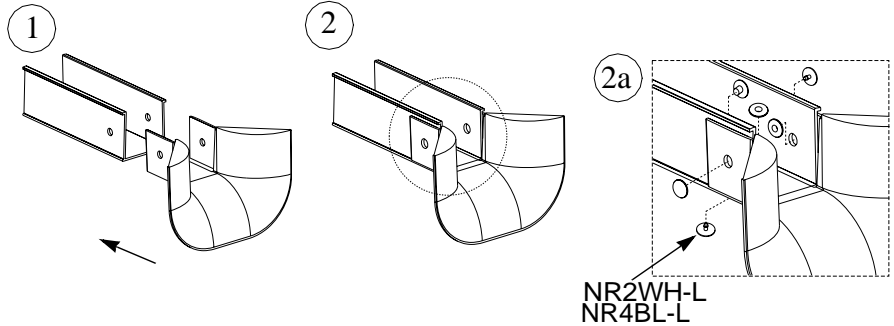
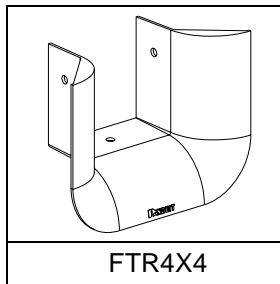
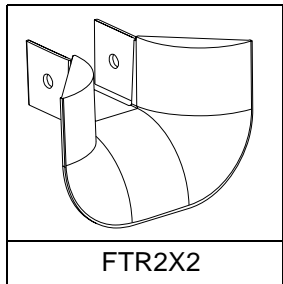
FOR USE WITH PANDUIT  
**FIBER-DUCT / FIBERRUNNER**  
ROUTING SYSTEMS

**FIBER-DUCT & FIBERRUNNER**  
2x2, 4x4, 6X4, & 12X4 3-SIDED TRUMPET FITTINGS

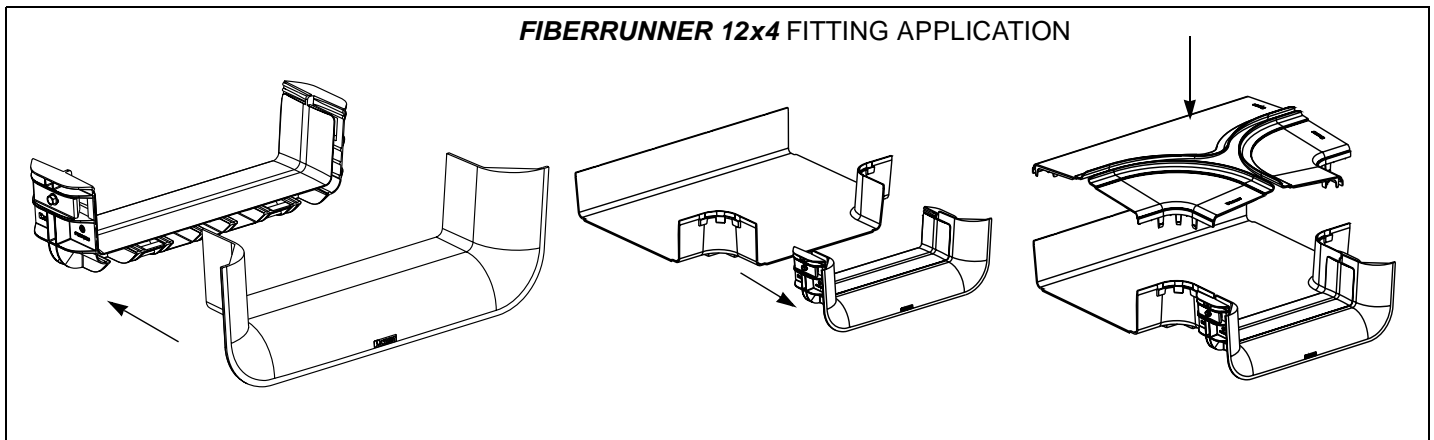
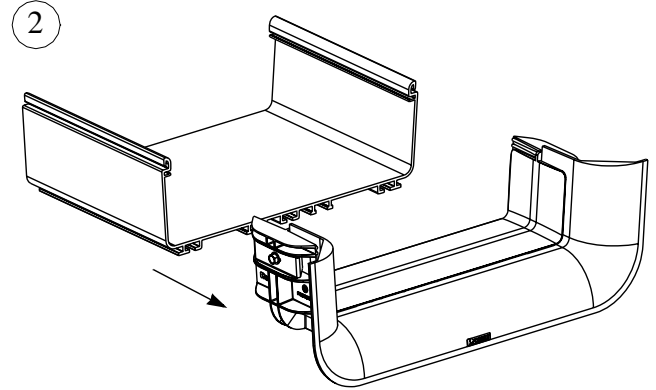
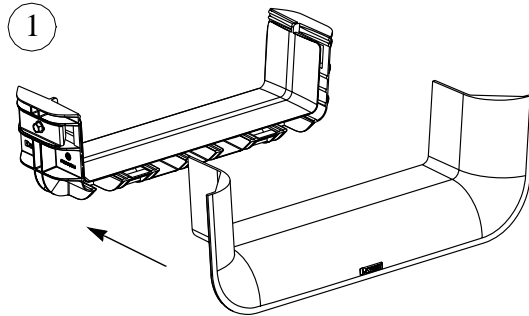
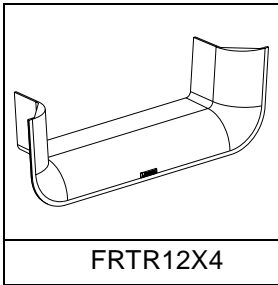
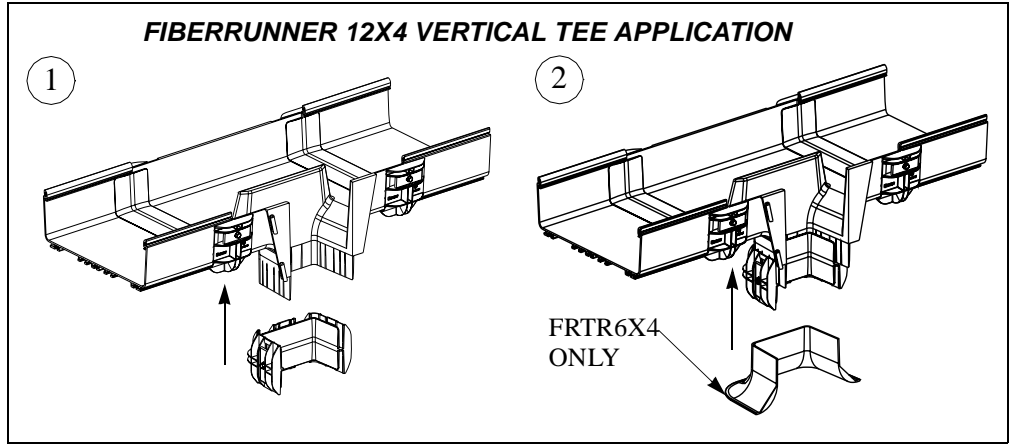
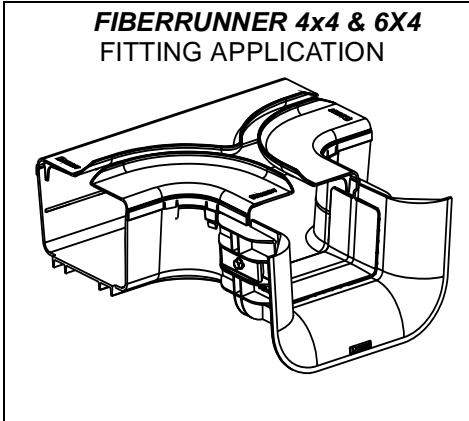
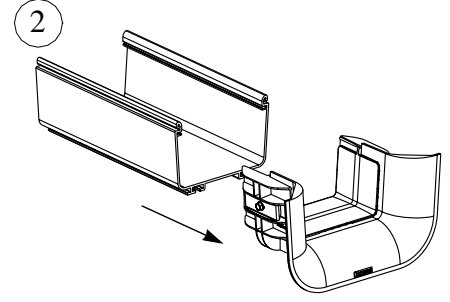
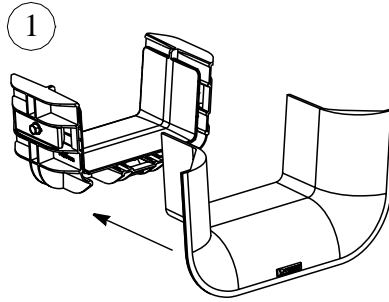
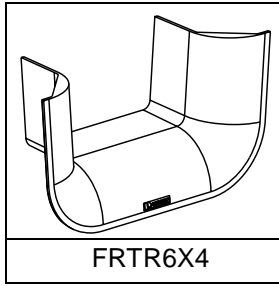
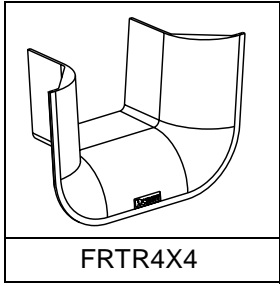
Part Numbers: FTR2X2, FTR4X4, FRTR4X4, FRTR6X4, FRTR12X4

**FTR2X2 & FTR4X4 INSTALLATION INSTRUCTIONS**

Panduit Corp. 2000



# FRTR4X4, FRTR6X4, & FRTR12X4 INSTALLATION INSTRUCTIONS



Instruction Sheet RW110C

## WORLDWIDE SUBSIDIARIES AND SALES OFFICES

17301 Ridgeland Avenue  
 Tinley Park, IL.60477-3091  
 Web Site: [www.panduit.com/ncg](http://www.panduit.com/ncg)



RACEWAY SYSTEMS DIVISION

Fax: 866-449-1702  
 Technical Support: 866-405-6656  
 Email: [netconnsupport@panduit.com](mailto:netconnsupport@panduit.com)