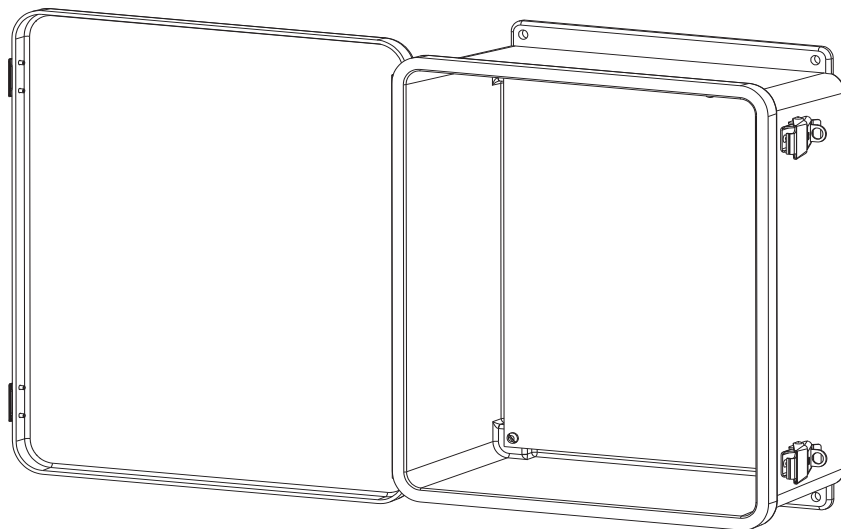


INSTRUCTIONS CM332A

© Panduit Corp. 2008

Contents:

- 1 - Enclosure
- 1 - Aluminum Mounting Plate
- 1 - Mounting Template
- 1 - Hardware Kit
 - (2) Adhesive Mounting Clips
 - (1) RTV Silicone Sealant Pack
 - (6) # 10-32 x 3/8" Screws
 - (2) # 6-32 x 1/4" Screws
 - (1) UTP or STP *MINI-COM* TX6 Plus Jack Module
 - (1) 2 Position Surface Mount Box
 - (2) UTP or STP 2' CAT 6 Patch Cord
 - (4) Cable Ties

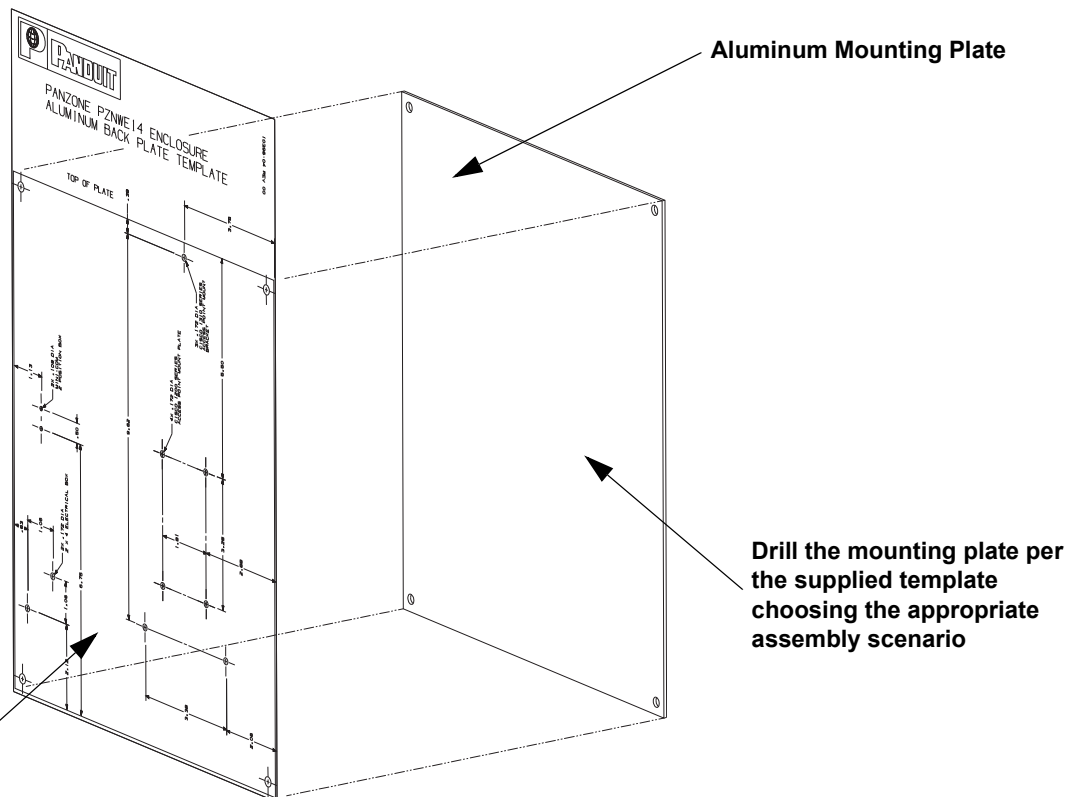


PZNWE14 (Shown Open)

Note: Installer should use the following assembly instructions as a guideline to mount desired Wireless Access Point (WAP), External Antennas, and Powering Device. In the following instructions a *CISCO AIRONET* AIR-AP1242AG-x-K9, *CISCO AIRONET* AIR-AP1252A6-x-K9, and a *CISCO AIRONET* AIR-AP1310G-x-K9 WAP are shown being installed, however any similar sized WAP with external antennas can be installed in a similar manner.

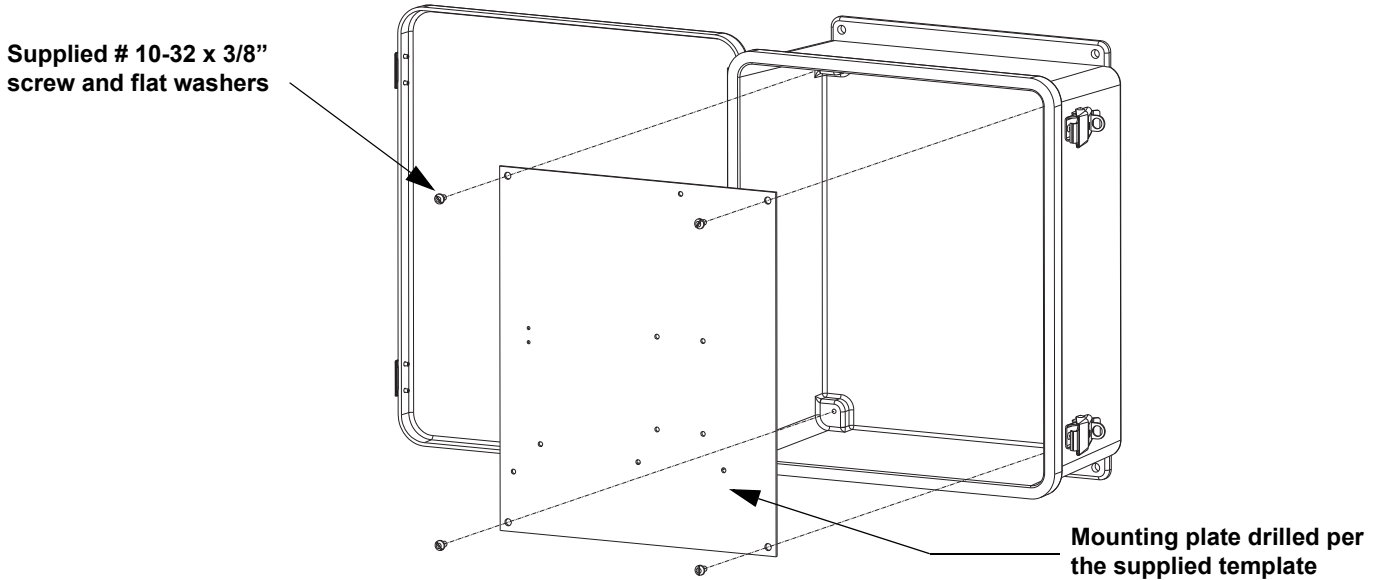
Assembly Instructions:

1. Use the supplied Mounting Template as a guide to locate the hole locations required on the Aluminum Mounting Plate. The supplied template reflects the use of a *CISCO* 1200 series or 1300 series wireless access point using a 2" x 4" electrical box for power supply.



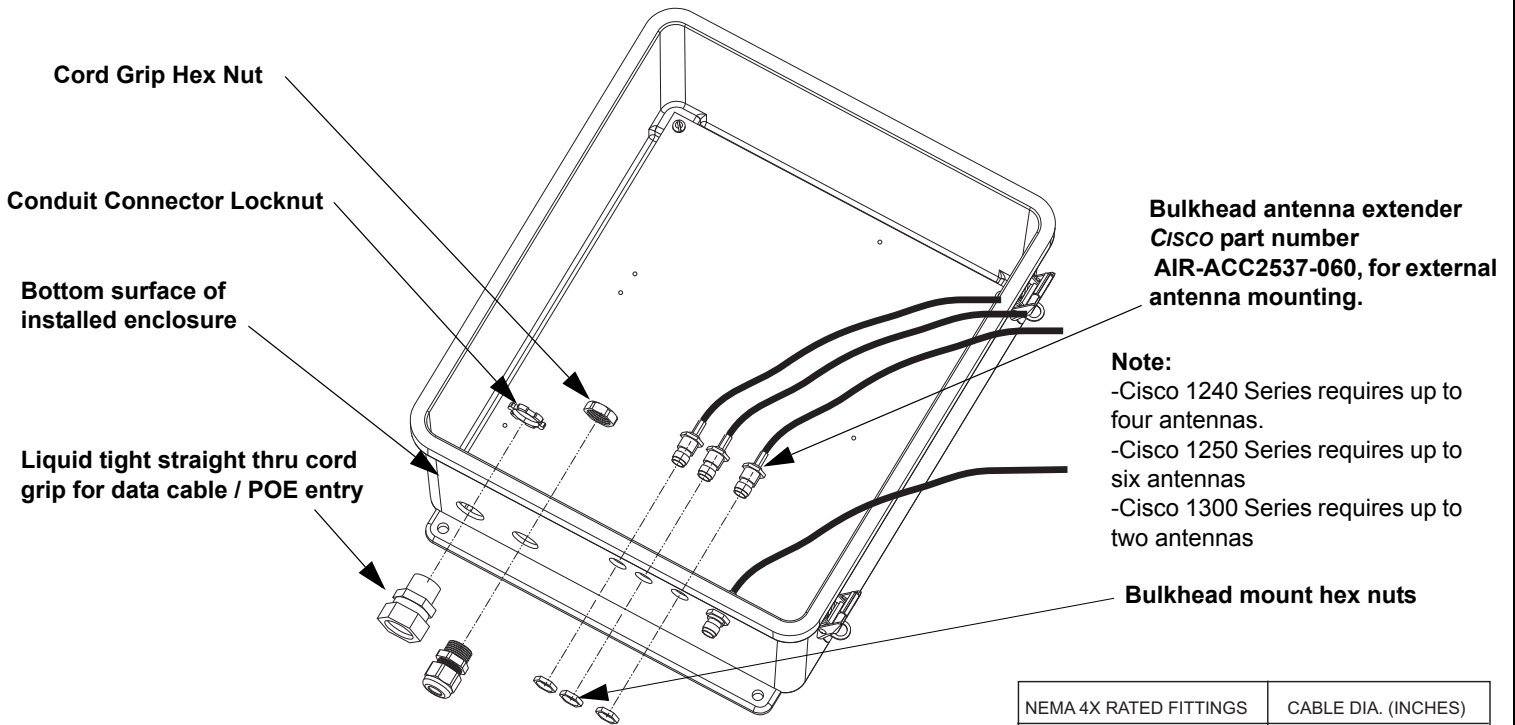
INSTRUCTIONS CM332A

2. Attach the Mounting Plate to the enclosure to with the supplied #10-32 x 3/8" screws and washers.



Installing Cisco 1240 and 1250 Series wireless access point

3. Install a straight liquid tight conduit connector in line with the electrical box mount location
4. For incoming cables install a cord grip such as *PANDUIT* part number **PZNF2** or conduit fitting on the bottom surface of the enclosure in line with supplied surface mount box. Apply RTV silicone to the surface of the collar, of the e-collar and of the cord grip O-ring to maintain a liquid tight seal.



5. Install a bulkhead antenna extender, *Cisco* part number AIR-ACC2537-060 to the bottom surface of the enclosure as shown. Apply RTV silicone to the surface of the collar of the extender to maintain a liquid tight seal. The desired mount hole diameter is .53".

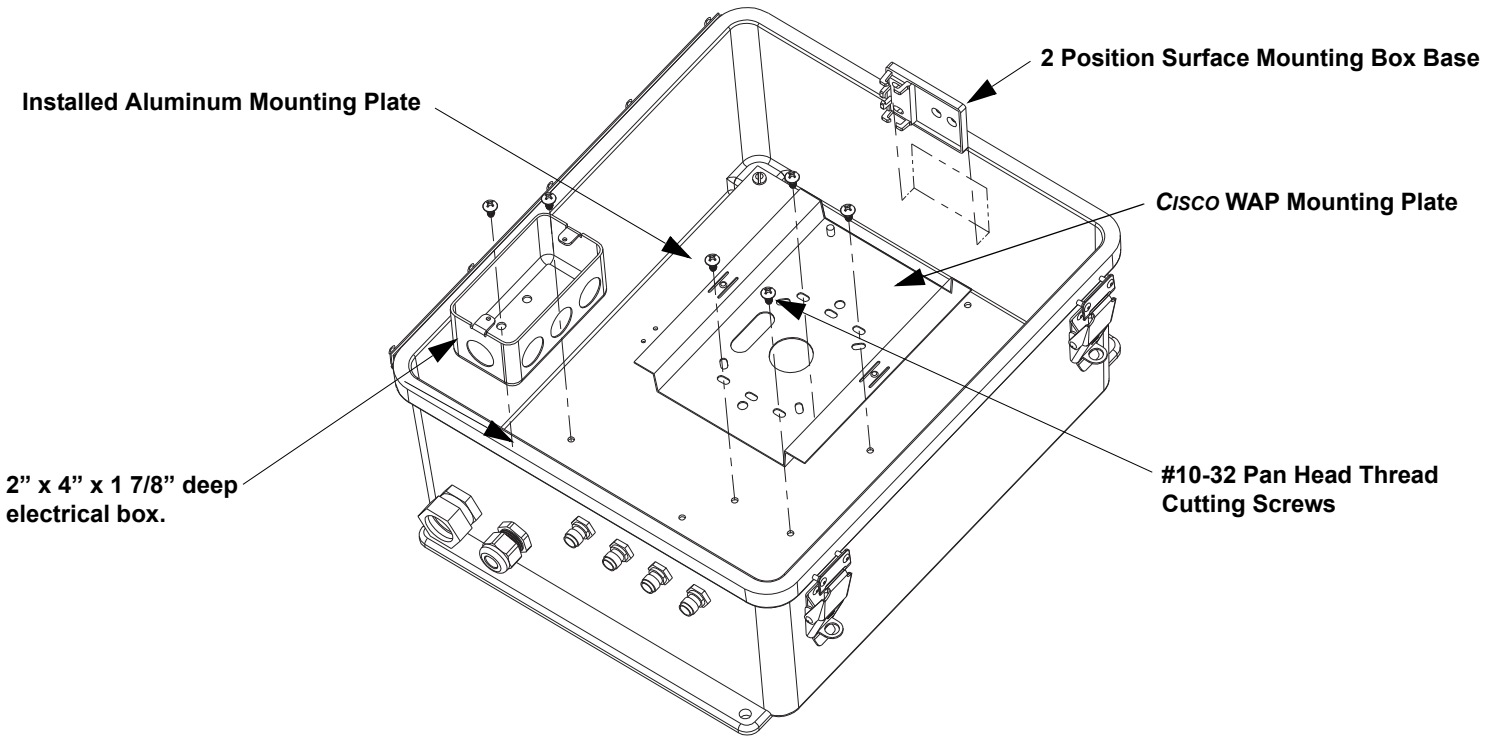
Note: Identify the Cisco Wireless Series you are currently working with before continuing on to the next page.

NEMA 4X RATED FITTINGS	CABLE DIA. (INCHES)
PZNF1	.115" - .250"
PZNF2	.230" - .395"
PZNF3	.170" - .450"

Cisco Wireless Series	Steps
1240 Series	Steps 6 -10
1250 Series	Steps 11-15

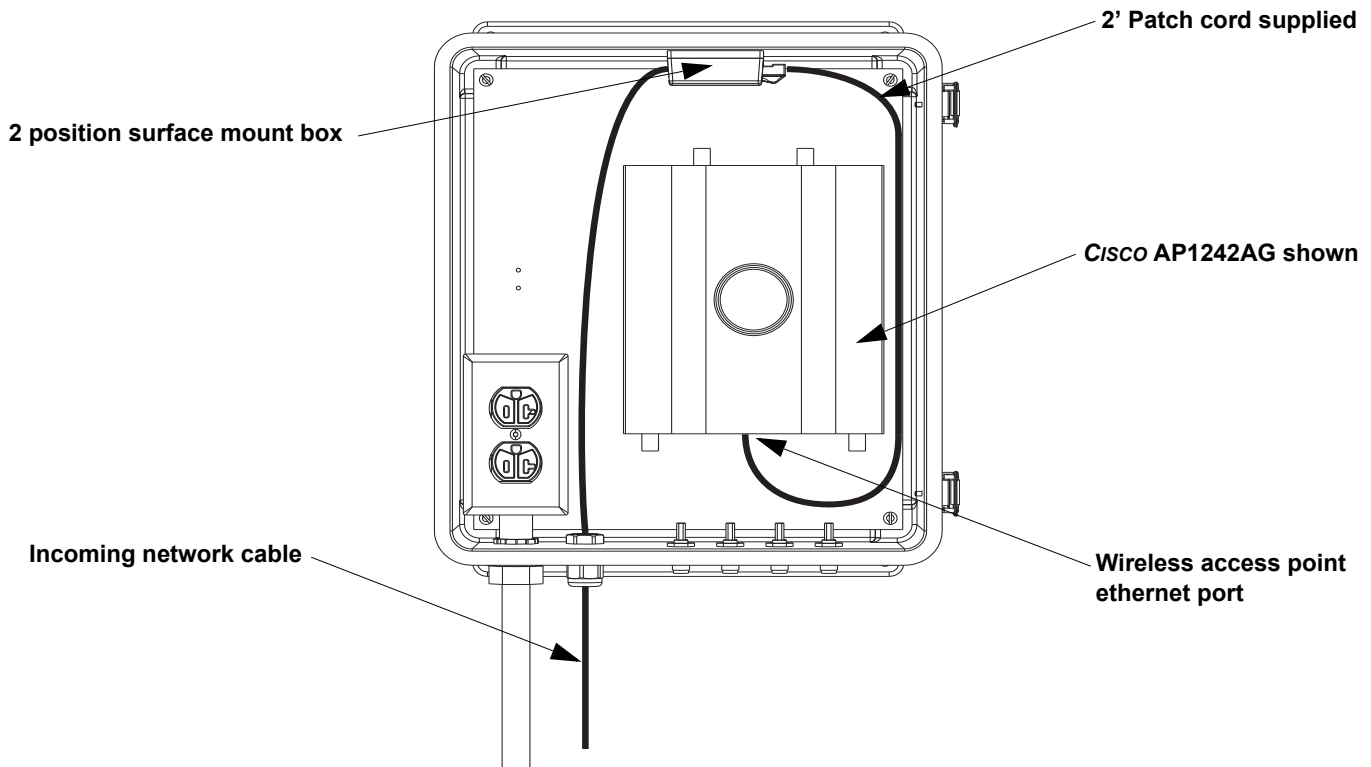
Cisco 1240 Series Instructions

6. Fasten a 2" x 4" electrical box in line with the incoming conduit fitting with the supplied #10-32 thread cutting screws. Fasten the WAP mounting plate to the aluminum mount plate with the supplied #10-32 thread cutting screws,.



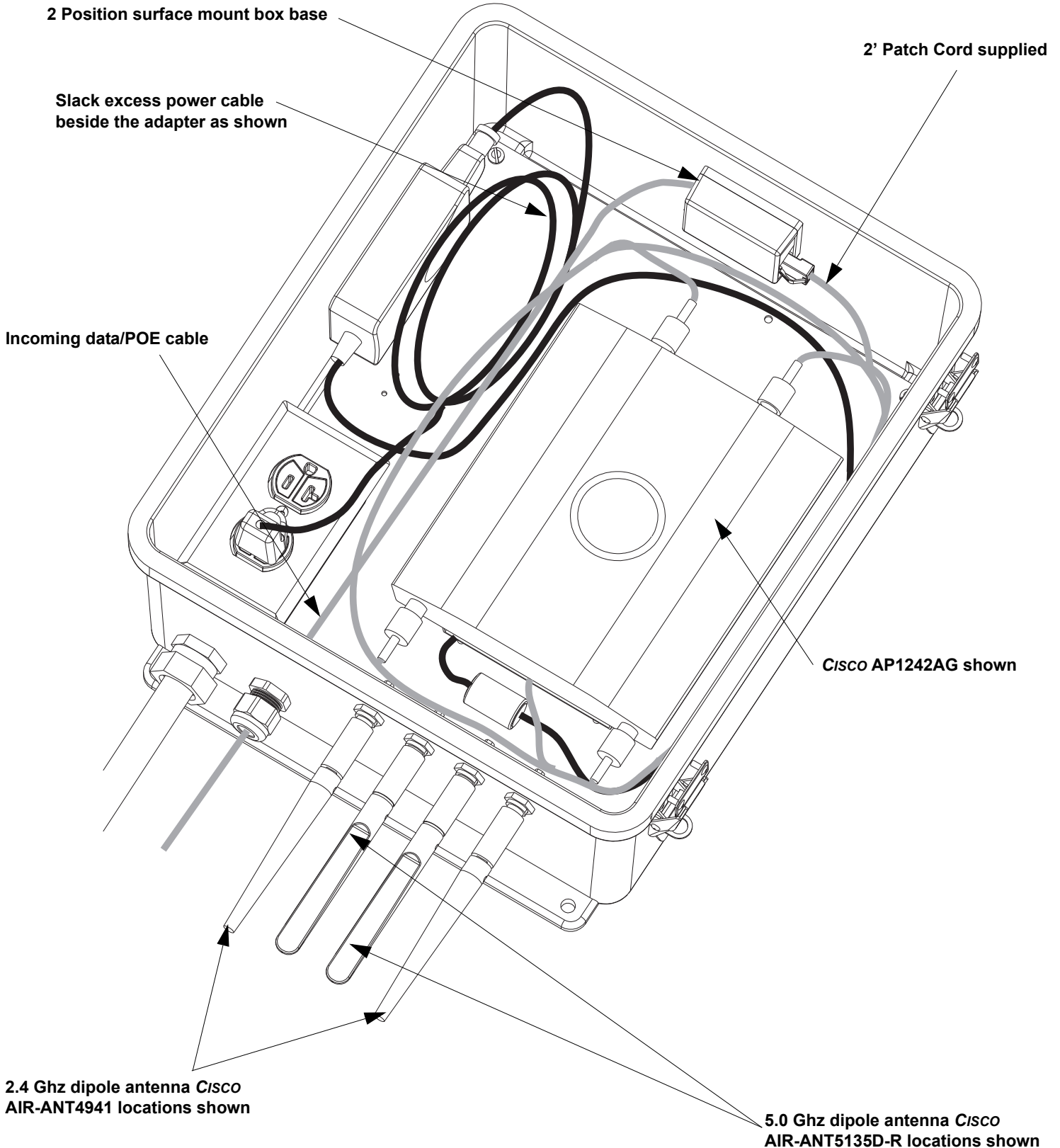
7. Fasten the supplied 2 position surface mount box base the wall of the enclosure as shown using the double sided tape. Alternatively, the base can be mounted to the aluminum back plate with the supplied (2) #6-32 flat head thread cutting screws.

8. Run the network cable into the enclosure and terminate to the *MINI-COM* TX6 jack module installed in the surface mount box. Insert one end of the 2' patch cord supplied into the opposite end of the jack module and route to the wireless access point RJ45 port as shown.



INSTRUCTIONS CM332A

9. The *Cisco* AC power adapter supplied with the wireless access point can be located as shown, providing power to the wireless access point. Slack the excess cable beside the adapter as shown.
10. Attach the required external antennas to the bulkhead fittings installed on the bottom surface of the enclosure. Wrap the excess bulkhead cable slack around the mounted wireless access point.

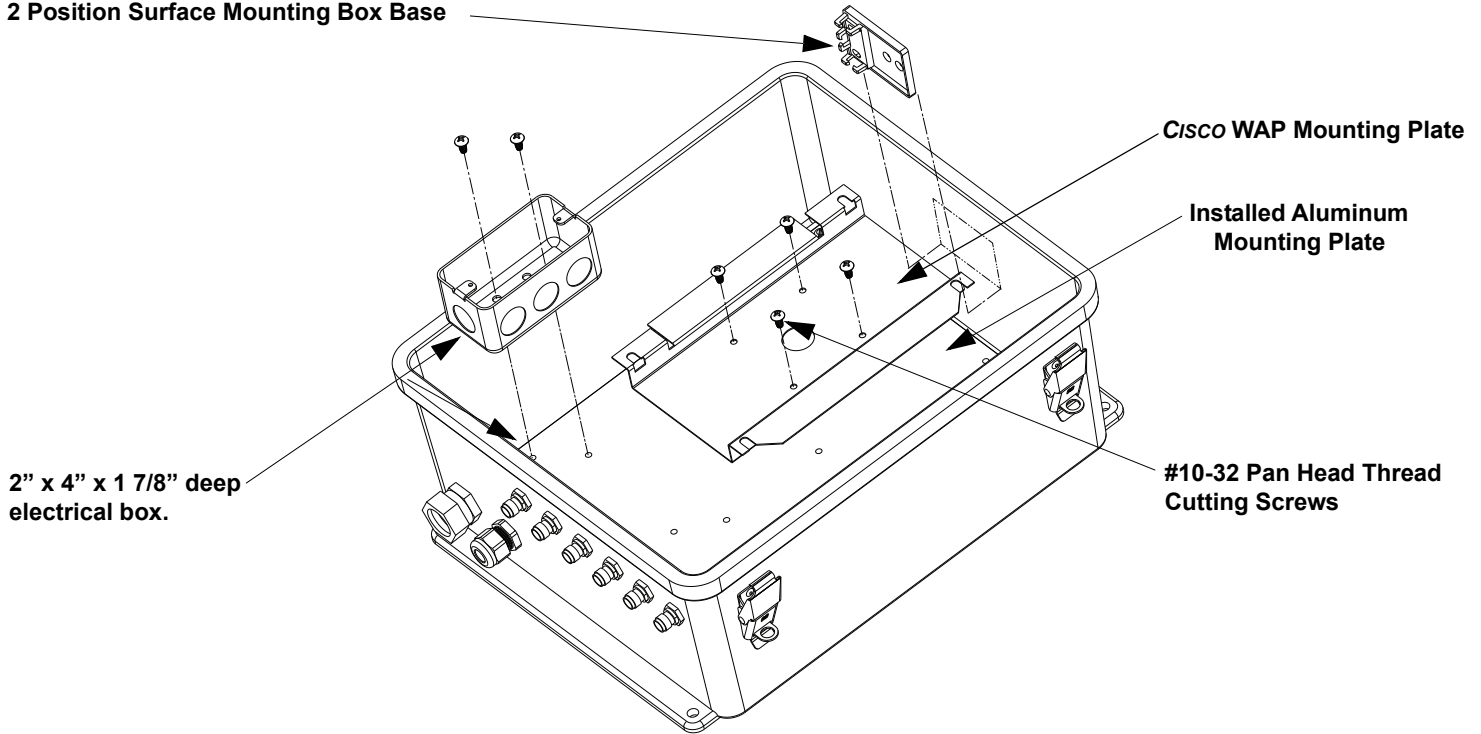


For Technical Support: www.panduit.com/resources/install_maintain.asp

Cisco 1250 Series Instructions

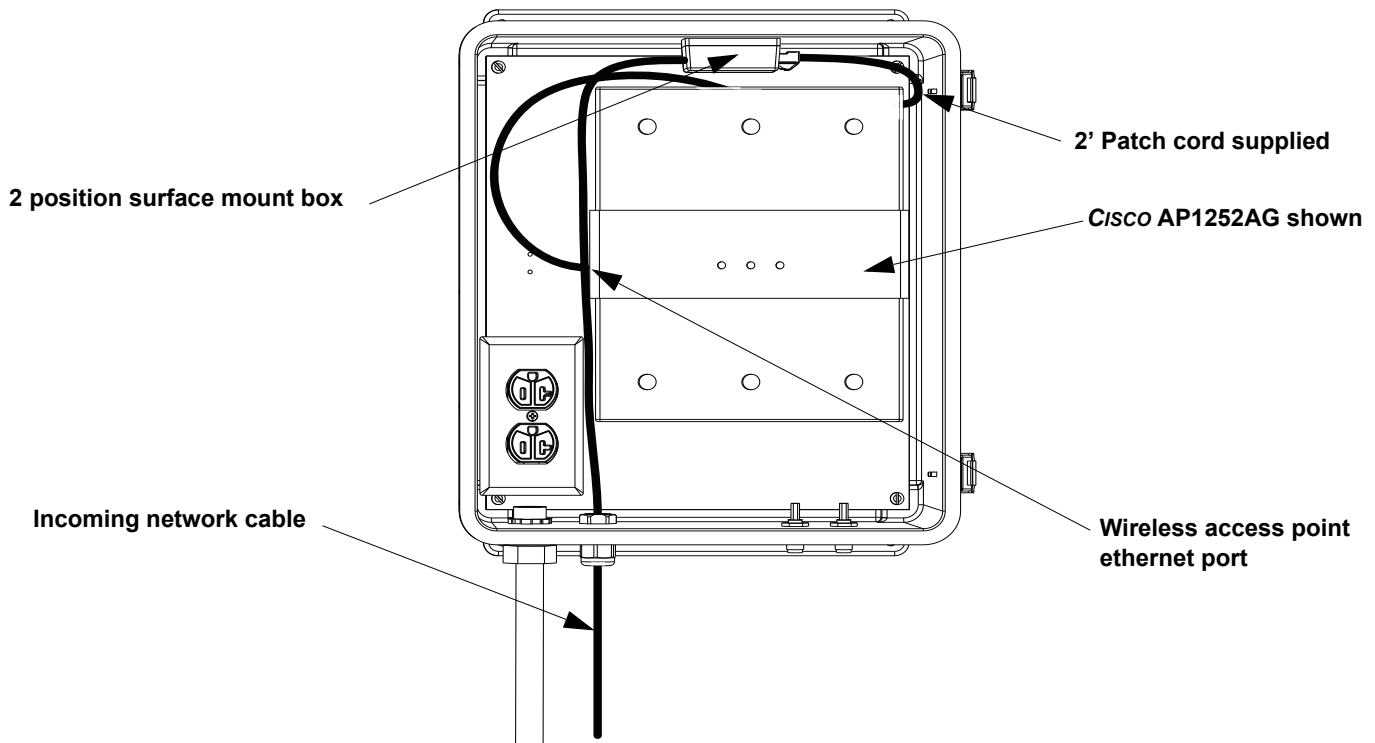
11. Fasten a 2" x 4" electrical box in line with the incoming conduit fitting with the supplied #10-32 thread cutting screws. Fasten the WAP mounting plate to the aluminum mount plate with the supplied #10-32 thread cutting screws,.

2 Position Surface Mounting Box Base



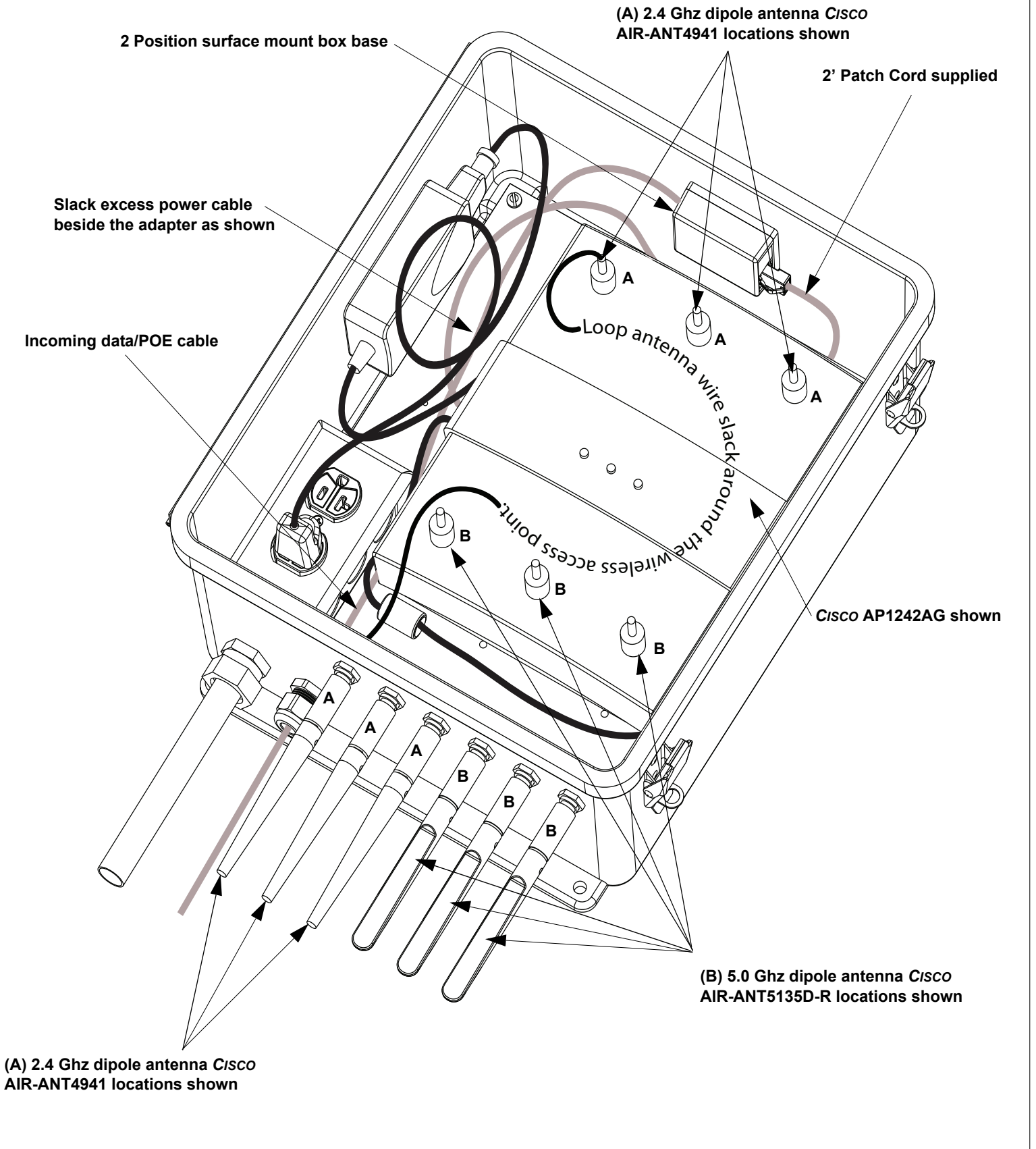
12. Fasten the supplied 2 position surface mount box base the wall of the enclosure as shown using the double sided tape. Alternatively, the base can be mounted to the aluminum back plate with the supplied (2) #6-32 flat head thread cutting screws.

13. Run the network cable into the enclosure and terminate to the *MINI-COM* TX6 jack module installed in the surface mount box. Insert one end of the 2' patch cord supplied into the opposite end of the jack module and route to the wireless access point RJ45 port as shown.



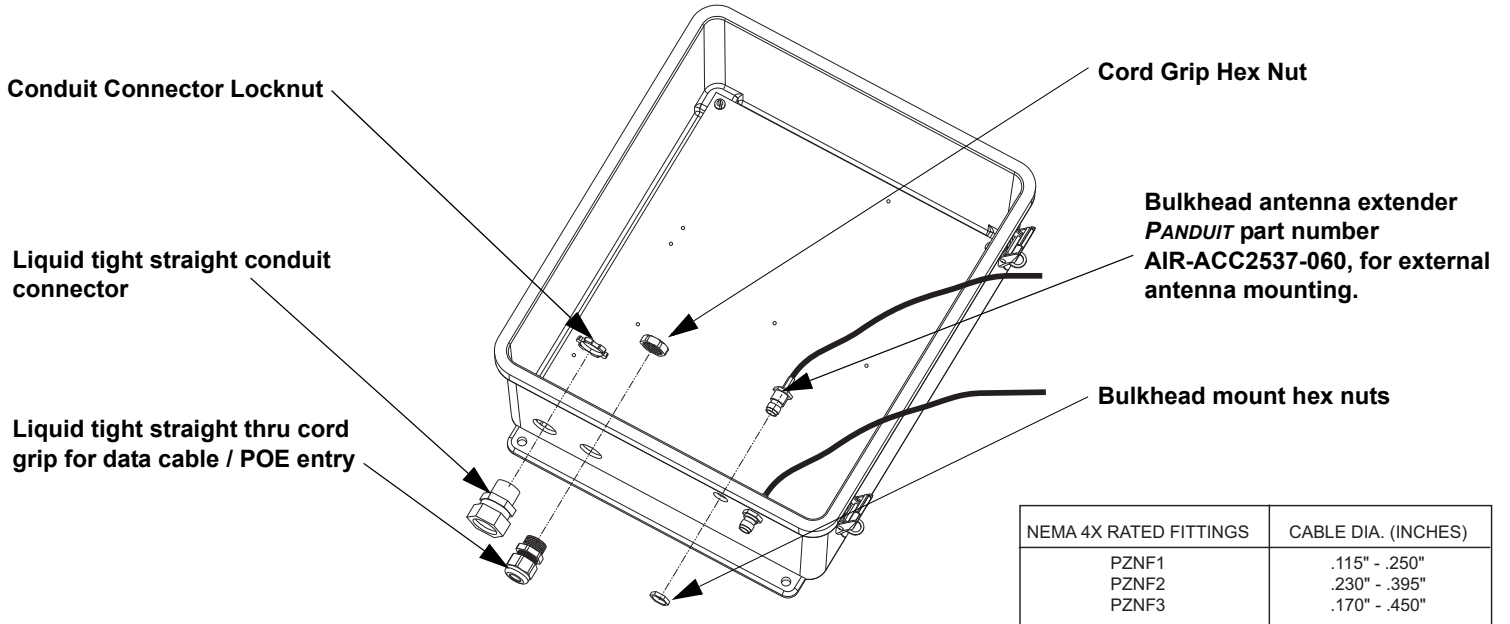
INSTRUCTIONS CM332A

14. The *CISCO* AC power adapter supplied with the wireless access point can be located as shown, providing power to the wireless access point. Slack the excess cable beside the adapter as shown.
15. Attach the required external antennas to the bulkhead fittings installed on the bottom surface of the enclosure. Wrap the excess bulkhead cable slack around the mounted wireless access point.



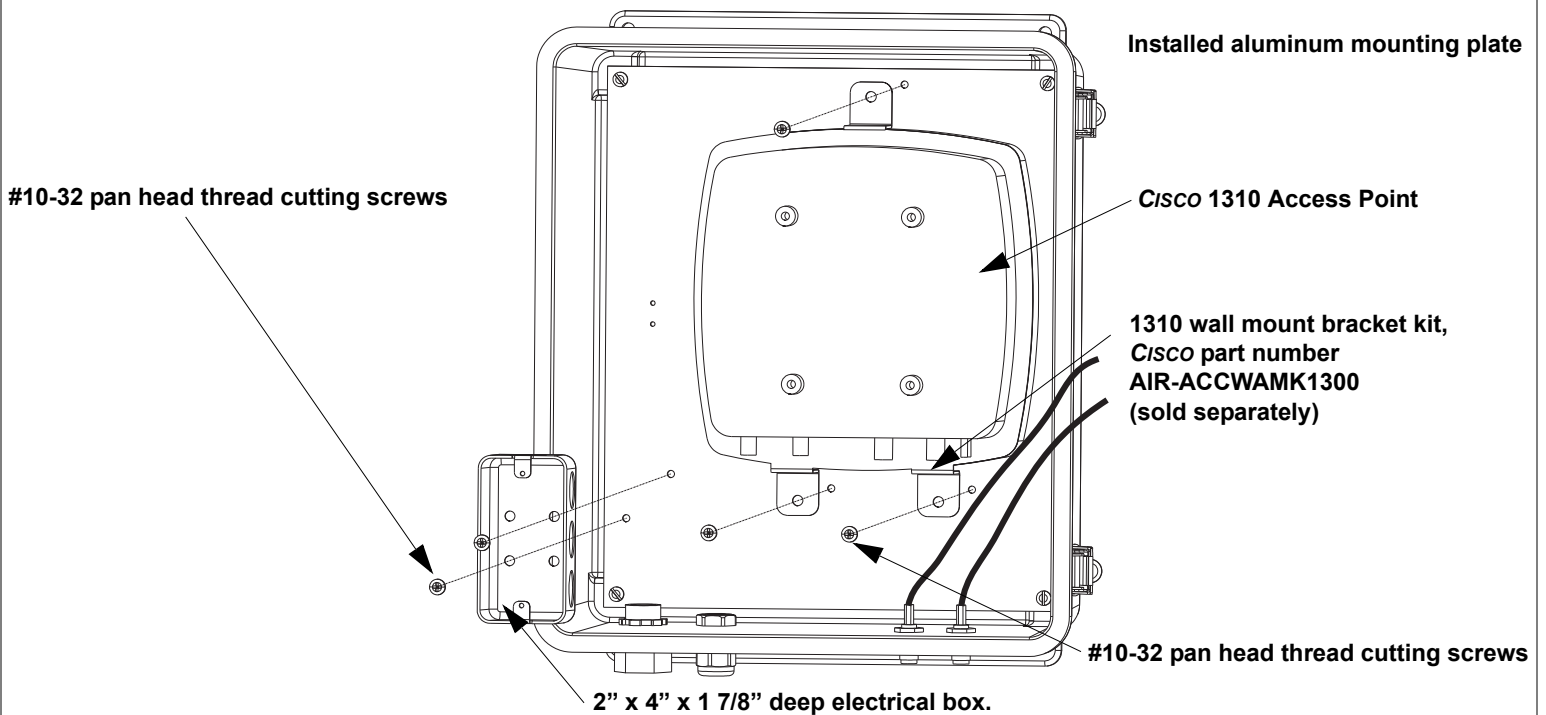
Installing Cisco 1310 Series wireless access point

16. Install a straight liquid tight conduit connector in line with the electrical box mount location.
17. For incoming cables install a cord grip such as *PANDUIT* part number **PZNF2** or conduit fitting on the bottom surface of the enclosure for the data cable entry. Apply RTV silicone to the surface of the collar of the cord grip to maintain a liquid tight seal.



18. Install a bulkhead antenna extender, *Cisco* part number AIR-ACC2537-060 to the bottom surface of the enclosure as shown. Apply RTV silicone to the surface of the collar of the extender to maintain a liquid tight seal. The desired mount hole diameter is .53".

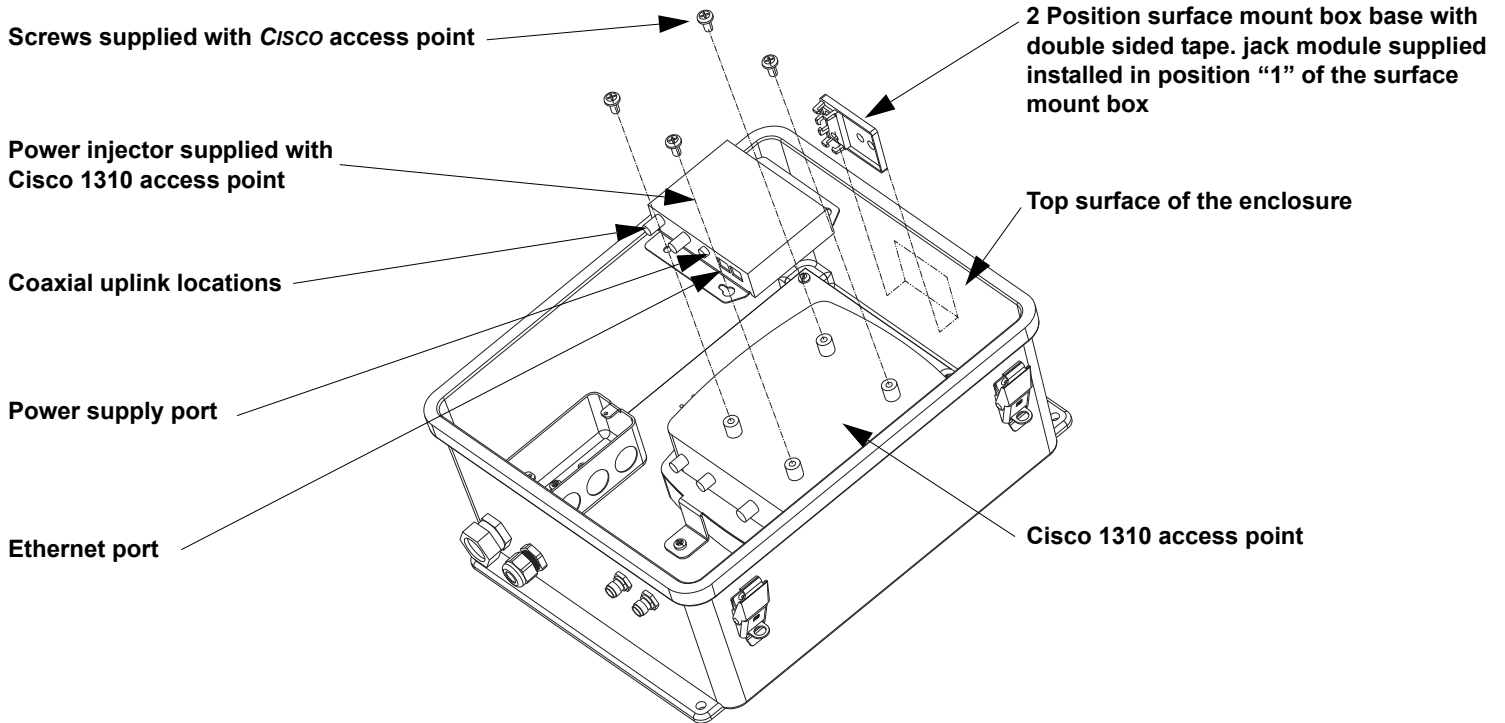
19. Install the wall mount bracket (*Cisco* part number AIR-ACC2AMK1300) to the *Cisco* 1310 WAP as shown in the figure below. Fasten the assembly to the aluminum back plate with the supplied #10-32 thread cutting screws as shown.



20. Fasten a 2" x 4" electrical box to the aluminum mount plate with the supplied #10-32 thread cutting screws, in line with the incoming conduit fitting.

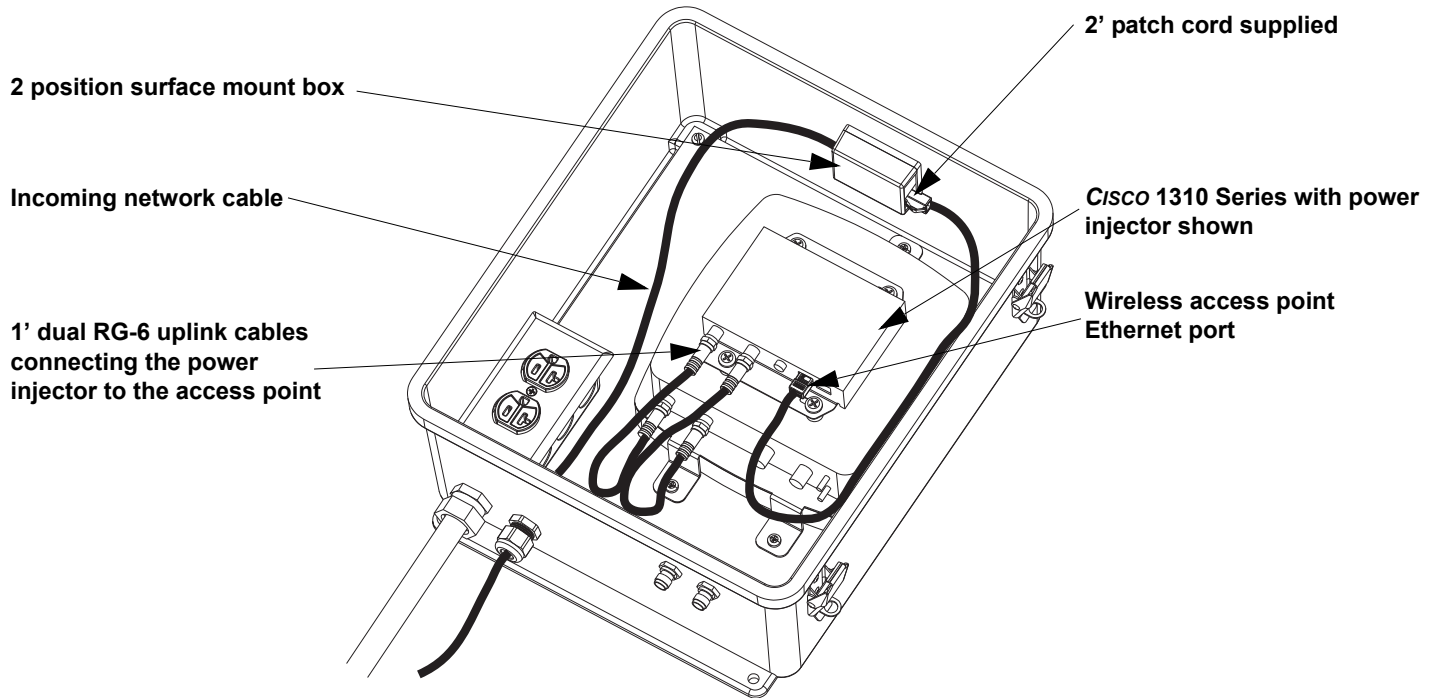
INSTRUCTIONS CM332A

21. Fasten the supplied 2 position surface mount box base the wall of the enclosure as shown using the double sided tape. Alternatively, the base can be mounted to the aluminum back plate with the supplied (2) #6-32 flat head thread cutting screws.



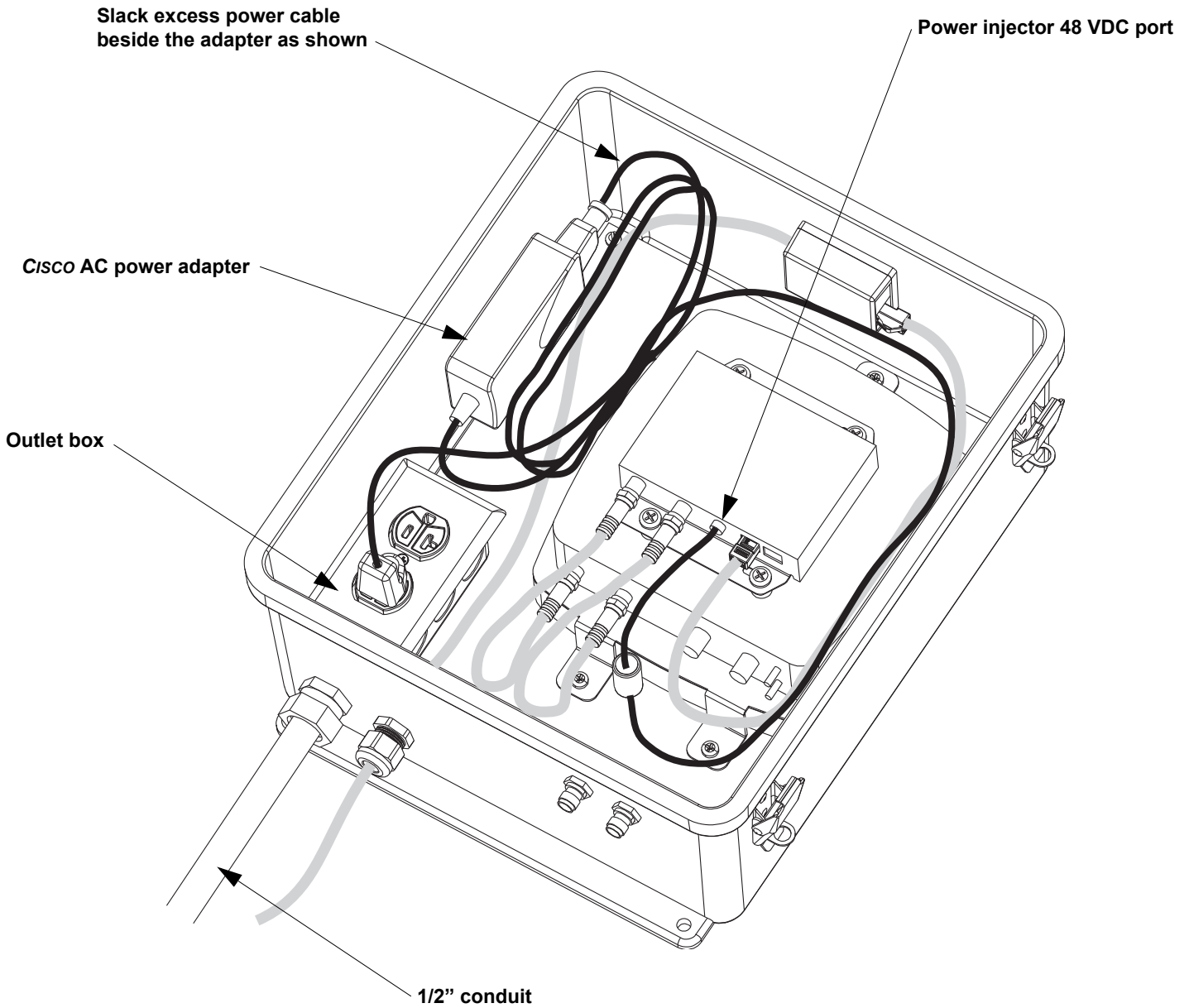
22. Attach the power injector supplied with the access point to the mount studs provided on the WAP. Orientate the injector so that the coaxial uplinks and ethernet port are facing the bottom of the enclosure.

23. Run the network cable into the enclosure and terminate to the jack module installed in the surface mount box. Insert one end of the 2' patch cord supplied into the opposite end of the jack module and route to the wireless access point RJ45 port as shown.

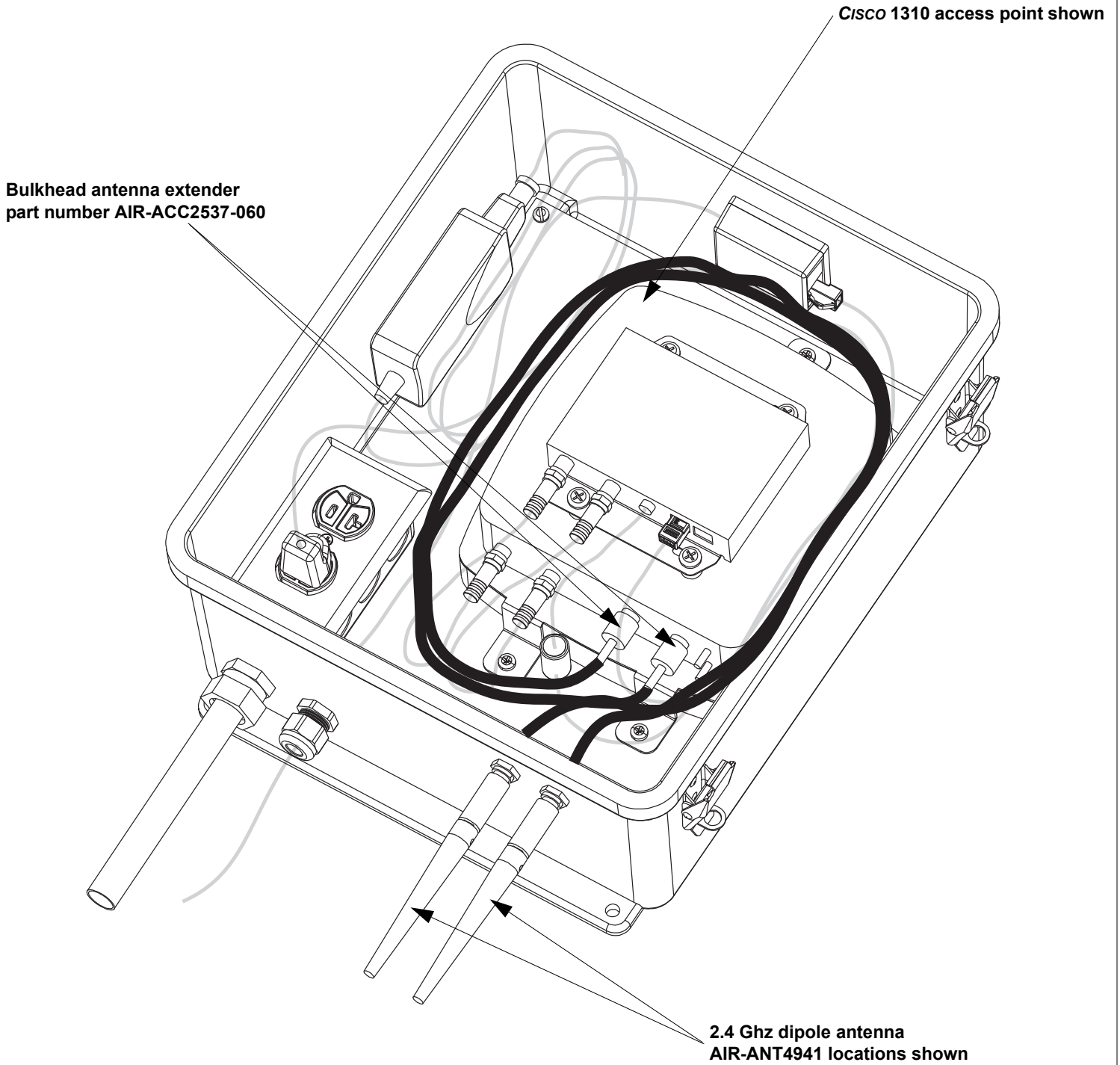


24. Attach the 1' dual RG-6 ethernet uplink cable assembly to the power injector ports and to the corresponding connections on the access point as shown in the figure above.

25. The *CISCO* AC power adapter supplied with the wireless access point can be located as shown, providing power to the power injector. Slack the excess cable beside the adapter as shown.



26. Attach the required external antennas to the bulkhead fittings installed on the bottom surface of the enclosure. Wrap the excess bulkhead cable slack around the mounted wireless access point.



For instructions in Local Languages
and Technical Support:

www.panduit.com/resources/install_maintain.asp



www.panduit.com

E-mail:
cs@panduit.com
Fax:
(708)444-6448