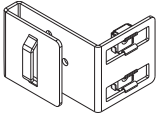


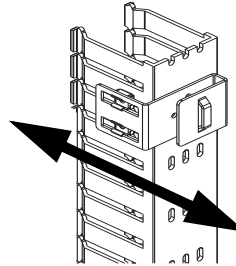
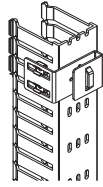
INSTRUCTIONS CM189B

© Panduit Corp. 2004



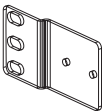
SIDE MOUNT BRACKETS

PART NUMBER	SIZE	APPROX HEIGHT	CABLE DIA.		
			.187	.25	3mm
CWMPV2418	2"W x 4"D x 18RU	31.5"	79	44	200
CWMPV2440	2"W x 4"D x 40RU	71.8"	79	44	200
CWMPV3418	3"W x 4"D x 18RU	31.5"	125	70	315
CWMPV3440	3"W x 4"D x 40RU	71.8"	125	70	315



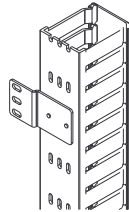
SIDE BRACKET SHOWN MOUNTED FLUSH. SLIDE CAGENUT ALONG SLOT FOR ADDITIONAL ADJUSTMENT.

Removable brackets can be relocated along the duct for more flexibility.



FRONT MOUNT BRACKETS

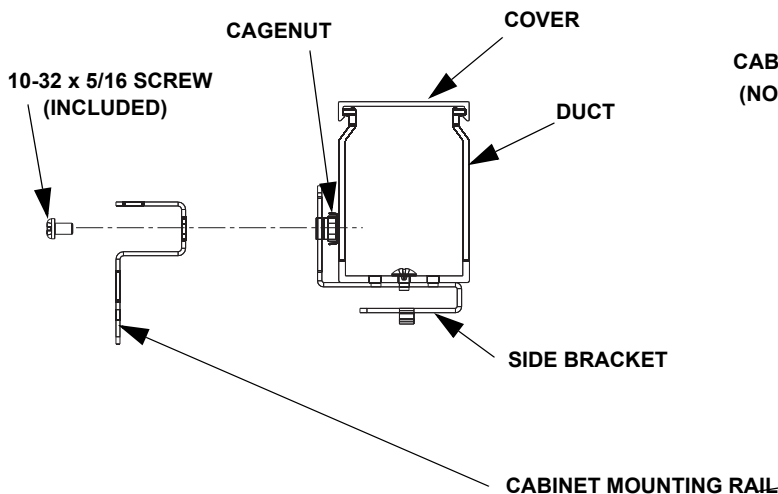
PART NUMBER	SIZE	APPROX HEIGHT	CABLE DIA.		
			.187	.25	3mm
CWMPV2318	2"W x 3"D x 18RU	32"	74	41	185
CWMPV2340	2"W x 3"D x 40RU	70"	74	41	185
CWMPV3318	3"W x 3"D x 18RU	32"	110	61	277
CWMPV3340	3"W x 3"D x 40RU	70"	110	61	277



HORIZONTAL CABLE MANAGEMENT

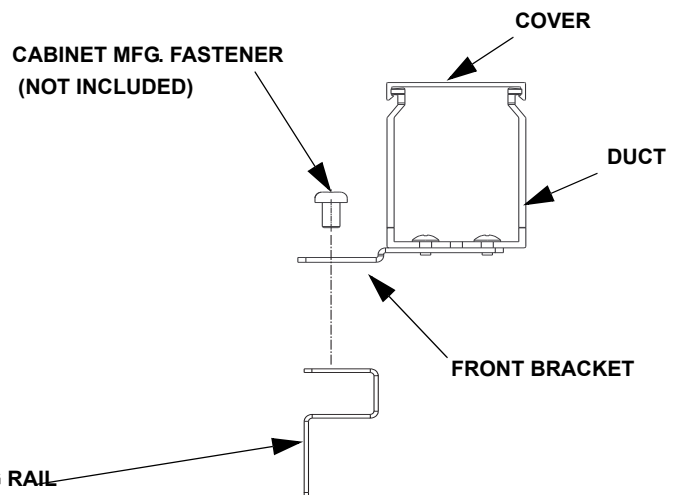
PART NUMBER	CABLE DIA.					
	.187		.25		3mm	
	FRONT	BACK	FRONT	BACK	FRONT	BACK
CWMPH1	24	36	12	18	36	36
CWMPHF1	24		12		36	

SIDE BRACKET ASSEMBLY



Align Side Mount Bracket Assembly to Cabinet Mounting Rail and fasten in place with 10-32x5/16" screw.

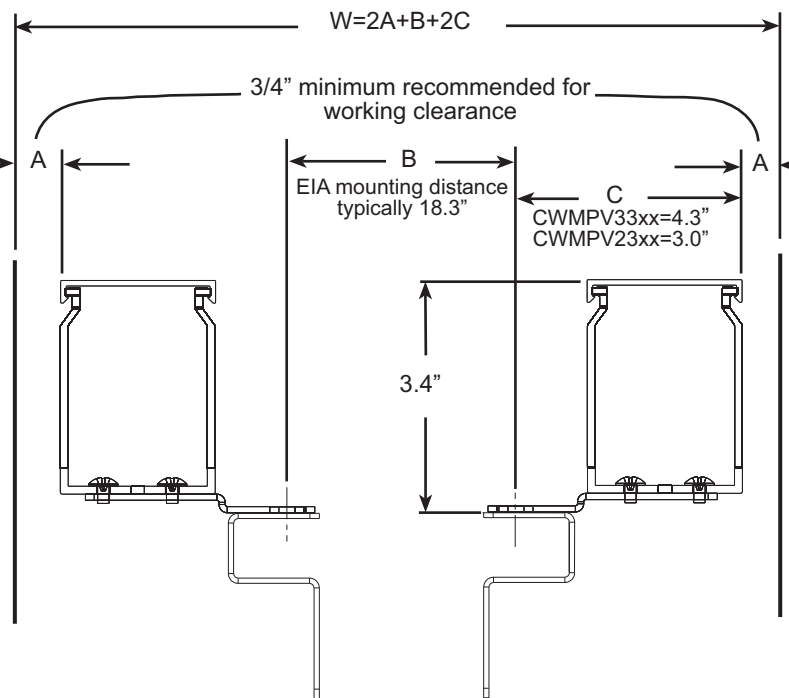
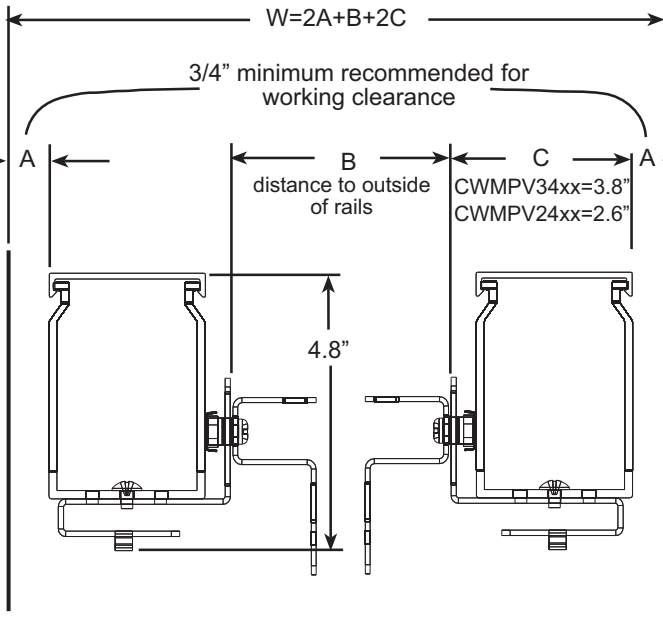
FRONT BRACKET ASSEMBLY



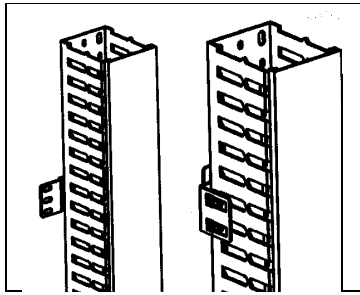
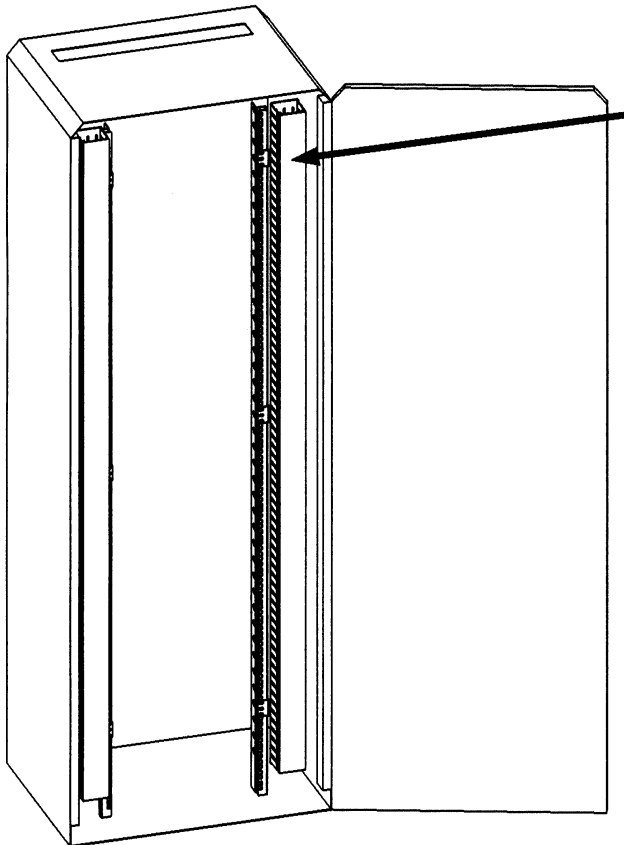
Align Front Mount Bracket Assembly to Cabinet Mounting Rail and fasten in place with Cabinet Manufacturer's fastener.

SIDE MANAGER CABINET WIDTH FORMULA

FRONT MANAGER CABINET WIDTH FORMULA



TYPICAL CABINET INSTALLATION



CABLE BUNDLE SECURED TO THE REAR OF THE MANAGERS USING PANDUIT TAK-TYS

