

INSTALLATION INSTRUCTIONS CM293L

© Panduit Corp. 2010

PART NUMBERS

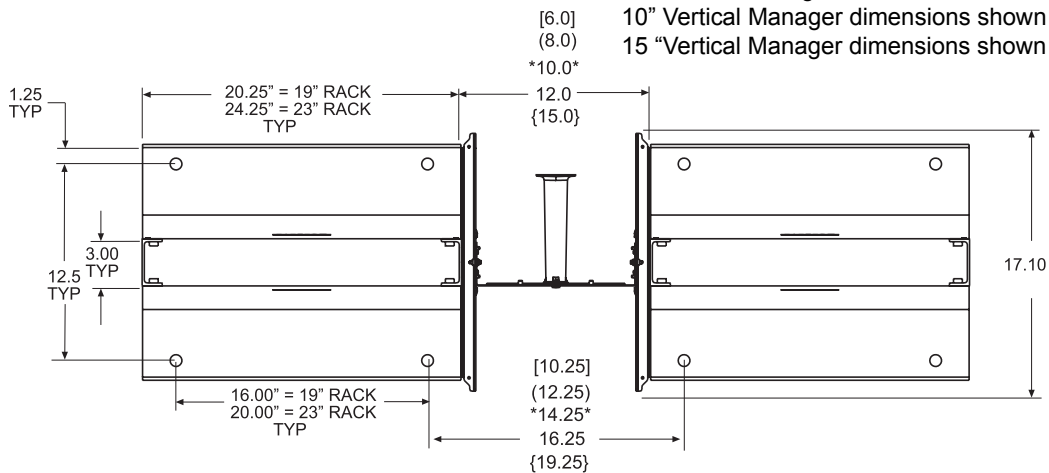
VERTICAL CABLE MANAGEMENT		DUAL HINGED DOORS	SINGLE HINGED DOORS
Dual Sided	Single Sided		
PRV15	PRVF15	PRD15	
PRV12	PRVF12	PRD12	PRSHD12
PRV10	PRVF10	PRD10	
PRV8	PRVF8	PRD8	PRSHD8
PRV6	PRVF6	PRD6	PRSHD6

All PatchRunner Managers and Dual Hinged Doors are available in 96" tall versions (PRV**96, PRVF**96, and PRD**96) **= 6,8,10,12, or 15 inch wide
6 inch and 12 inch wide PatchRunner Managers and Dual Hinged Doors are also available in 79" tall versions (PRV679, PRVF679, PRD679, PRV1279, PRVF1279, PRV1279)

CONTENTS

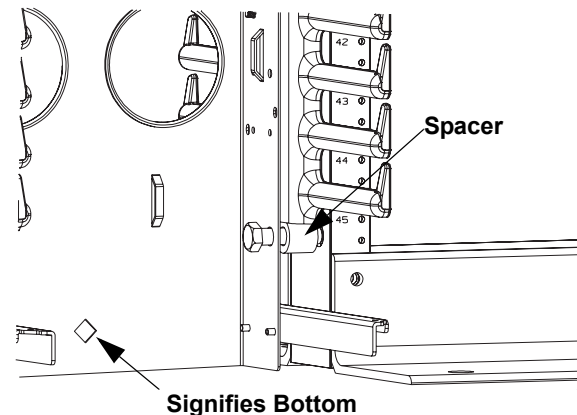
- (1) PATCHRUNNER Vertical Cable Manager
- (6) 1/2-13 Hex Nuts
- (6) 1/2-13x2.0" Bolts
- (12) Washers for 1/2-13 bolts
- (4) Spools
- (2) .91 long 1/2-13 Bolt Spacers
- * Spools sold separately for PRV6 & PRVF6

LOCATION GUIDE - STANDARD EIA RACK



Center Mounting of a PATCHRUNNER on Standard EIA Rack

After the first rack is mounted to the floor with the appropriate hardware, **Use Three 1/2-13x2.0" bolts** (supplied with the vertical cable manager panels) to fasten the PATCHRUNNER Vertical Cable Manager to the rack. Next, mount the second rack to the other side of the PATCHRUNNER Vertical Cable Manager using the remaining 1/2-13x2.0" bolts. Then mount the second rack to the floor using the appropriate hardware.

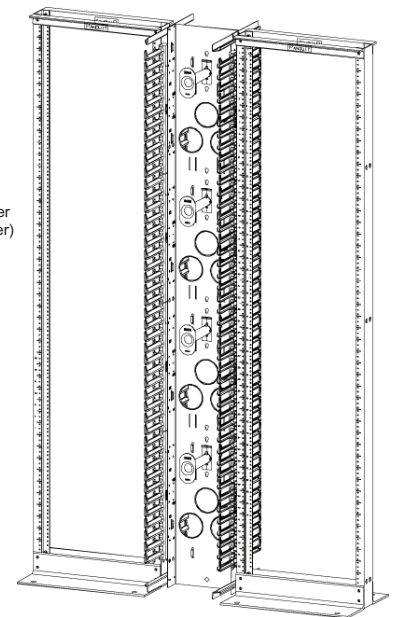


Top Location Bolt
(For Front Only & Front & Rear Manager)

Middle Location Bolt
(For Front Only Manager & Front & Rear Manager)

Bottom Location Bolt and Spacer
(For Front Only Manager)
Bolt
(For Front & Rear Manager)

Recommended bolt placement for mounting manager to rack channel.

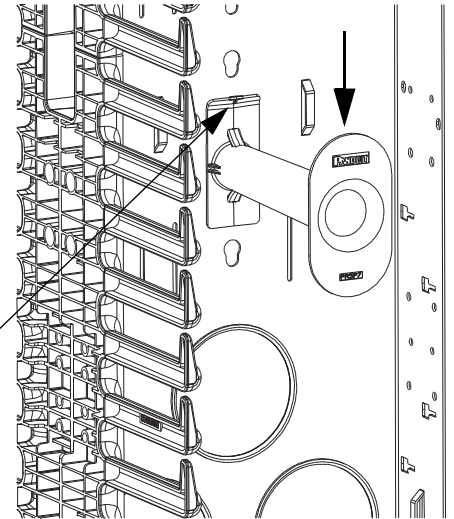
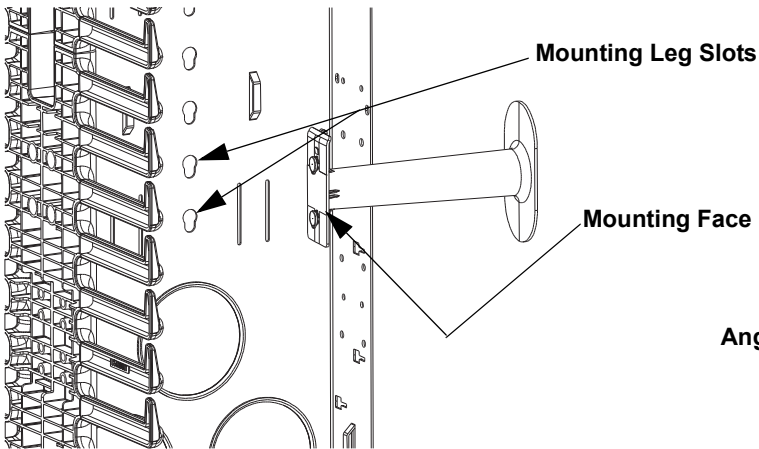


Note:
Tighten bolts to 120 lbs.-in.

INSTALLATION OF SPOOLS

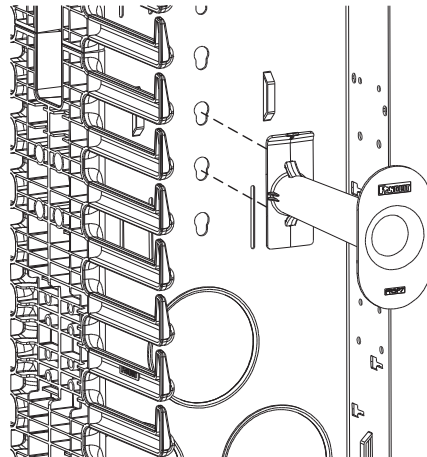
Step 1

Align buttons with mounting leg slot



Step 2

Push buttons through backbone until mounting face is flush with backbone.



Step 3

Apply downward pressure until plastic spool clicks into place.

Removal/Replacement

Step 4

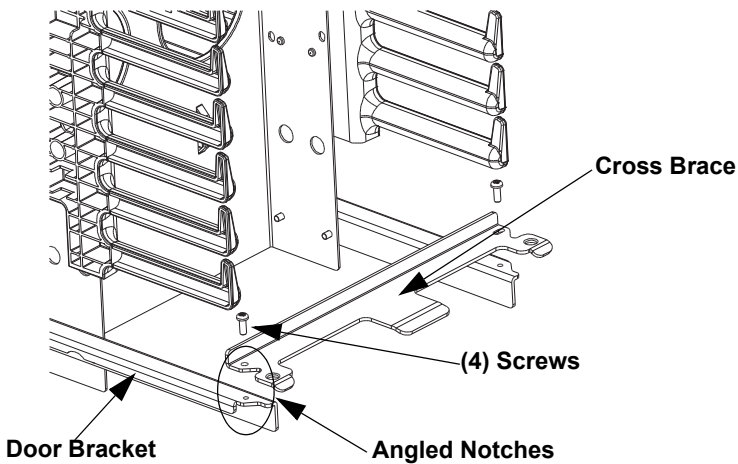
Pull back on angled flange while applying upward pressure

Step 5

Repeat steps 1-3

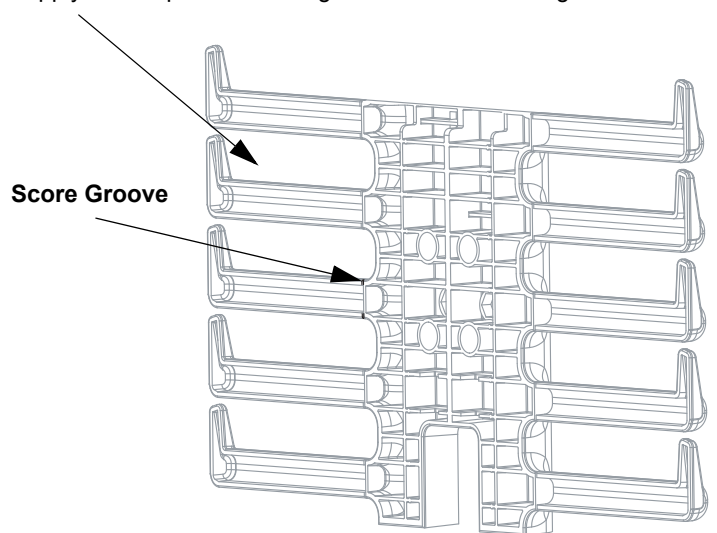
DUAL HINGED DOOR BRACKET INSTALLATION

Attach cross braces with #10-32 screws to door bracket as shown in picture below. Align angled notch on cross brace with angled notch on door bracket when tightening screws.



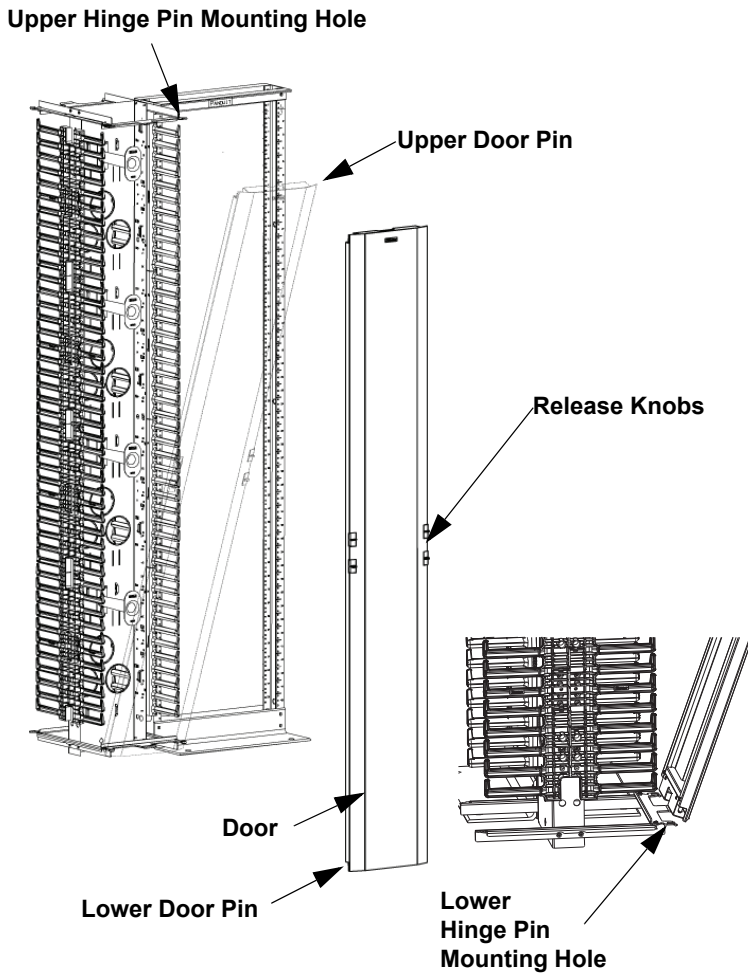
FINGER REMOVAL

Apply inward pressure at finger ends to remove finger



DUAL HINGED DOOR INSTALLATION

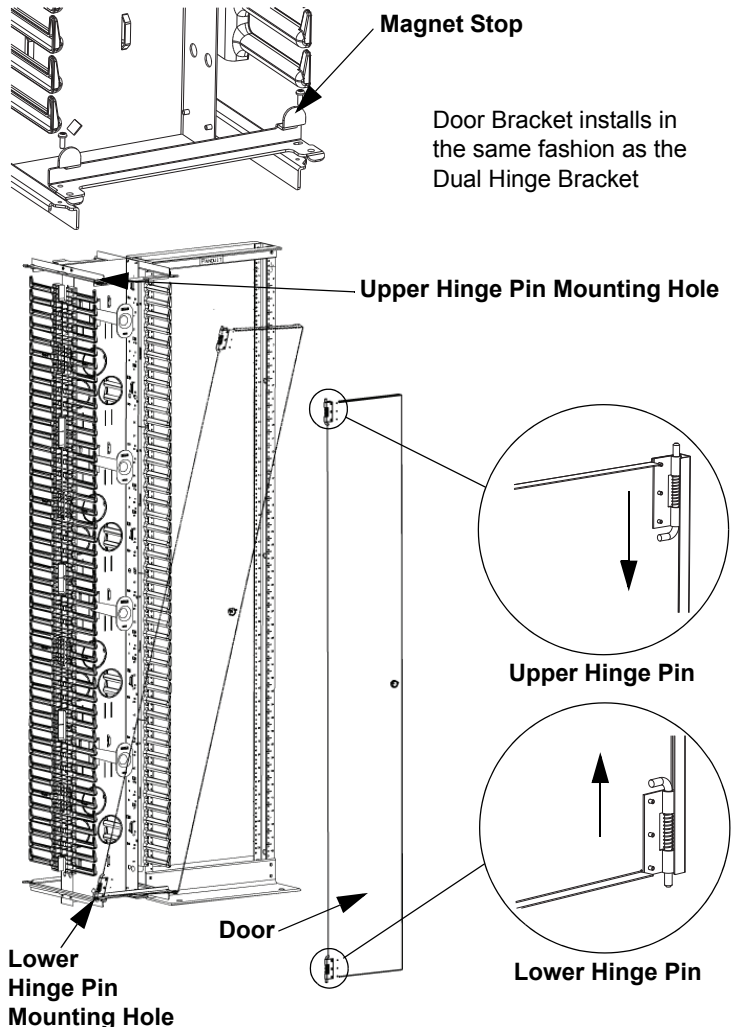
Align lower pins with lower hinge pin mounting holes. Squeeze release knobs together, then align upper door pins with upper hinge pin mounting holes. Release pressure on the release knobs to set door in place.



Note: For cleaning *PANDUIT* recommends using 'SIMPLE GREEN' all purpose cleaner (or local equivalent) and a lint free cloth

SINGLE HINGED DOOR INSTALLATION

Align lower door pin with lower hinge pin mounting hole. Then align upper door pin with upper hinge pin mounting hole pull down on pin and insert it into the mounting hole. Door can be hinged to the right or left by reversing top and bottom.

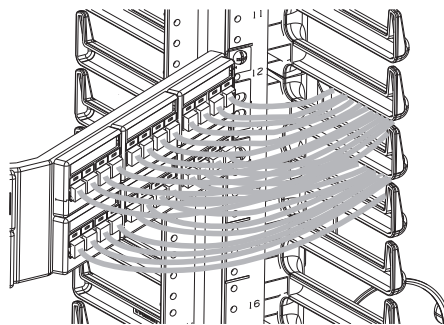


Note: For cleaning *PANDUIT* recommends using 'SIMPLE GREEN' all purpose cleaner (or local equivalent) and a lint free cloth

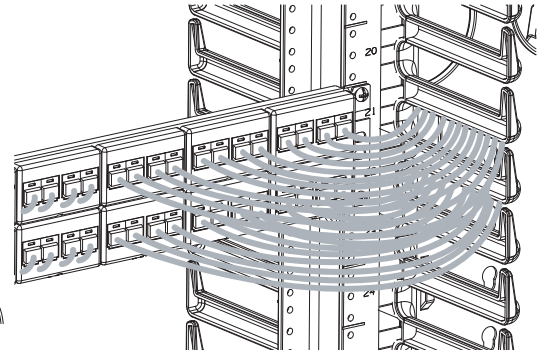
ROUTING CABLE

Patch Panels Through *PATCHRUNNER* Vertical Cable Manager

Route cables through fingers of *PATCH-RUNNER* Vertical Manager maintaining cable bend radii. Use a slot on the *PATCH-RUNNER* Vertical Cable Manager that is the same height as the patch panel. Proper routing for angled patch panel and flat patch panel shown below.



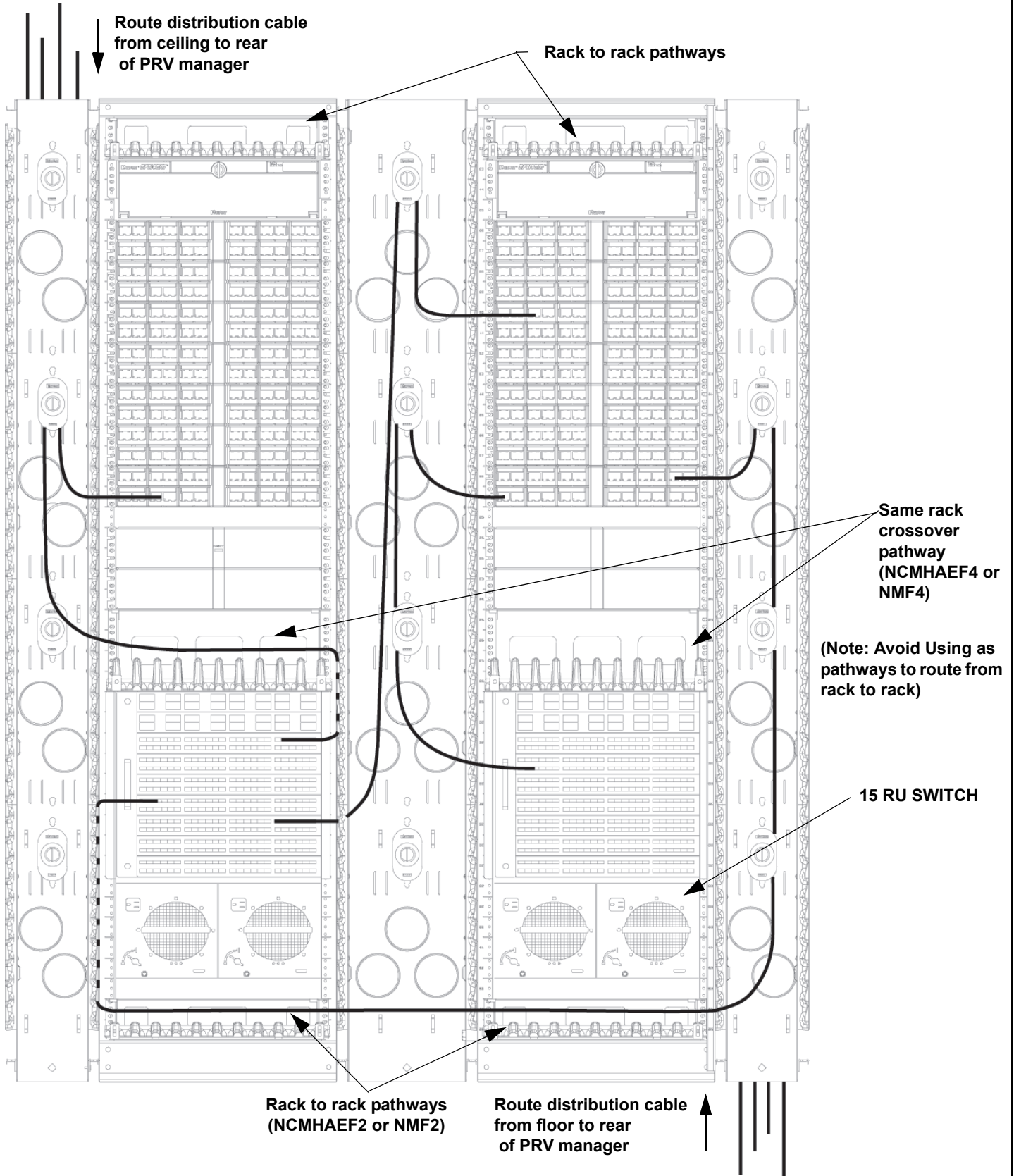
Angled Patch Panel Detail



Flat Patch Panel Detail

EXAMPLES OF ROUTING PATCH CORD SLACK

Note: For additional information reference CD routing guidelines SA-RKCD01



For instructions in Local Languages and Technical Support:

www.panduit.com/resources/install_maintain.asp

PANDUIT[®]

www.panduit.com

E-mail: cs@panduit.com
Fax: (708)444-6448