



PUNCHDOWN TOOL PANDUIT PART NUMBERS

GIGA
110

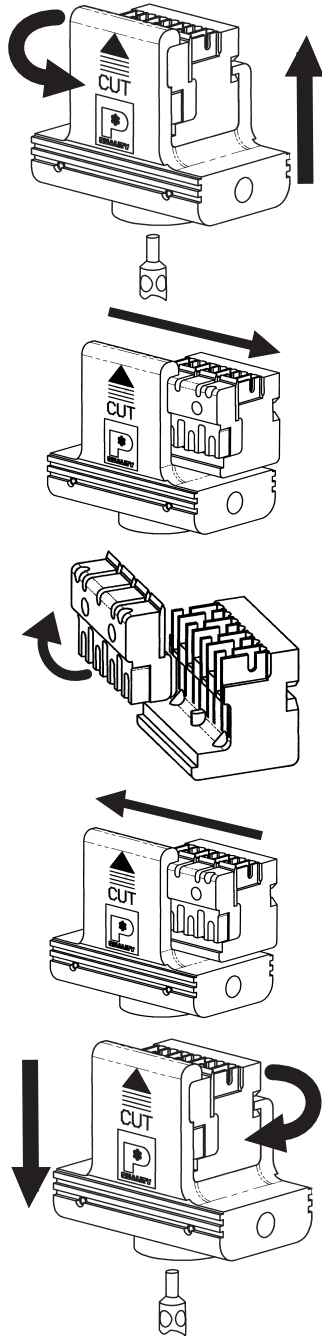
TOOL
GPDTM
PDT110M

HEAD
GPDTMH
PDH110M

BLADE
GPDTMB
PDB110M

INSTALLATION INSTRUCTIONS

GIGA



STEP 1

Twist and pull head from tool shaft.

STEP 2

Slide assembly out of tool head.

STEP 3

Rotate the cutting blades 180° and place back into position.

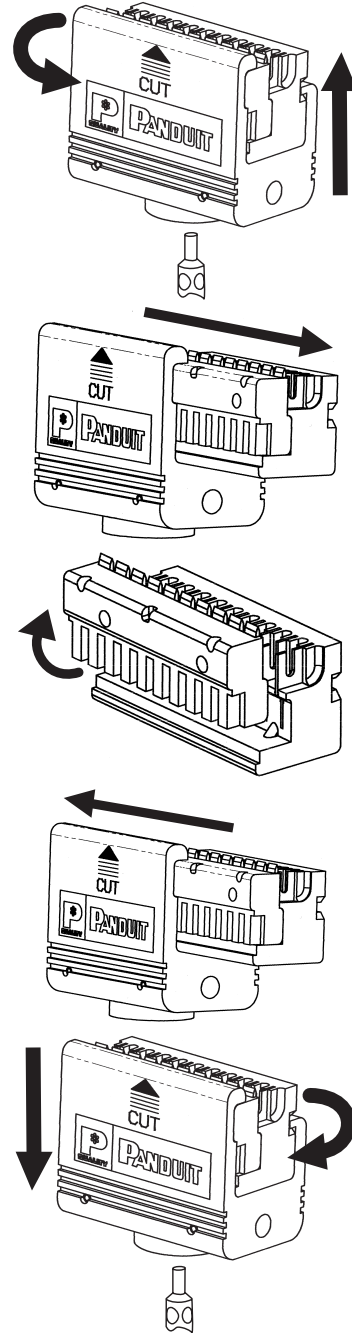
STEP 4

Slide the assembly back into the tool head.

STEP 5

Twist and snap tool head onto shaft and rotate head into locked position.

110



For Technical Assistance call: 888-506-5400, Ext. 6914



10500 West 167th Street
Orland Park, IL 60467
Phone: 888-506-5400, ext. 6914

Fax: 708-460-2897
Email: info@panduit.com
Website: www.panduit.com