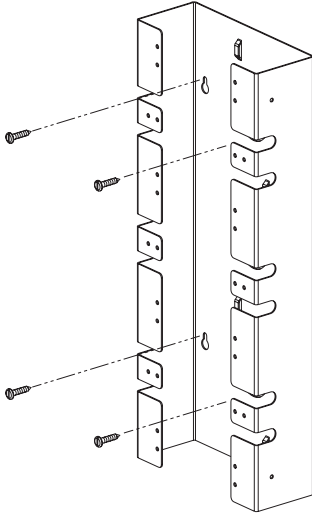


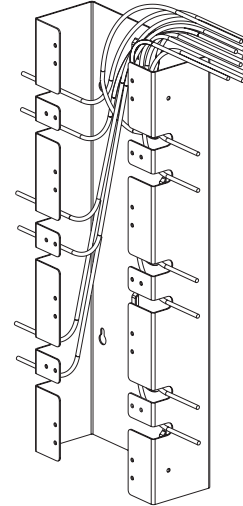
**CABLE REQUIREMENT:** Terminates most 22-26 AWG solid or stranded IWC wire with a .050" (1.27mm) max. o.d., either PVC or Plenum rated.

**NOTE: 72-PORT TOWER SHOWN.**

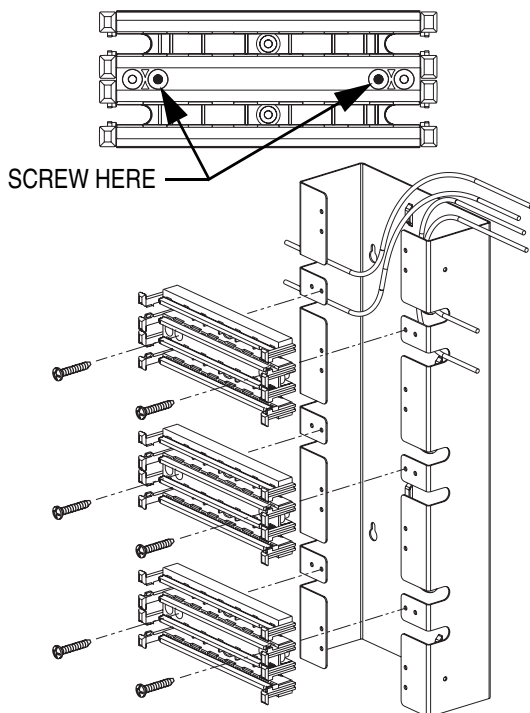
1. Mount tower to wall using #12 wood screws (not provided) or equivalent. Some applications will require different mounting hardware. Ensure that the bottom of the tower is at least 8" from the floor to provide space for horizontal cable manager trough.



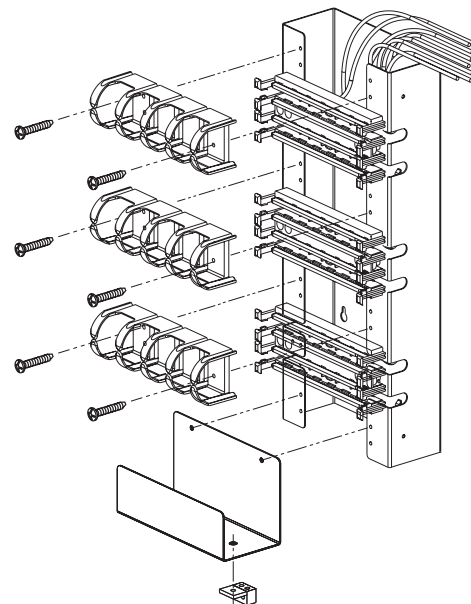
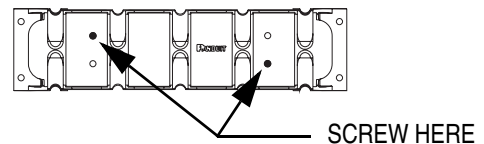
2. Route cable bundle into tower and fan out individual cables into their appropriate positions through the cutouts provided along the tower leaving 12" to 18" of slack. Each cutout accommodates up to 6, 4 pair cables. Use cable ties to secure bundle to raised tabs on back of tower.



3. Position base over slots in tower and secure with two #12 sheet metal screws (supplied). Place conductors into index strip and install connecting blocks as per instruction sheet PN153\* (provided).



4. Install jumper troughs between bases with two #12 sheet metal screws (supplied).

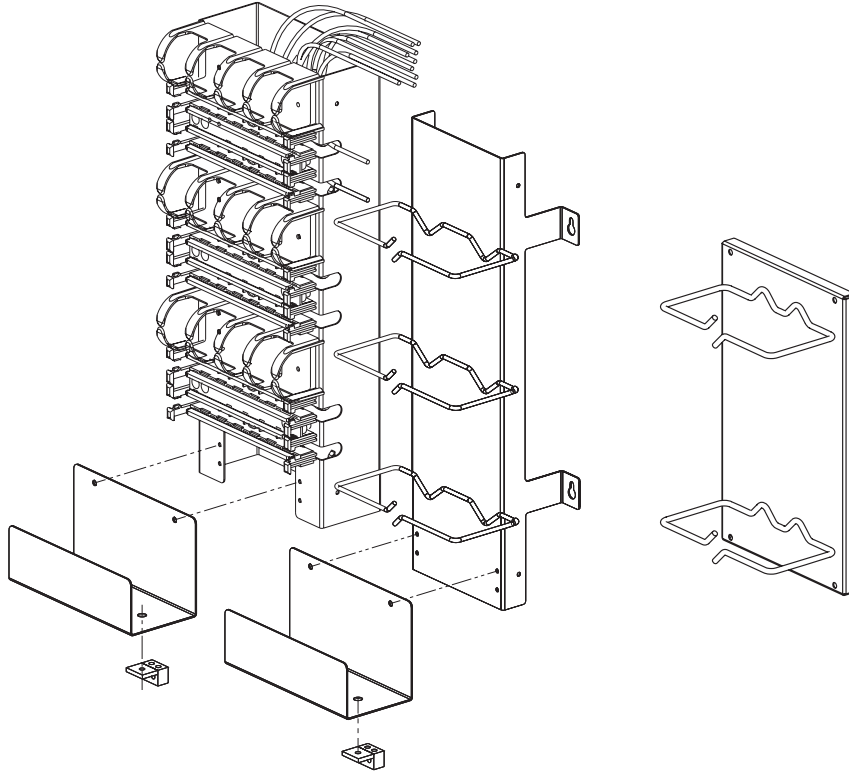


\* Denotes instruction sheet revision letter.

**CABLE REQUIREMENT: Terminates most 22-26 AWG solid or stranded IWC wire with a .050" (1.27mm) max. o.d., either PVC or Plenum rated.**

5. To help contain cross-connections, install vertical cable managers (P110VCM300) adjacent to towers using #12 wood screws (not provided) or equivalent.

Attach horizontal cable manager trough to towers and vertical cable managers using #12 sheet metal screws and #12 external tooth lockwashers (provided). Fasten securely to assure grounding. Attach ground lug (P/N:LAM2A2/0-14-6) with 1/4" x 3/4" machine screw, nut, and 1/4" external tooth lockwasher (provided), to the bottom of the horizontal cable manager trough.



<b>Component Quantity per Tower System</b>					
	<b>Base</b>	<b>Trough</b>	<b>Connecting Blocks</b>	<b>Label Holders</b>	<b>Labels</b>
<b>Part Number</b>	GPB24	P110JT	GPCB4	P110LH	DSLGP
GPKT724Y	3	3	72	6	6

**INSTALLATION TIPS:**

1. GIGA-PUNCH product terminates most 22-26 AWG solid or stranded IWC wire with a .050" (1.27mm) max. o.d., either PVC or Plenum rated.
2. Never install wire into a slot previously used for a larger gauge.
3. Be careful to strip back cable jacket only as required for termination.
4. Use care to maintain pair twists up to the termination strip.
5. When stripping cable jacket, be careful not to cut the insulation on the individual wires.
6. Avoid sharp bends when routing cable.

- As with all Wiring Accessories, the following statements apply:
1. Never install communications wiring during a lightning storm.
  2. Never install communications wiring in wet locations unless the product is specifically designed for use in wet locations.
  3. Never touch uninsulated communications wiring or terminals unless the communication line has been disconnected at the network interface.
  4. Use caution when installing or modifying communication wiring.

<p><b>For Instructions in Local Languages and Technical Support:</b>  <a href="http://www.panduit.com/resources/install_maintain.asp">www.panduit.com/resources/install_maintain.asp</a></p>	 <a href="http://www.panduit.com">www.panduit.com</a>	<p><b>E-mail:</b>  <a href="mailto:cs@panduit.com">cs@panduit.com</a></p> <p><b>Fax:</b>                  (708) 444-6993</p>
--	--	--