



# CABLE MANAGEMENT

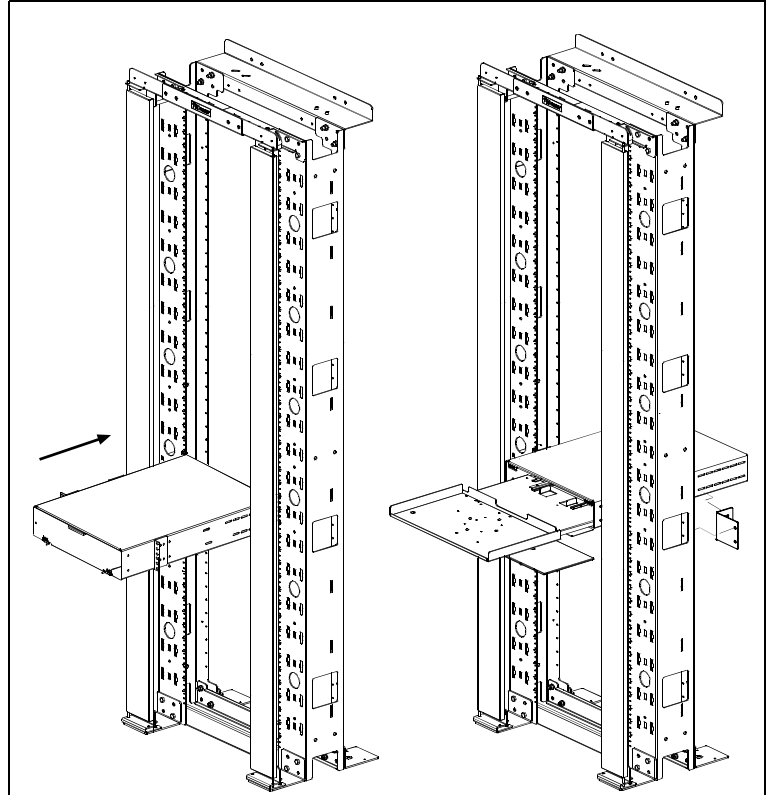
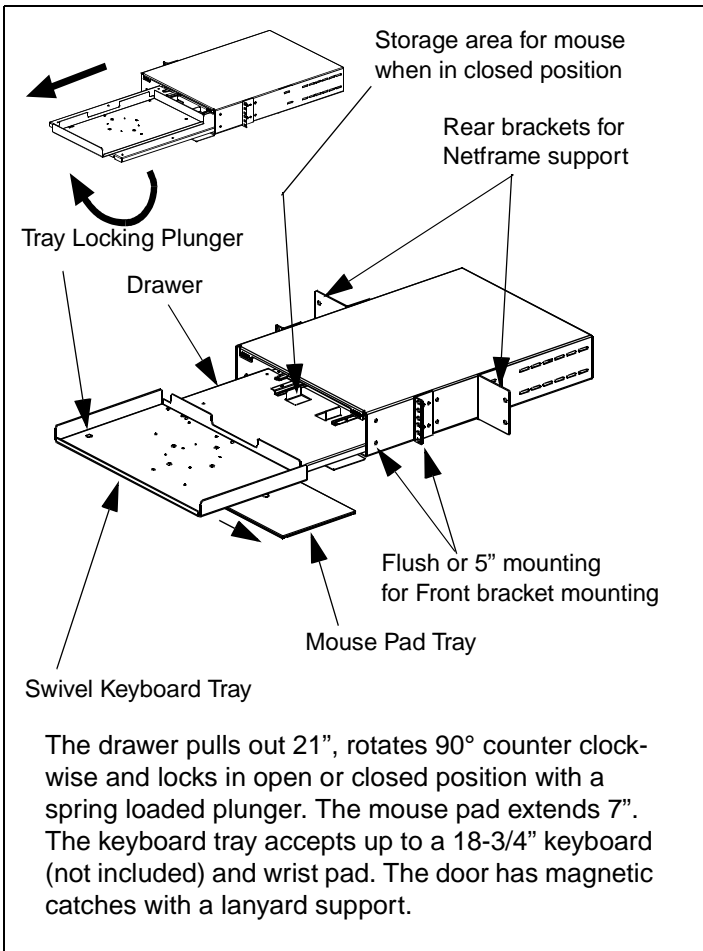
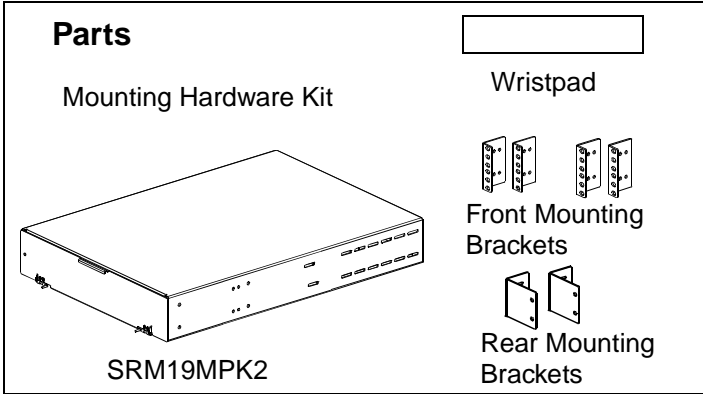
## Rack Shelf Mount for Monitor and Keyboard

Part Numbers: SRM19MPK2

### CM249 INSTALLATION INSTRUCTIONS

©Panduit Corp. 2001

Printed in U.S.A.



#### Installation:

Attach Front Brackets to enclosure with the #10-32x1/4 long screws provided. Enclosure can be located flush or at 5" mounting holes. Install enclosure to rack at desired height with #12-24x1/2 long screws provided.

#### In-cabinet Installation Note:

Front brackets can mount on side rear slots with the nuts and bolts provided for in-cabinet rear support mounting.

#### Netframe Installation Note:

Rear Mounting Brackets are provided with hardware to provide additional support for the Netframe installation.

WORLDWIDE SUSIDIARIES AND SALES OFFICES



412 Rockwell Court  
Burr Ridge, Illinois 60521

Technical Support: 866-405-6654  
Fax: 708-444-6993

E-mail: [info@panduit.com](mailto:info@panduit.com)  
Web site: [www.panduit.com/ncg](http://www.panduit.com/ncg)