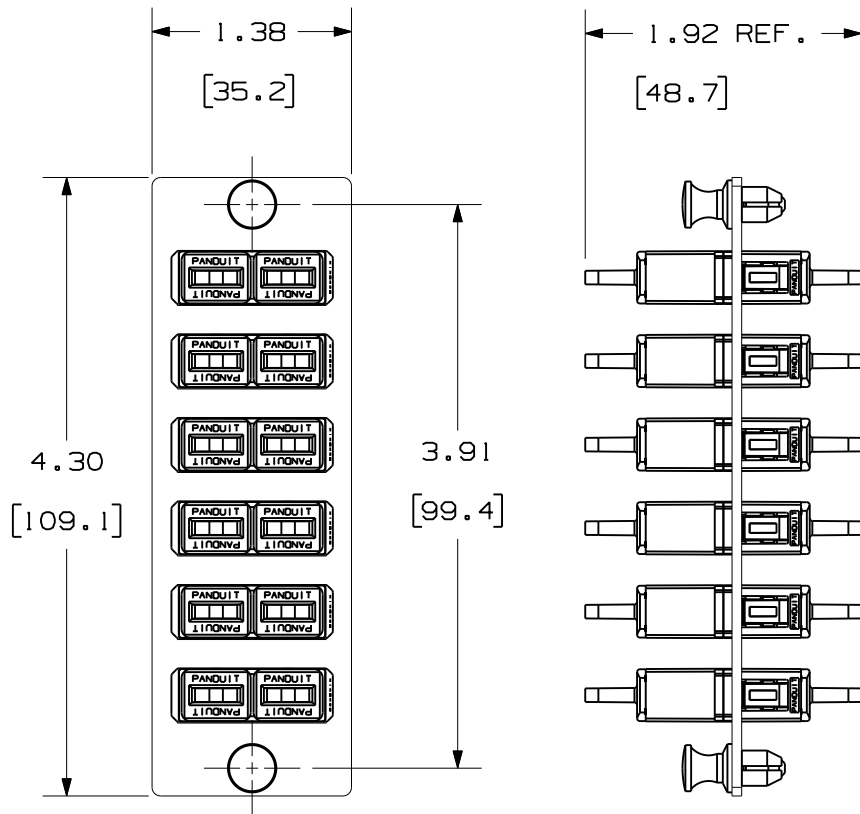


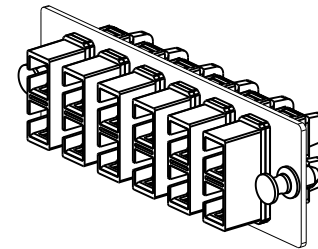
THIS COPY IS PROVIDED ON A RESTRICTED BASIS AND IS NOT TO BE USED IN ANY WAY DETRIMENTAL TO THE INTERESTS OF PANDUIT CORP.




PANDUIT P/N	ADAPTER COLOR	SPLIT SLEEVE TYPE
FAP6WAQDSC	AQUA	PHOS BRONZE
FAP6WBLDSC	BLACK	
FAP6WBUDSC	BLUE	
FAP6WEIDSC	ELECTRIC IVORY	ZIRCONIA
FAP6WAGDSCZ	APC GREEN	
FAP6WAQDSCZ	AQUA	
FAP6WBUDSCZ	BLUE	

NOTES:

- SEE CURRENT CATALOG FOR PART NUMBER SUFFIXES TO INDICATE COLOR AND/OR PACKAGE QUANTITIES.
- SEE CATALOG FOR COMPLETE LIST OF PARTS APPLICABLE FOR USE WITH THIS PRODUCT.
- MATERIALS:
 - PLATE: C.R.S. POWDER COATED
 - ADAPTER: COMPOSITE
 - SPLIT SLEEVE: SEE TABLE
- DIMENSIONS IN BRACKETS ARE METRIC.
- WEIGHT: 1.37 lbs [623.9 g] PER 10 PIECES.



REV	DATE	BY	CHK	DESCRIPTION	ECN	R	CUST	SUP	OTH
2	05-02-11	MC	MTV	RELEASED TO PRODUCTION	01945-32	MTV	CHDE		

6 POSITION DUPLEX SC FIBER ADAPTER PANEL CUSTOMER DRAWING	
 PANDUIT ™ CORP. TINLEY PARK, ILL 60477	
ALL DIMENSIONS ARE GIVEN IN INCHES UNLESS OTHERWISE SPECIFIED. DIMENSIONAL TOLERANCES ARE: (.X) (.XXX) ± .010 [0.3] (.XX) ± .03 [0.8] ANGLES	DRAWING FILENAME M01945AL_DC/01C SCALE NONE
DRAWN BY MC DATE 01-13-05 CHK'D PJI	REVIEW DRAWING NUMBERS PART NO. FAP6W••DSC FAP6W••DSCZ DRAWING NO. 01945-32 SIZE A