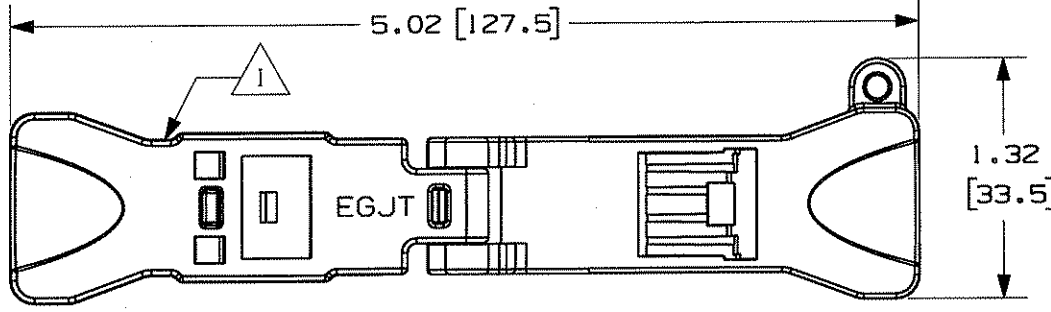
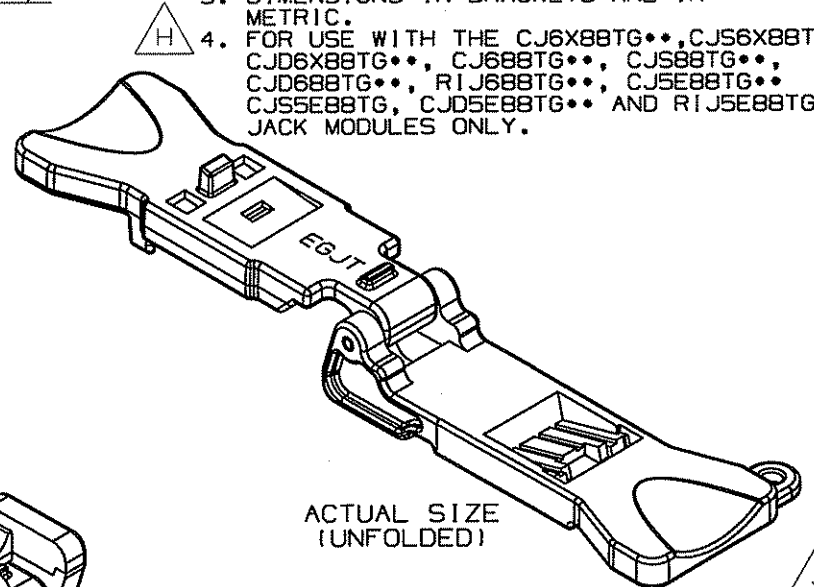
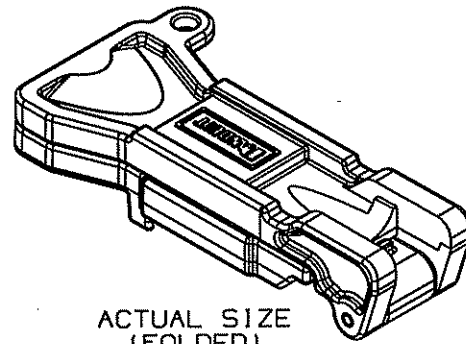
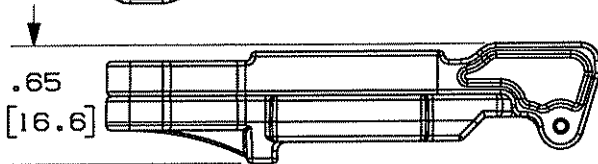
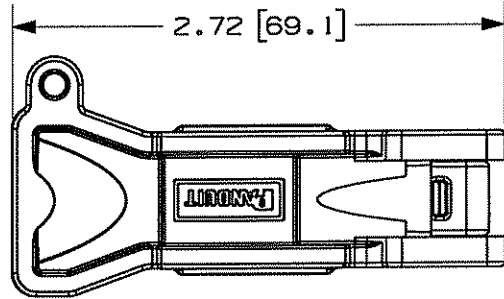
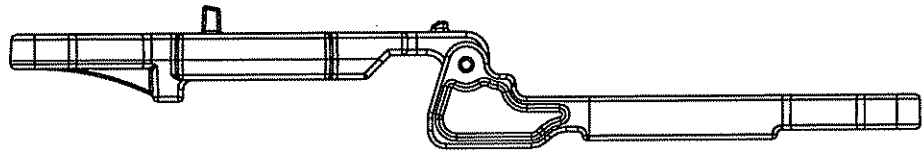


THIS COPY IS PROVIDED ON A RESTRICTED BASIS AND IS NOT TO BE USED IN ANY WAY DETRIMENTAL TO THE INTERESTS OF PANDUIT CORP.



PANDUIT P/N	WEIGHT
EGJT	.29 LB/10 PCS (131.6 g/10 PCS)

- NOTES:
- SEE CURRENT CATALOG FOR PACKAGE QUANTITY.
  - SEE CATALOG FOR COMPLETE LIST OF PARTS APPLICABLE FOR USE WITH THIS PART.
  - DIMENSIONS IN BRACKETS ARE IN METRIC.
  - FOR USE WITH THE CJ6X88TG\*\*, CJS6X88TG CJD6X88TG\*\*, CJ688TG\*\*, CJS88TG\*\*, CJD688TG\*\*, RIJ688TG\*\*, CJS5E88TG\*\*, CJS5E88TG, CJD5E88TG\*\* AND RIJ5E88TG\*\* JACK MODULES ONLY.



MODEL FILENAME	M01874AP/10	SIZE	A
DRAWING FILENAME	M01874AP_DC53/10A		

TG TERMINATION TOOL  
CUSTOMER DRAWING



1.1. NUMBER	NS-1327
PRODUCT SPEC/ PKG SPEC	PS-NS-789
ASSY METHOD/ TEST METHOD	
SCALE	FULL
PART NO.	EGJT
DRAWING NO.	01874-53

THIRD ANGLE PROJECTION	ALL DIMENSIONS ARE GIVEN IN INCHES, UNLESS OTHERWISE SPECIFIED.
DRAWN BY	REVIEW DRAWING NUMBERS
LZ	01847-50, 01847-51
DATE	01847-52, 02436-04
10-14-04	MAT'L
CHK'D	G GLASS FILLED NYLON
PBD	

REV	DATE	BY	CHK	DESCRIPTION	ECN	R	CUST	SUP	OTH
07	08-10-08	AGF	JH	J. UPDATED ASSEMBLY TO REV 10	01874-53				
06	4-26-06	LZ	PBD	I. UPDATED SADDLE MODEL	01874-53	TJBU			
05	4-1-05	LZ	PBD	MODULES ABLE TO TERMINATE H. UPDATED NOTE 4 WITH CURRENT JACK G. UPDATED MAT'L NOTE	01874-53	TJBU			
R	10-14-04	LZ		DRAWING RELEASED					