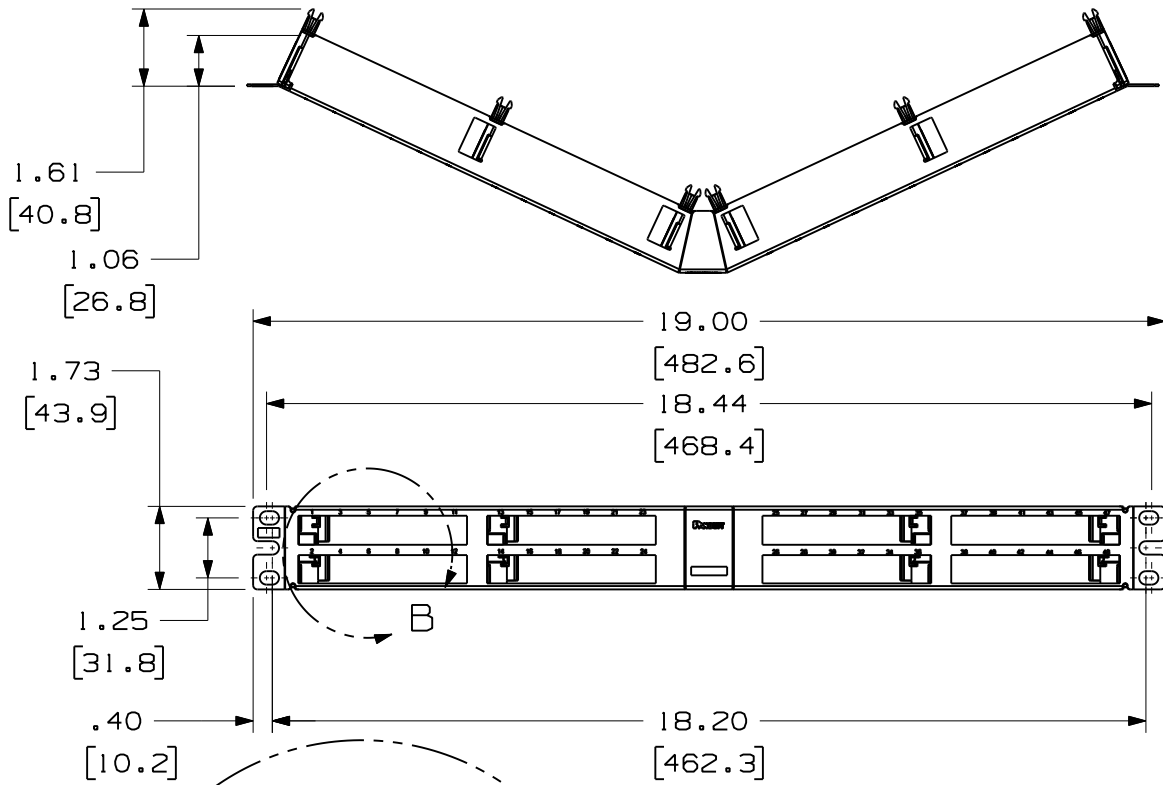
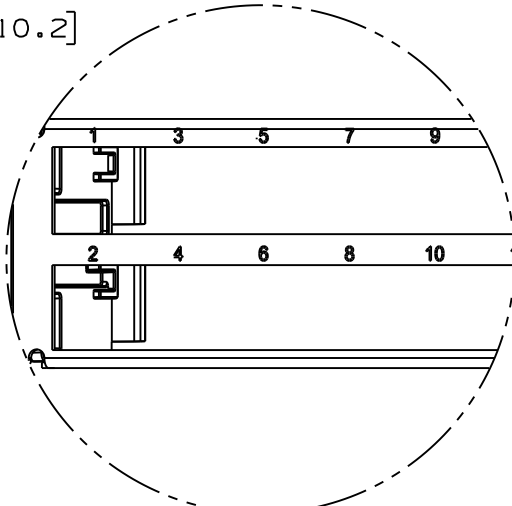
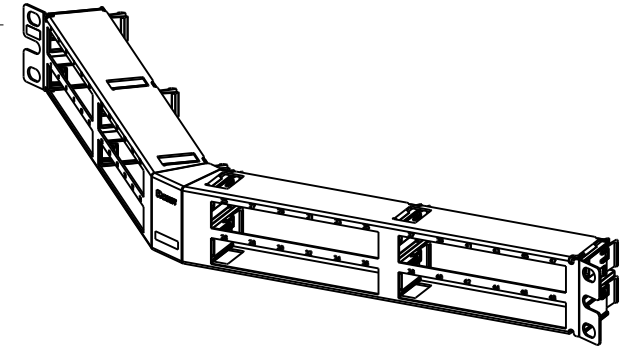


THIS COPY IS PROVIDED ON A RESTRICTED BASIS AND IS NOT TO BE USED IN ANY WAY DETRIMENTAL TO THE INTERESTS OF PANDUIT CORP.



PANDUIT PART NO.	WEIGHT (APPOX.)
QAPP48HDVNSBL	0.65 lb (294.8 g)

- NOTES:
- SEE CURRENT CATALOG FOR VARIOUS APPLICATIONS.
 - THE PATCH PANEL HAS A VERTICAL NUMBERING SEQUENCE AND IS DESIGNED FOR MOUNTING TO 19" UNIVERSAL RACKS.
 - DIMENSIONS IN BRACKETS ARE IN METRIC.
 - PACKAGE CONTENTS:
 1- METAL STAMPING WITH SLIDE GUIDES
 1- SCREW KIT (INCLUDES FOUR #12-24 SCREWS)
 1- SCREW KIT (INCLUDES FOUR M6 SCREWS)



DETAIL B
SCALE 0.750x

MODEL FILENAME M02582DJ_48PORT_1RU_ANG_CISCO_00	SIZE A
DRAWING FILENAME M02582DJ_DC64_00A.PRT	
TITLE QUICKNET 48 PORT ANGLED PATCH PANEL WITH VERTICAL NUMBERING SEQUENCE CUSTOMER DRAWING	
PANDUIT TM CORP. TINLEY PARK, ILL 60477	I.I. NUMBER
	PRODUCT SPEC
THIRD ANGLE PROJECTION	WORK INSTRUCTION
	SCALE .25 TO 1
ALL DIMENSIONS ARE GIVEN IN INCHES, UNLESS OTHERWISE SPECIFIED. DIMENSIONAL TOLERANCES ARE: (.X) ±.03 (.XXX) ±.005 (.XX) ±.01 ANGLES ± 1°	PART NO. QAPP48HDVNSBL
DRAWN BY MDJr	MATERIAL: PANEL: CRS GUIDES: ABS
DATE 9-01-06	DRAWING NO. 02582-64
CHK'D WFMI	

REV	DATE	BY	CHK	DESCRIPTION	ECN	R	CUST	SUP	OTH
R	1-02-08	MDJr	WFMI	RELEASED TO PRODUCTION	02582-64		TRW		